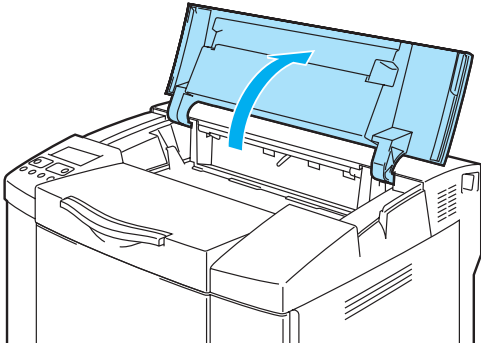


Repacking Information

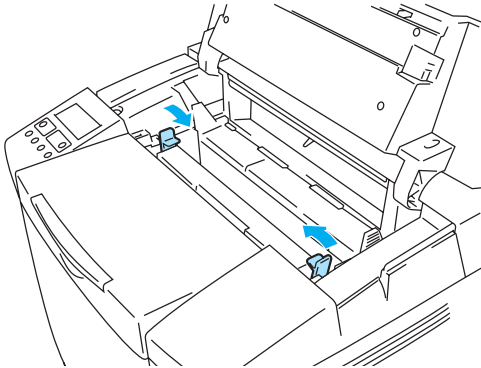
If for any reason you must move or ship your Printer, carefully re-pack the Printer in the original packing to avoid any damage during transport. It is strongly recommended that you save and use the original packaging. The Printer should also be adequately insured with your carrier.

- 1 Turn off the printer power switch, and then unplug the printer. Disconnect the interface cable from the printer.

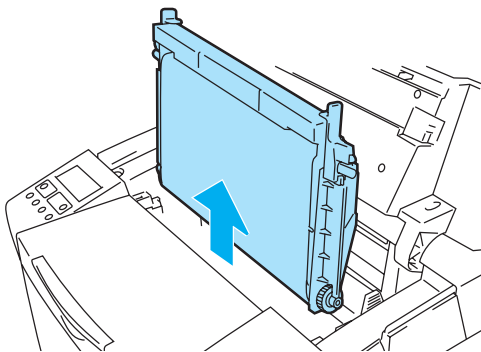
- 2 Open the top cover of the printer.



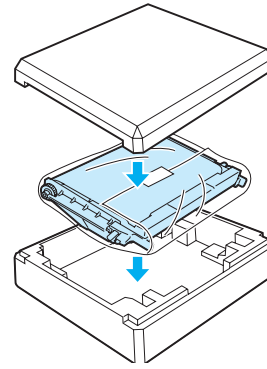
- 3 To release the lock, push the green belt cartridge lock levers on both sides inwards.



- 4 Remove the OPC belt cartridge from the printer.

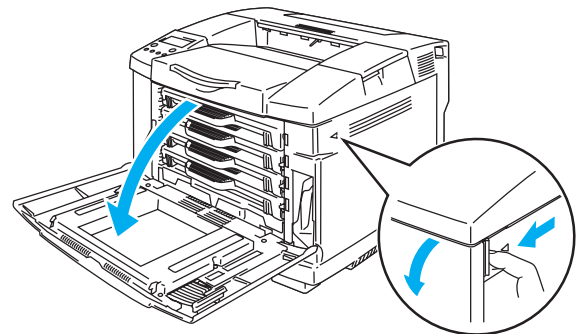


- 5 Place the OPC belt cartridge into the plastic bag, and then put it in the original box.

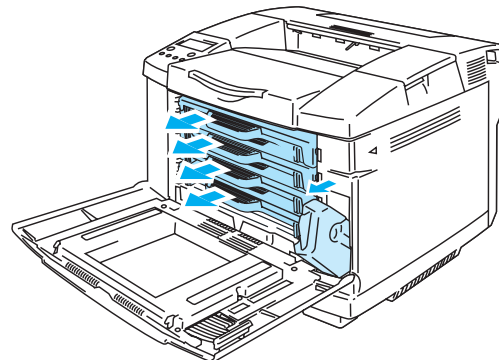


- 6 Close the top cover.

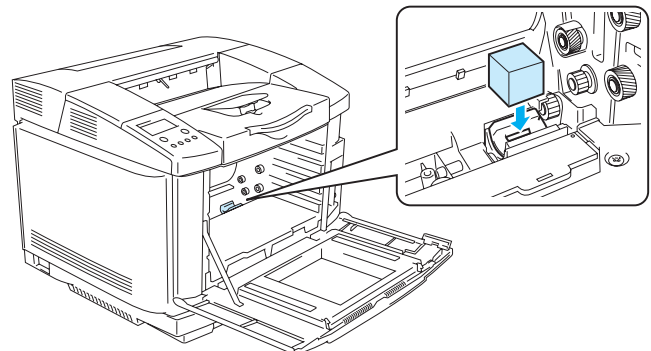
- 7 Open the front cover of the printer.



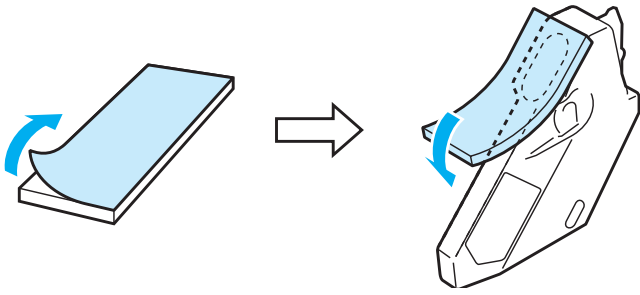
- 8 Pull out all the toner cartridges and waste toner pack from the printer.



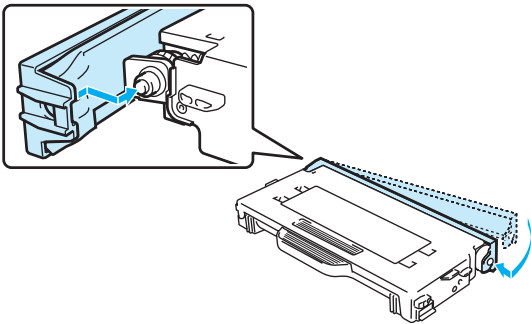
- 9 To avoid spreading the toner, plug the supplied protective sponge into the area of the printer as shown in the illustration.



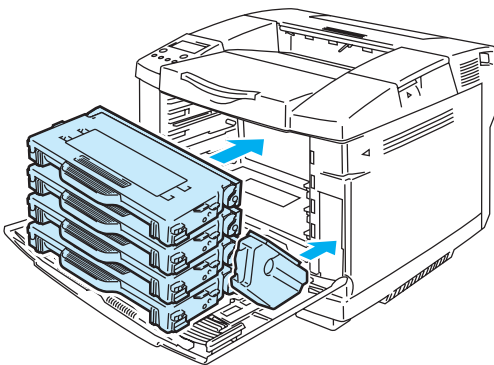
- 10** Remove the tape from the supplied protective sponge, and then cover the opening of the waste toner pack as shown in the illustration.



- 11** Fit an orange protective cover to each of the toner cartridges. Secure it with tape.

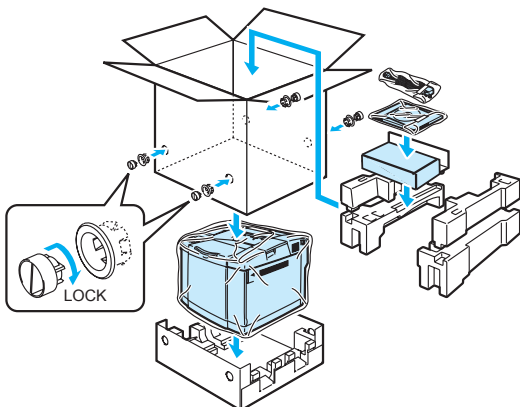


- 12** Put all the toner cartridges and waste toner pack into the printer.



- 13** Close the front cover, and then place the printer into the plastic bag.

- 14** Re-pack the printer, OPC belt cartridge and all accessories into the carton.



- 15** Securely fasten the carton with packing tape.

