

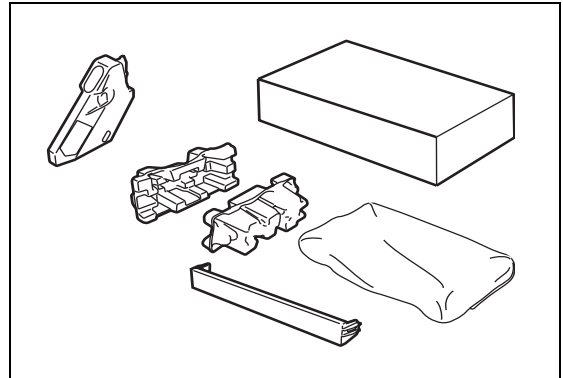
Repacking Information

If for any reason you must ship your Printer, carefully re-pack the Printer in the original packing to avoid any damage during transmit. It is strongly recommended that you save and use the original packaging. The Printer should also be adequately insured with the carrier.

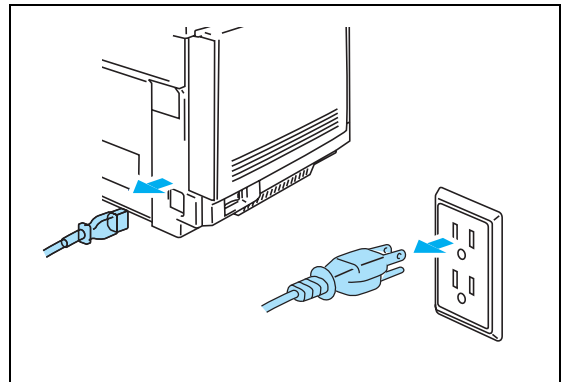
To get a Repacking kit, call your Customer Support Center.

The repacking kit contains:

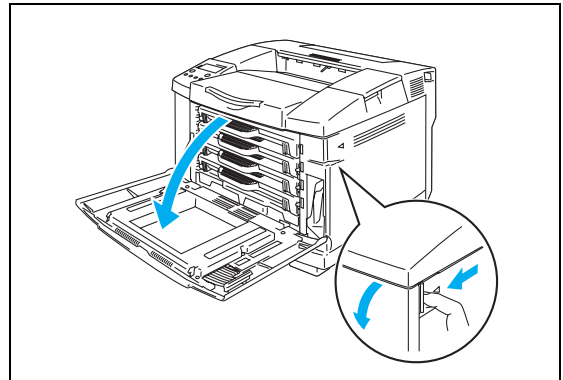
- 4 toner boxes
- 4 toner protective covers
- 4 toner bags
- 4 packing materials for toner
- 1 waste toner pack



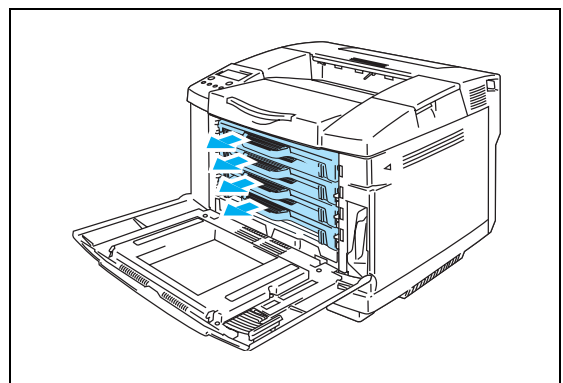
- 1 Turn off the printer power switch, and then unplug the printer. Disconnect the interface cable from the printer.



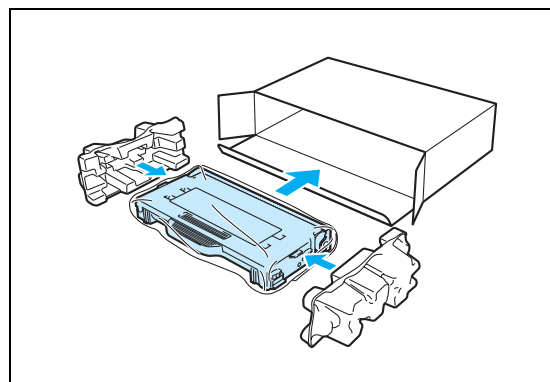
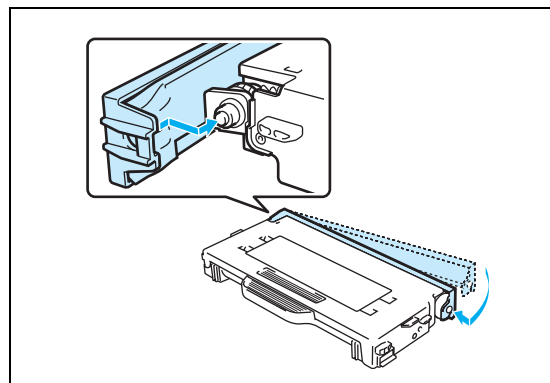
- 2 Open the front cover of the printer.



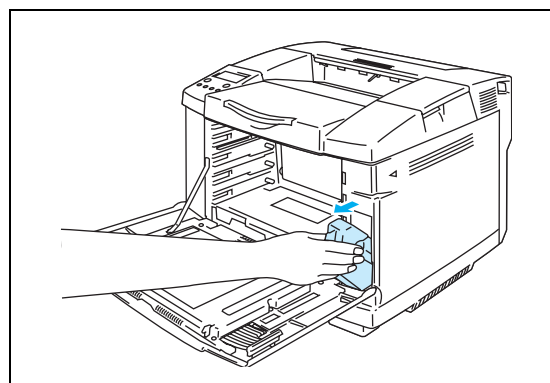
- 3 Pull out all the toner cartridges from the printer.



- 4 Fit an orange protective cover to each of the toner cartridges.
- 5 Put the toner cartridge in one of the toner bags, fit a left and right packing material and then put the toner cartridge in the toner box.
- 6 Remove the waste toner pack from its holder, being careful not to spill the toner.
- 7 Take the cap off the new waste toner pack, and put the cap on the used waste toner pack.
- 8 Put the new waste toner pack into the waste toner pack holder.
- 9 Close the front cover.
- 10 Re-pack the printer into the carton.



- 6 Remove the waste toner pack from its holder, being careful not to spill the toner.
- 7 Take the cap off the new waste toner pack, and put the cap on the used waste toner pack.
- 8 Put the new waste toner pack into the waste toner pack holder.
- 9 Close the front cover.
- 10 Re-pack the printer into the carton.



- 7 Take the cap off the new waste toner pack, and put the cap on the used waste toner pack.
- 8 Put the new waste toner pack into the waste toner pack holder.
- 9 Close the front cover.
- 10 Re-pack the printer into the carton.
- 11 Securely fasten the carton with packing tape as show in the illustration

