



# Online User's Guide

**HL-L8430CDW**

**HL-L8570CDW**

## Table of Contents

<b>Before You Use Your Machine</b> .....	<b>1</b>
Definitions of Notes .....	2
Trademarks .....	3
Open Source Licensing .....	4
Copyright and License .....	5
Important Notes.....	6
<b>Introduction to Your Machine</b> .....	<b>7</b>
Before Using Your Machine .....	8
Front View and Back View .....	9
Control Panel Overview .....	11
Touchscreen LCD Overview.....	12
How to Navigate the Touchscreen LCD .....	14
How to Enter Text on Your Machine .....	15
Access Brother Utilities (Windows) .....	16
Uninstall the Software and Drivers (Windows).....	17
Access Brother iPrint&Scan (Windows/Mac) .....	18
Input/Output Port Locations on Your Machine .....	19
<b>Paper Handling</b> .....	<b>20</b>
Load Paper.....	21
Load Paper in the Paper Tray .....	22
Load Paper in the Multi-purpose Tray (MP Tray) .....	25
Load and Print Labels Using the MP Tray.....	28
Load and Print Envelopes Using the MP Tray.....	30
Paper Settings.....	32
Change the Paper Size and Paper Type.....	33
Change the Check Paper Setting.....	34
Unprintable Area .....	35
Using Special Paper.....	36
<b>Print</b> .....	<b>37</b>
Print from Your Computer (Windows).....	38
Print a Document (Windows).....	39
Print on Both Sides of the Paper (Windows) .....	41
Secure Print (Windows).....	44
Change the Default Print Settings (Windows) .....	45
Print Settings (Windows) .....	47
Print a Document Using the BR-Script3 Printer Driver (PostScript® 3™ Language Emulation) (Windows) .....	52
Print from Your Computer (Mac) .....	53
Load and Print Envelopes Using the MP Tray .....	54
Print an Email Attachment.....	56
Secure Print Using a USB Flash Drive.....	57
Print Data Directly from a USB Flash Drive or Digital Camera Supporting Mass Storage.....	59
Print Duplicate Copies.....	61
Cancel a Print Job.....	62
Universal Print.....	63

Universal Print Overview .....	64
Configure Universal Print .....	65
Add a Universal Print-enabled Printer to Your Computer .....	66
Deregister Your Machine from Universal Print .....	67
<b>Network .....</b>	<b>68</b>
Supported Basic Network Features .....	69
Configure Network Settings .....	70
Configure Network Details Using the Control Panel.....	71
Wireless Network Settings .....	72
Use the Wireless Network .....	73
Use Wi-Fi Direct® .....	85
Enable/Disable Wireless LAN .....	89
Print the WLAN Report.....	90
Network Features.....	94
Configure the Proxy Server Settings Using Web Based Management .....	95
Print the Network Configuration Report.....	96
Synchronise Time with the SNTP Server Using Web Based Management .....	97
Gigabit Ethernet (Wired Network Only).....	100
Use Global Network Detection Features.....	101
Reset the Network Settings to the Factory Settings.....	104
Brother Management Tools.....	105
<b>Security .....</b>	<b>106</b>
<b>Mobile/Web Connect.....</b>	<b>107</b>
Brother Web Connect.....	108
Brother Web Connect Overview .....	109
Online Services Used with Brother Web Connect.....	111
Set Up Brother Web Connect.....	112
Download and Print Documents Using Brother Web Connect.....	119
AirPrint .....	120
AirPrint Overview.....	121
Before Using AirPrint (macOS) .....	122
Print Using AirPrint.....	123
Mopria™ Print Service.....	126
Brother Mobile Connect .....	127
<b>Troubleshooting .....</b>	<b>128</b>
<b>Routine Maintenance .....</b>	<b>129</b>
Replace Supplies .....	130
Replace the Toner Cartridge .....	133
Replace the Drum Unit .....	136
Replace the Belt Unit.....	140
Replace the Waste Toner Box.....	143
Replace the Fuser Unit.....	147
Replace the Paper Feeding Kit for the Multi-purpose (MP) Tray.....	149
Clean the Machine .....	153
Clean the Touchscreen LCD .....	155
Clean the Corona Wires.....	156








Clean the Drum Unit.....	159
Clean the Paper Pick-up Rollers .....	163
Correct Colour Printing.....	165
Set the Auto Correction Function .....	166
Reset the Machine's Colour Correction Settings.....	167
Check the Remaining Part Life .....	168
Monitor Machine Status Using Brother iPrint&Scan (Windows/Mac).....	169
Check the Machine Information .....	171
Update Your Machine's Firmware .....	172
Reset Functions .....	173
Machine Reset .....	174
Network Reset.....	175
Factory Reset.....	176
Pack and Ship Your Machine .....	177
<b>Machine Settings.....</b>	<b>180</b>
Check Your Machine's Password.....	181
Change Machine Settings from the Control Panel.....	182
General Settings.....	183
Settings and Features Tables.....	194
Change Machine Settings Using Web Based Management .....	207
What is Web Based Management?.....	208
Access Web Based Management .....	209
Change the Login Password Using Web Based Management .....	212
<b>Appendix.....</b>	<b>213</b>
Specifications .....	214
Supplies .....	221
Important Information About Toner Cartridge Life .....	227
Accessories.....	228
Brother Help and Customer Support.....	229

## Before You Use Your Machine

- [Definitions of Notes](#)
- [Trademarks](#)
- [Open Source Licensing](#)
- [Copyright and License](#)
- [Important Notes](#)

## Definitions of Notes

We use the following symbols and conventions throughout this User's Guide:

 <b>WARNING</b>	WARNING indicates a potentially hazardous situation which, if not avoided, could result in death or serious injuries.
 <b>CAUTION</b>	CAUTION indicates a potentially hazardous situation which, if not avoided, may result in minor or moderate injuries.
<b>IMPORTANT</b>	IMPORTANT indicates a potentially hazardous situation which, if not avoided, may result in damage to property or loss of product functionality.
<b>NOTE</b>	NOTE specifies the operating environment, conditions for installation, or special conditions of use.
	Tips icons indicate helpful hints and supplementary information.
	Electrical Hazard icons alert you to possible electrical shock.
	Fire Hazard icons alert you to the possibility of a fire.
	Hot Surface icons warn you not to touch hot machine parts.
	Prohibition icons indicate actions you must not perform.
<b>Bold</b>	Bold style identifies buttons on the machine's control panel or computer screen.
<i>Italics</i>	Italicised style emphasises an important point or refers you to a related topic.
Courier New	Courier New font identifies messages shown on the machine's LCD.

### Related Information

- [Before You Use Your Machine](#)

## Trademarks

Apple, App Store, AirPrint, Mac, macOS, iPadOS, iPad, iPhone, iPod touch, and Safari are trademarks of Apple Inc., registered in the U.S. and other countries.

Adobe®, Reader®, PostScript and PostScript 3 are either registered trademarks or trademarks of Adobe Systems Incorporated in the United States and/or other countries.

Wi-Fi®, Wi-Fi Alliance®, and Wi-Fi Direct® are registered trademarks of Wi-Fi Alliance®.

WPA™, WPA2™, WPA3™, Wi-Fi CERTIFIED™, and Wi-Fi Protected Setup™ are trademarks of Wi-Fi Alliance®.

Android, Google Drive, Google Play and ChromeOS™ are trademarks of Google LLC. Use of these trademarks is subject to Google Permissions.

Mopria™ and the Mopria™ Logo are registered and/or unregistered trademarks and service marks of Mopria Alliance, Inc. in the United States and other countries. Unauthorised use is strictly prohibited.

EVERNOTE is a trademark of Evernote Corporation and used under a license.

The Bluetooth® word mark is a registered trademark owned by Bluetooth SIG, Inc. and any use of such marks by Brother Industries, Ltd. is under license. Other trademarks and trade names are those of their respective owners.

QR Code is a registered trademark of DENSO WAVE INCORPORATED.

Linux® is the registered trademark of Linus Torvalds in the U.S. and other countries.

Each company whose software title is mentioned in this manual has a Software Licence Agreement specific to its proprietary programs.

### Software Trademarks

FlashFX® is a registered trademark of Datalight, Inc.

FlashFX® Pro™ is a trademark of Datalight, Inc.

FlashFX® Tera™ is a trademark of Datalight, Inc.

Reliance™ is a trademark of Datalight, Inc.

Reliance Nitro™ is a trademark of Datalight, Inc.

Datalight® is a registered trademark of Datalight, Inc.

**Any trade names and product names of companies appearing on Brother products, related documents and any other materials are all trademarks or registered trademarks of those respective companies.**



### Related Information

- [Before You Use Your Machine](#)

## Open Source Licensing

This product includes open source software.

To view Open Source Licensing Remarks and Copyright Information, go to your model's **Manuals** page at [support.brother.com/manuals](http://support.brother.com/manuals).



### Related Information

- [Before You Use Your Machine](#)
-

## Copyright and License

©2025 Brother Industries, Ltd. All rights reserved.

This product includes software developed by the following vendors:

This product includes the "KASAGO TCP/IP" software developed by ZUKEN ELMIC, Inc.

Copyright 1989-2020 Datalight, Inc., All Rights Reserved.

FlashFX® Copyright 1998-2020 Datalight, Inc.



### Related Information

- [Before You Use Your Machine](#)
-

## Important Notes

- Check [support.brother.com/downloads](https://support.brother.com/downloads) for Brother driver and software updates.
- To keep your machine performance up to date, check [support.brother.com/downloads](https://support.brother.com/downloads) for the latest firmware upgrade. Otherwise, some of your machine's functions may not be available.
- Do not use this product outside the country of purchase as it may violate the wireless telecommunication and power regulations of that country.
- Not all models are available in all countries.
- Before giving your machine to anyone else, replacing it, or disposing of it, we strongly recommend resetting it to its factory settings to remove all personal information.
- Windows 10 in this document represents Windows 10 Home, Windows 10 Pro, Windows 10 Education, and Windows 10 Enterprise.
- Windows 11 in this document represents Windows 11 Home, Windows 11 Pro, Windows 11 Education, and Windows 11 Enterprise.
- For macOS v15 Users:  
This machine supports macOS v15.  
For machine setup and software installation instructions, see the *Quick Setup Guide* included in the carton.  
All features in macOS v13 and macOS v14 are available in the macOS v15 environment and work in a similar way.
- The screens or images in this User's Guide are for illustration purposes only and may differ from those of the actual products.
- The screens in this manual may differ from the screens on your computer depending on your operating system.
- The contents of this document and the specifications of this product are subject to change without notice.
- Not all features are available in countries subject to applicable export restrictions.



### Related Information

- [Before You Use Your Machine](#)

## Introduction to Your Machine

- [Before Using Your Machine](#)
- [Front View and Back View](#)
- [Control Panel Overview](#)
- [Touchscreen LCD Overview](#)
- [How to Navigate the Touchscreen LCD](#)
- [How to Enter Text on Your Machine](#)
- [Access Brother Utilities \(Windows\)](#)
- [Access Brother iPrint&Scan \(Windows/Mac\)](#)
- [Input/Output Port Locations on Your Machine](#)

## Before Using Your Machine

Before attempting any printing operation, confirm the following:

- Make sure you have installed the correct software and drivers for your machine.
- For USB or network cable users: Make sure the interface cable is physically secure.

### Firewall (Windows)

If your computer is protected by a firewall and you are unable to network print, you may need to configure the firewall settings. If you are using the Windows Firewall and you installed the drivers using the steps in the installer, the necessary firewall settings have been already set. If you are using any other personal firewall software, see the User's Guide for your software or contact the software manufacturer.

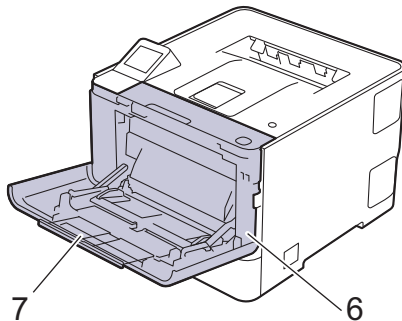
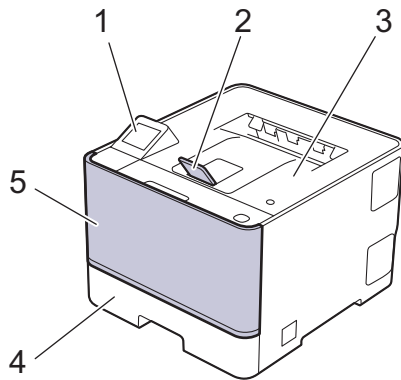


### Related Information

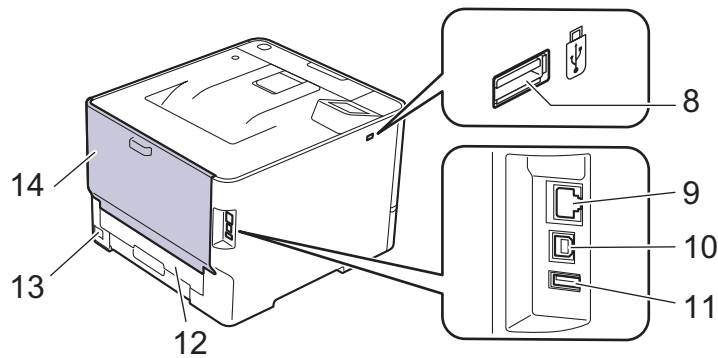
- [Introduction to Your Machine](#)
-

## Front View and Back View

### Front View



### Back View



1. Touch panel with touchscreen LCD
2. Face-down output tray support flap
3. Face-down output tray
4. Paper tray
5. Multi-purpose tray (MP tray) cover
6. Front cover
7. Multi-purpose tray (MP tray)
8. USB accessory port (Front)
9. 10BASE-T / 100BASE-TX / 1000BASE-T port
10. USB port
11. USB accessory port (Rear) (HL-L8570CDW)
12. 2-sided tray
13. AC power connector / cord

---

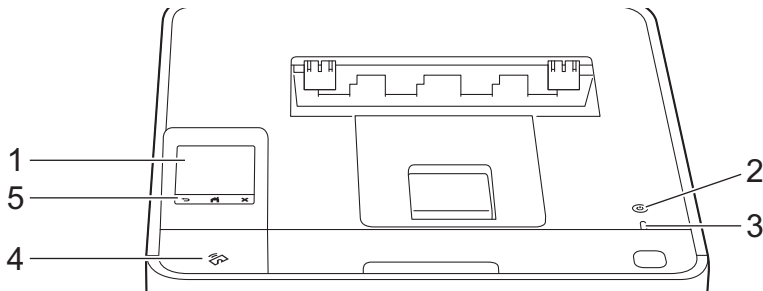
14. Back cover (Face-up output tray)



### **Related Information**

- [Introduction to Your Machine](#)
-



## Control Panel Overview



### 1. Touchscreen Liquid Crystal Display (LCD)

Access menus and options by pressing them on the touchscreen.

### 2. Power On/Off

- Turn the machine on by pressing .
- Turn the machine off by holding down .

### 3. LED Power Indicator

The LED lights up depending on the machine's power status.

### 4. Near Field Communication (NFC)

You can use card authentication by touching the IC card to the NFC Reader on the control panel.

### 5. Touchpanel

#### (Back)

Press to go back to the previous menu.

#### (Home)

Press to return to the Home screen.

#### (Cancel)

Press to cancel an operation. Press to cancel a programmed print job and clear it from the machine's memory.

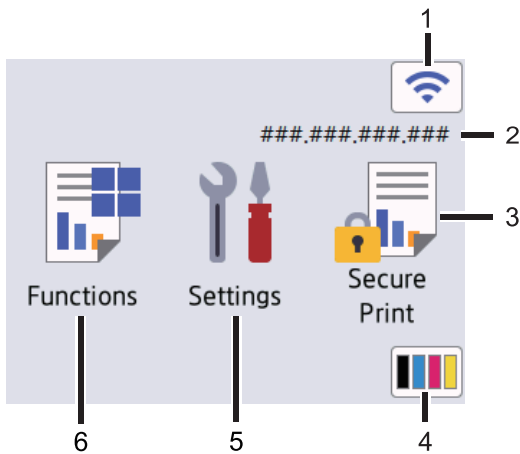
### Related Information

- [Introduction to Your Machine](#)

## Touchscreen LCD Overview

From the Home screen, you can access the various settings.

The Home screen displays the machine's status when the machine is idle.




### 1. (Wireless Status)

Press to configure wireless settings.

If you are using a wireless connection, a four-level indicator on the Home screen displays the current wireless signal strength.



If you see  displayed as the wireless status, press it to select a wireless connection method or configure an existing wireless connection.

### 2. IP Address

If the IP Address setting in the Screen Settings menu is turned on, your machine's IP Address appears on the Home screen.

### 3. [Secure Print]

Press to access the Secure Print option.


### 4. (Toner)

Displays the remaining toner life. Press to access the [Toner] menu.

### 5. [Settings]

Press to access the [Settings] menu.

Use the Settings menu to access all of your machine's settings.

If the Setting Lock is set to On, a lock icon  appears on the LCD. You must unlock the machine to change any settings.

### 6. [Functions]


Press to access the Functions screen.

-  [Web]

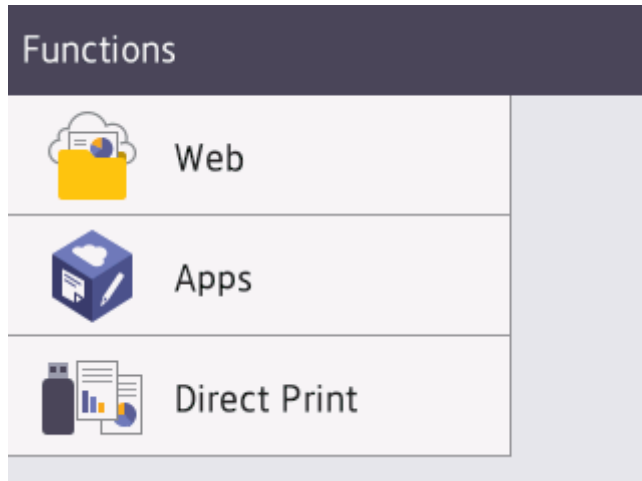
Press to connect your machine to an Internet service.

-  [Apps]

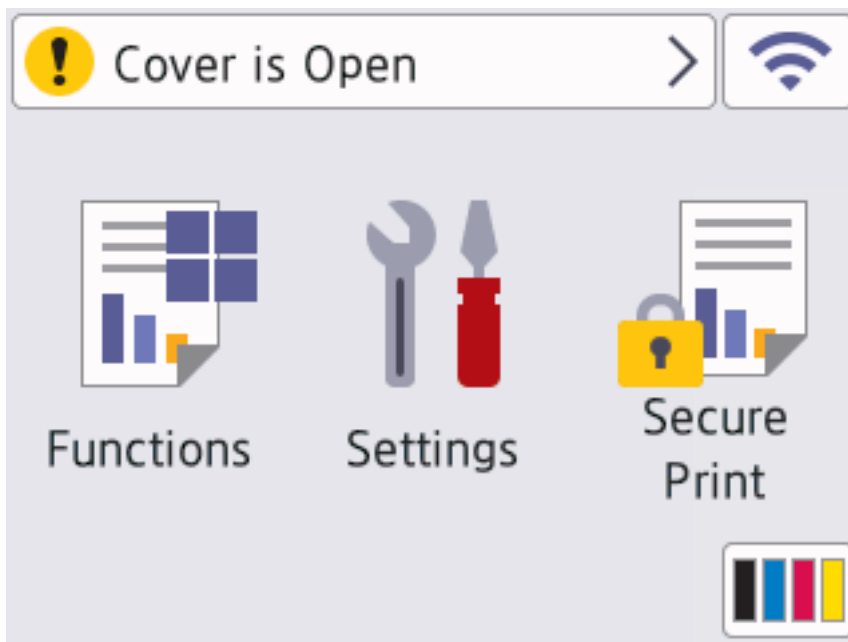
Press to connect your machine to the Brother Apps service.




-  [Direct Print]

Press to access the Direct Print menu.



#### Warning icon



The warning icon  appears when there is an error or maintenance message. Press  to view it, address the issue, and then press  to return to Ready Mode.

#### Related Information

- [Introduction to Your Machine](#)

## How to Navigate the Touchscreen LCD

Press your finger on the LCD to operate it. To display and access all the options, press ▲ or ▼ on the LCD to scroll through them.

### IMPORTANT

DO NOT press the LCD with a sharp object such as a pen or stylus. It may damage the machine.

### NOTE

DO NOT touch the LCD immediately after plugging in the power cord or turning on the machine. Doing this may cause an error.



This product uses fonts owned by ARPHIC TECHNOLOGY CO., LTD.




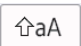
### Related Information

- [Introduction to Your Machine](#)

## How to Enter Text on Your Machine

- When you must enter text on your machine, a keyboard appears on the LCD.
- The characters that are available may differ depending on your country.
- The keyboard layout may differ depending on the operation you perform.






- Press  to cycle between letters, numbers, and special characters.
- Press  to cycle between lowercase and uppercase letters.
- To move the cursor to the left or right, press ◀ or ▶.

### Inserting spaces

- To enter a space, press [Space].

### Making corrections

- If you entered a character incorrectly and want to change it, press ◀ or ▶ to move the cursor to the incorrect character and press . Enter the correct character.
- To insert a character, press ◀ or ▶ to move the cursor to the correct place, and then enter the character.
- Press  for each character you want to erase, or press and hold  to erase all the characters.





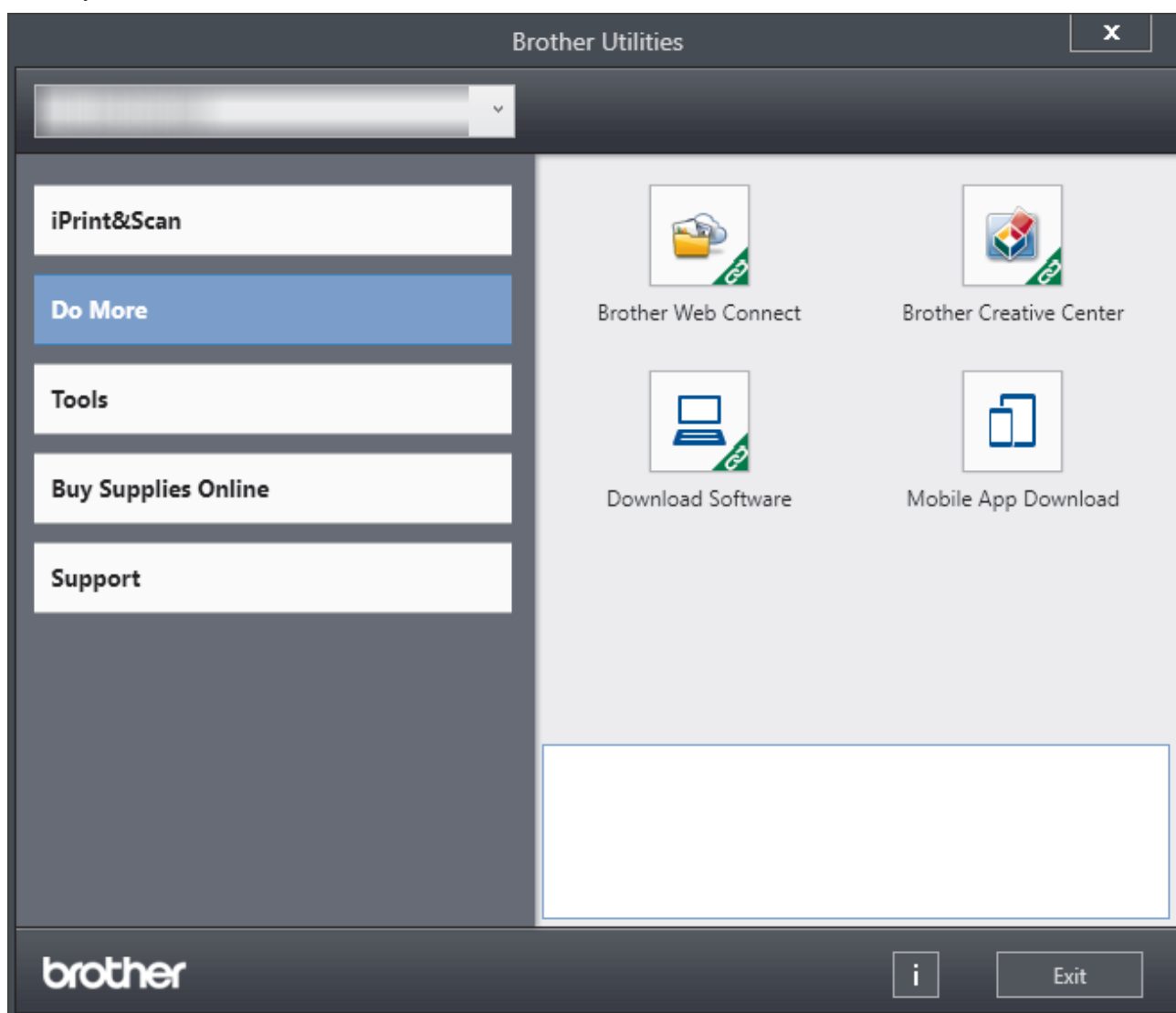
### Related Information

- [Introduction to Your Machine](#)

## Access Brother Utilities (Windows)

**Brother Utilities** is an application launcher that offers convenient access to all Brother applications installed on your computer.

1. Do one of the following:
  - (Windows 11)  
Click  > **All apps** > **Brother** > **Brother Utilities**.
  - (Windows 10, Windows Server 2016, Windows Server 2019, and Windows Server 2022)  
Click  > **Brother** > **Brother Utilities**.
2. Select your machine.





3. Choose the option you want.

### Related Information

- [Introduction to Your Machine](#)
  - [Uninstall the Software and Drivers \(Windows\)](#)

## Uninstall the Software and Drivers (Windows)

1. Do one of the following:
  - Windows 11  
Click  > **All apps** > **Brother** > **Brother Utilities**.
  - Windows 10, Windows Server 2016, Windows Server 2019, and Windows Server 2022  
Click  > **Brother** > **Brother Utilities**.
2. Select your model from the drop-down list (if it is not already selected).
3. Click **Tools** in the left navigation bar.
  - If the **Software Update Notification** icon is visible, select it, and then click **Check now** > **Check for Software Updates** > **Update**. Follow the on-screen instructions.
  - If the **Software Update Notification** icon is not visible, go to the next step.
4. Click **Uninstall** in the **Tools** section of **Brother Utilities**.  
Follow the instructions in the dialog box to uninstall the software and drivers.



### Related Information

- [Access Brother Utilities \(Windows\)](#)

## Access Brother iPrint&Scan (Windows/Mac)

Use Brother iPrint&Scan for Windows and Mac to print from your computer.

- This function is not available in countries subject to applicable export regulations.
  - **To download the latest version:**
    - For Windows:  
Go to your model's **Downloads** page at [support.brother.com/downloads](http://support.brother.com/downloads), and then download and install Brother iPrint&Scan.
    - For Mac:  
Download and install Brother iPrint&Scan from the Apple App Store.
- If prompted, install the driver and software necessary to use your machine. Download your machine's latest driver and software from your model's **Downloads** page at [support.brother.com/downloads](http://support.brother.com/downloads).

### 1. Start Brother iPrint&Scan.

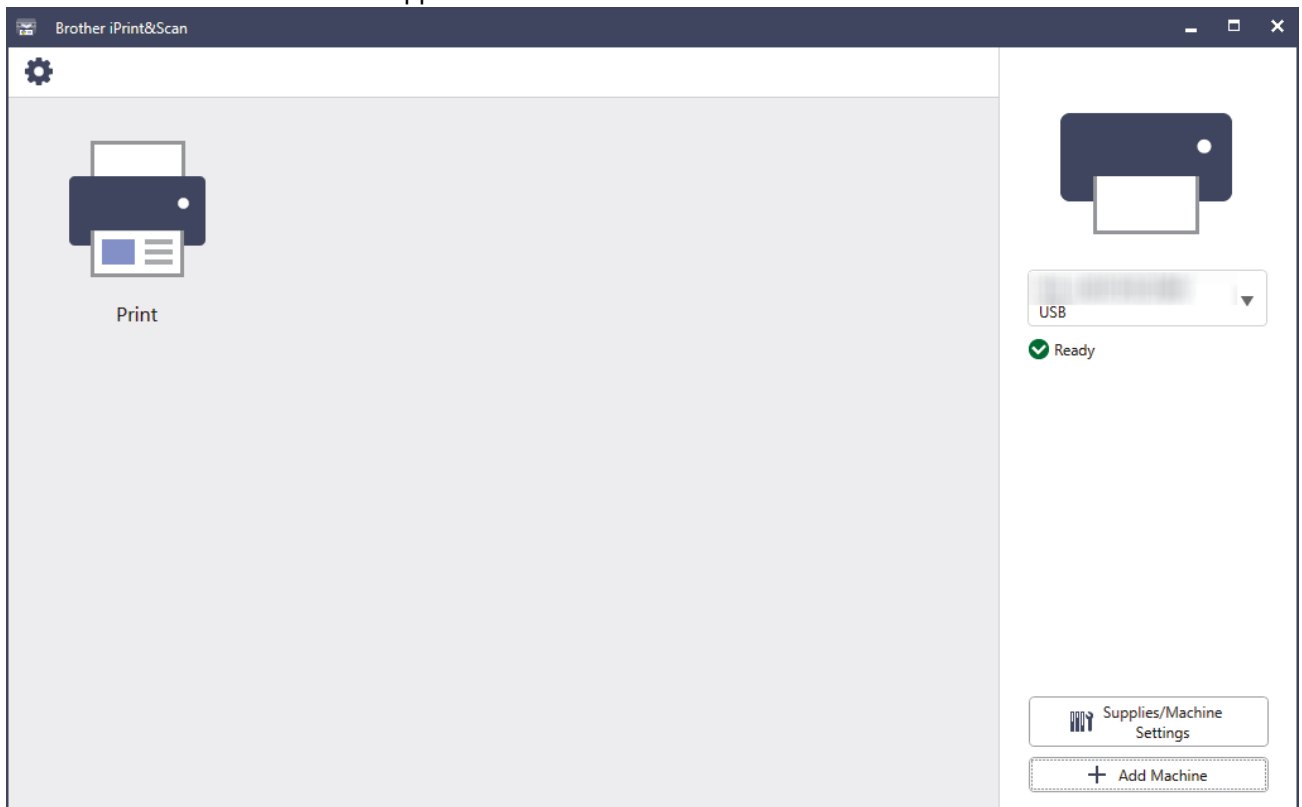
- Windows

Double-click the  (Brother iPrint&Scan) icon.

- Mac

In the **Finder** menu bar, click **Go > Applications**, and then double-click the iPrint&Scan icon.

The Brother iPrint&Scan screen appears.



The actual screen may differ depending on the version of the application.

### ✓ Related Information

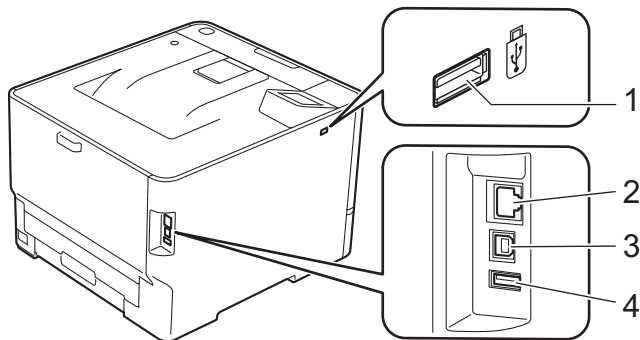
- [Introduction to Your Machine](#)

#### Related Topics:

- [Brother Mobile Connect](#)

## Input/Output Port Locations on Your Machine

The ports are located on the front or back of the machine.



1. USB accessory port (Front)
2. 10BASE-T / 100BASE-TX / 1000BASE-T port (For network models)
3. USB port
4. USB accessory port (Rear)  
(HL-L8570CDW)

When connecting the USB or network cable, follow the instructions in the software/driver installer.

To install the necessary driver and software for operating your machine, go to your model's **Downloads** page at [support.brother.com/downloads](http://support.brother.com/downloads).



### Related Information

- [Introduction to Your Machine](#)

## Paper Handling

- [Load Paper](#)
- [Paper Settings](#)
- [Unprintable Area](#)
- [Using Special Paper](#)

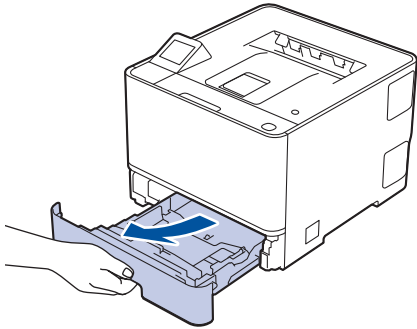
## Load Paper

- [Load Paper in the Paper Tray](#)
- [Load Paper in the Multi-purpose Tray \(MP Tray\)](#)
- [Load and Print Labels Using the MP Tray](#)
- [Load and Print Envelopes Using the MP Tray](#)

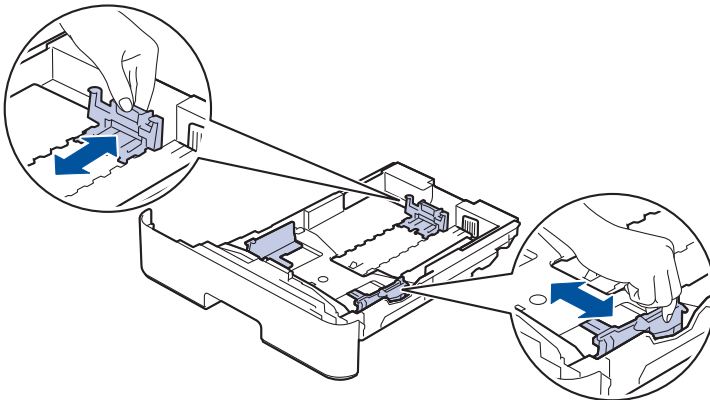
## Load Paper in the Paper Tray


- If, when the Check Paper setting is set to On and you pull the paper tray out of the machine, a message appears on the LCD asking if you want to change the paper size and paper type, change these settings, if needed, following the LCD instructions.
- When you load a different size and type of paper in the tray, you must also change the Paper Size and Paper Type settings on the machine, or on your computer.

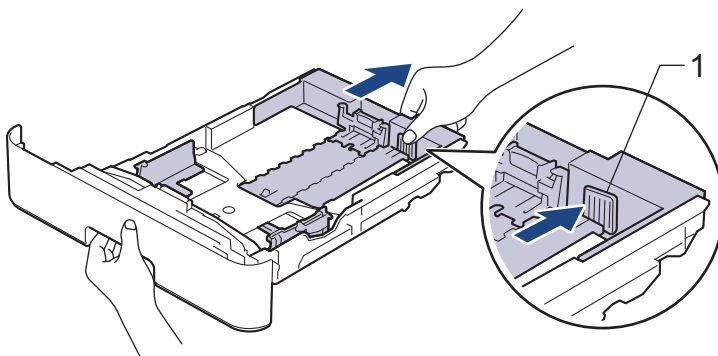
1. Pull the paper tray completely out of the machine.




2. Press the green levers to slide the paper guides to fit the paper.



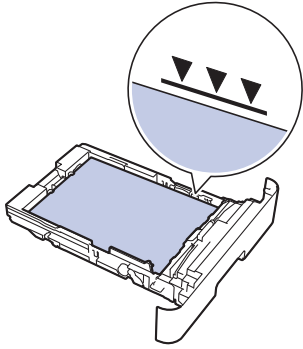
 For Legal or Folio size paper, press the release lever (1) in the back of the tray, and then pull out the back of the paper tray. (Legal and Folio size paper are not available in some regions.)



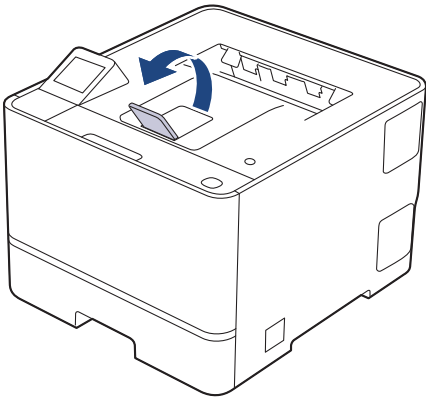
3. Fan the stack of paper well.
4. Load paper in the paper tray with the printing surface *face down*.

 When you use letterhead or preprinted paper, load the paper in the correct orientation. See *Related Information: Change Machine Settings to Print on Letterhead or Preprinted Paper Using the Paper Tray*.

- 
5. Make sure the paper is below the maximum paper mark (▼▼▼).  
Overfilling the paper tray will cause paper jams.



6. Slowly push the paper tray completely into the machine.  
7. Lift the support flap to prevent paper from sliding off the output tray.



### Related Information

- [Load Paper](#)
    - [Change Machine Settings to Print on Letterhead or Preprinted Paper Using the Paper Tray](#)
-

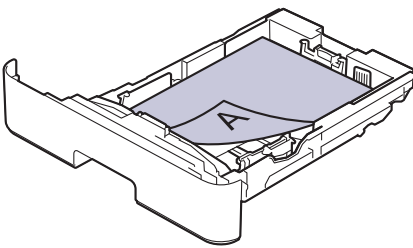
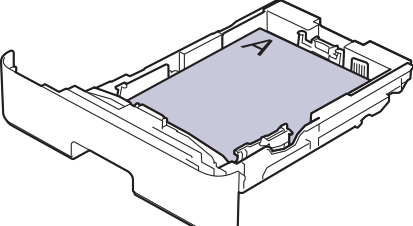
## Change Machine Settings to Print on Letterhead or Preprinted Paper Using the Paper Tray



When you use letterhead or preprinted paper for 2-sided printing, change the machine's settings.



- DO NOT load different sizes and types of paper in the paper tray at the same time. Doing this may cause the paper to jam or misfeed.
- If the print position is misaligned with the letterhead or preprinted objects, the print position is adjustable using the Print Position setting for the paper tray.
- Some preprinted paper may cause print stains, depending on the printing method and ink type.

### Orientation

	<p>For 1-sided printing</p> <ul style="list-style-type: none"><li>• face down</li><li>• top edge towards the front of the paper tray</li></ul>
	<p>For automatic 2-sided printing (long edge binding)</p> <ul style="list-style-type: none"><li>• face up</li><li>• bottom edge towards the front of the paper tray</li></ul>

1. Press  [Settings] > [All Settings] > [Printer] > [2-sided] > [Single Image] > [2-sided Feed].
2. Press .



### Related Information

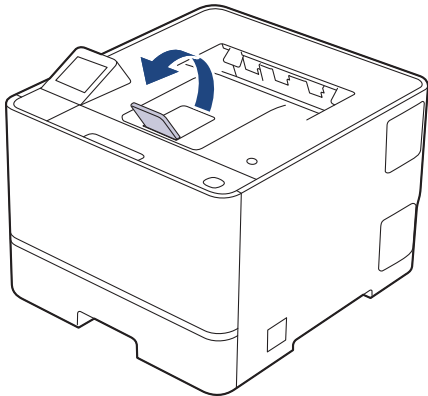
- [Load Paper in the Paper Tray](#)

## Load Paper in the Multi-purpose Tray (MP Tray)

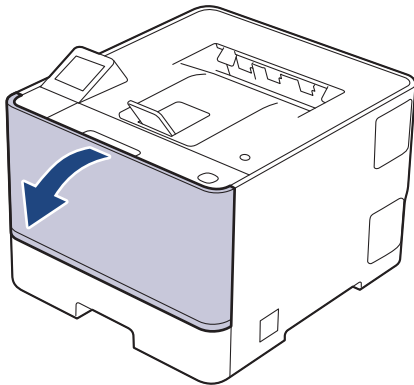
When you load a different size and type of paper in the tray, you must also change the Paper Size and Paper Type settings on the machine, or on your computer.

- Plain Paper
- Letterhead
- Coloured Paper
- Thin Paper
- Thick Paper
- Recycled Paper
- Bond Paper
- Glossy Paper

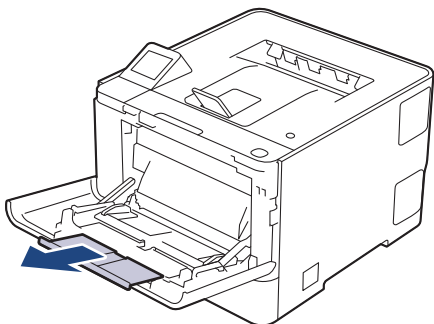
1. Lift the support flap to prevent paper from sliding off the face down output tray.



2. Open the MP tray and lower it gently.

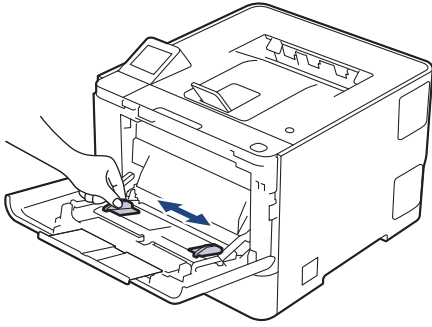


3. Extend the MP tray support.

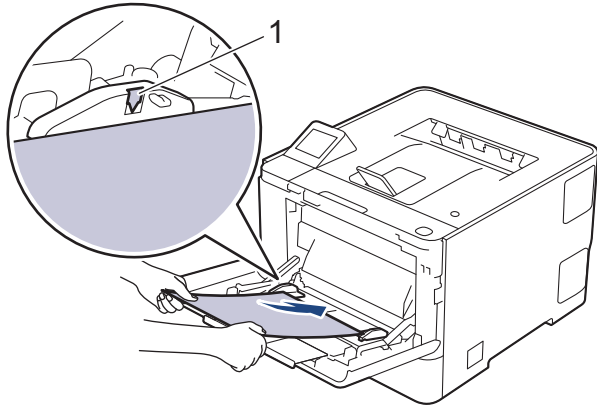


---

4. Slide the MP tray paper guides to fit the width of the paper you are using.



5. Load paper with the printing surface *face up* in the MP tray.



- Make sure the paper is below the maximum paper mark (1).
- When using glossy paper, load only one sheet at a time in the MP tray to avoid a paper jam.
- When you use letterhead or preprinted paper, load the paper in the correct orientation. See *Related Information: Change Machine Settings to Print on Letterhead or Preprinted Paper Using the MP Tray*.



### Related Information

- [Load Paper](#)
  - [Change Machine Settings to Print on Letterhead or Preprinted Paper Using the MP Tray](#)

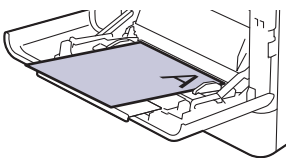
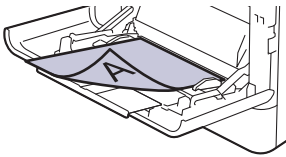
## Change Machine Settings to Print on Letterhead or Preprinted Paper Using the MP Tray



When you use letterhead or preprinted paper for 2-sided printing, change the machine's settings.



- DO NOT load different sizes and types of paper in the paper tray at the same time. Doing this may cause the paper to jam or misfeed.
- If the print position is misaligned with the letterhead or preprinted objects, the print position is adjustable using the Print Position setting for the MP tray.
- Some preprinted paper may cause print stains, depending on the printing method and ink type.

### Orientation

	For 1-sided printing <ul style="list-style-type: none"><li>• face up</li><li>• top edge first</li></ul>
	For automatic 2-sided printing (long edge binding) <ul style="list-style-type: none"><li>• face down</li><li>• bottom edge first</li></ul>

1. Press  [Settings] > [All Settings] > [Printer] > [2-sided] > [Single Image] > [2-sided Feed].
2. Press .



### Related Information

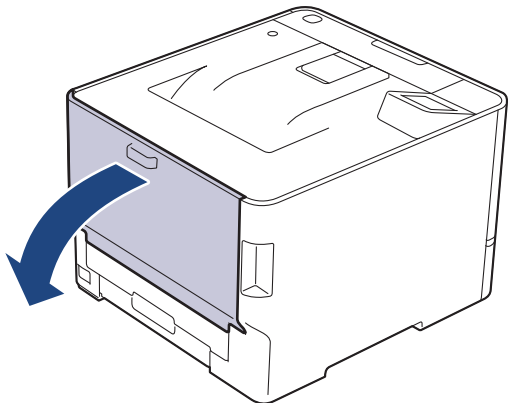
- [Load Paper in the Multi-purpose Tray \(MP Tray\)](#)

## Load and Print Labels Using the MP Tray

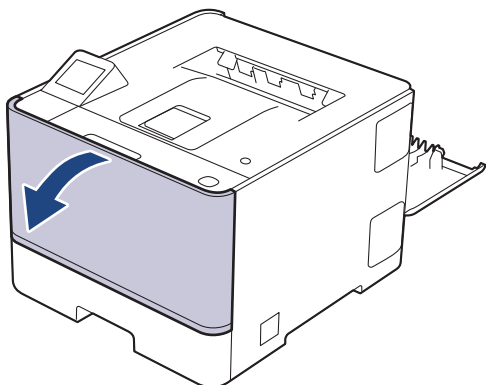
When you print on labels, open the back cover (face up output tray) and use the MP tray.

When you load a different size and type of paper in the tray, you must also change the Paper Size and Paper Type settings on the machine, or on your computer.

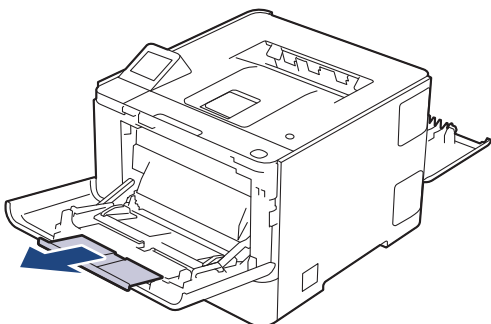
1. Open the machine's back cover (the face up output tray).



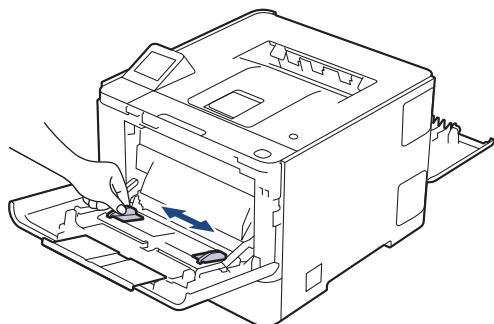
2. On the front of the machine, open the MP tray and lower it gently.



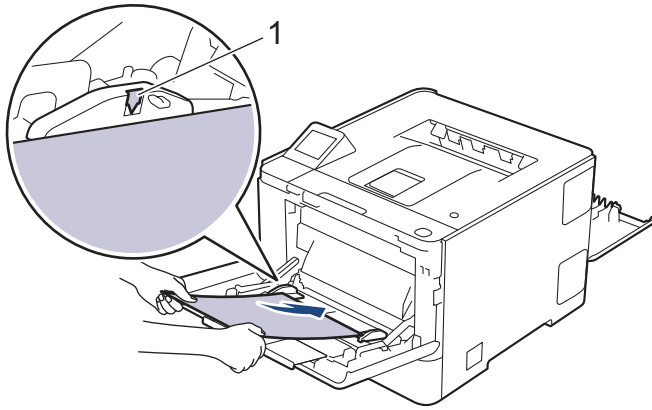
3. Extend the MP tray support.



4. Slide the MP tray paper guides to fit the width of the labels you are using.



- 
5. Load labels with the printing surface *face up* in the MP tray.



Make sure the labels are below the maximum paper mark (1).

6. Change your print preferences in the Print screen.
7. Send your print job to the machine.
8. When finished, close the back cover (the face up output tray) until it locks in the closed position.

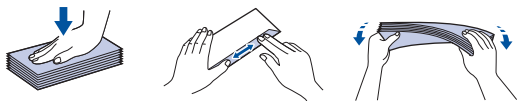


### Related Information

- [Load Paper](#)
-

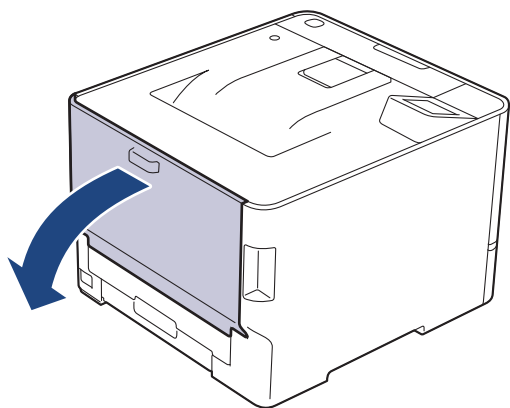
## Load and Print Envelopes Using the MP Tray

Before loading, press the corners and sides of the envelopes to make them as flat as possible.

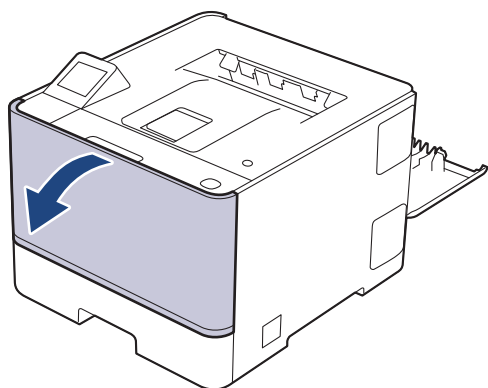


When you load a different size and type of paper in the tray, you must also change the Paper Size and Paper Type settings on the machine, or on your computer.

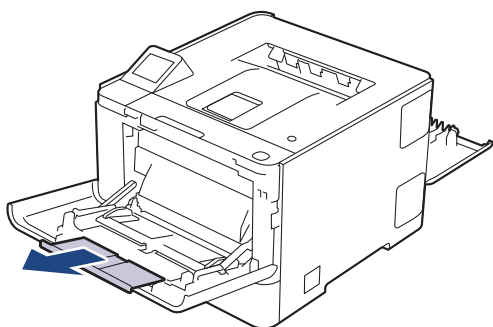
1. Open the machine's back cover (the face up output tray).



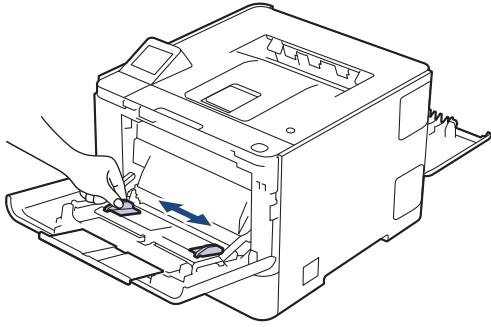
2. On the front of the machine, open the MP tray and lower it gently.



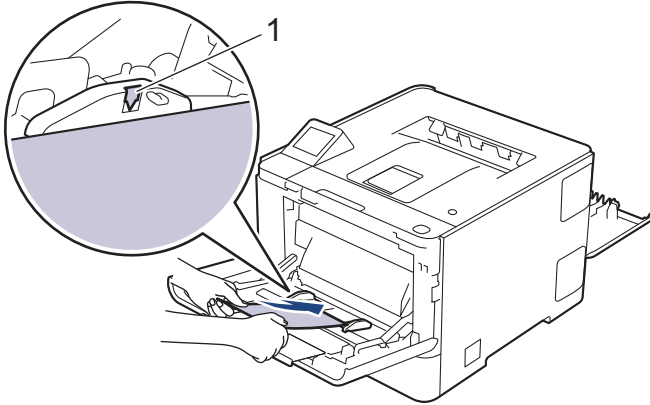
3. Extend the MP tray support.



- 
4. Slide the MP tray paper guides to fit the width of the envelopes that you are using.



5. Load envelopes with the printing surface *face up* in the MP tray.



---

Load the envelopes in the MP tray with the printing surface face up. Make sure the envelopes are below the maximum paper mark (1).

---

6. Change your print preferences in the Print dialog box.

Settings	Options for Envelopes
Paper Size	Com-10 DL C5 Monarch
Media Type	Envelopes Env. Thick Env. Thin

7. Send your print job to the machine.  
8. When finished, close the back cover (the face up output tray) until it locks in the closed position.



### Related Information




- [Load Paper](#)
  - [Print](#)
-

## Paper Settings

- [Change the Paper Size and Paper Type](#)
- [Change the Check Paper Setting](#)

## Change the Paper Size and Paper Type

When you change the size and type of paper you load in the tray, you must also change the Paper Size and Paper Type settings on the LCD.

1. Press  [Settings] > [All Settings] > [General Setup] > [Tray Setting] > [Paper Type].
2. Press ▲ or ▼ to display the paper tray options, and then press the option you want.
3. Press ▲ or ▼ to display the paper type options, and then press the option you want.
4. Press .
5. Press ▲ or ▼ to display the [Paper Size] option, and then press [Paper Size].
6. Press ▲ or ▼ to display the paper tray options, and then press the option you want.
7. Press ▲ or ▼ to display the paper size options, and then press the option you want.
8. Press .





### Related Information

- [Paper Settings](#)

## Change the Check Paper Setting

When the Check Paper setting is set to On and you pull the paper tray out of the machine, or load paper in the MP tray, a message appears on the LCD asking if you want to change the paper size and paper type.

The default setting is On.

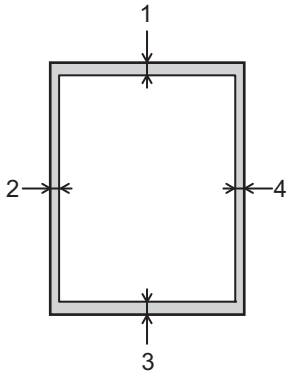
1. Press  [Settings] > [All Settings] > [General Setup] > [Tray Setting] > [Check Paper].
2. Press [On] or [Off].
3. Press .

### Related Information

- [Paper Settings](#)
-

## Unprintable Area

The measurements in the table below show maximum unprintable areas from the edges of the most commonly used paper sizes. The measurements may vary depending on the paper size or settings in the application you are using.



Do not attempt to print into these areas; your output will not reflect anything in these areas.

Usage	Document Size	Top (1) Bottom (3)	Left (2) Right (4)
Print	Letter	4.2 mm	4.2 mm
	A4	4.2 mm	4.2 mm
	Legal	4.2 mm	4.2 mm



### Related Information

- [Paper Handling](#)

## Using Special Paper

Always test paper samples before purchasing them to ensure desirable performance.

- DO NOT use inkjet paper; it may cause a paper jam or damage your machine.
- If you use bond paper, paper with a rough surface, or paper that is wrinkled or creased, the paper may exhibit degraded performance.

Store paper in its original packaging and keep it sealed. Keep the paper flat and away from moisture, direct sunlight, and heat.

### IMPORTANT

Some types of paper may not perform well or may cause damage to your machine.

DO NOT use paper:

- that is highly textured
- that is extremely smooth or shiny
- that is curled or warped
- that is coated or has a chemical finish
- that is damaged, creased, or folded
- that exceeds the recommended weight specification in this guide
- with tabs and staples
- with letterhead using low temperature dyes or thermography
- that is multipart or carbonless
- that is designed for inkjet printing
- that has an adhesive substance applied to the surface

If you use any of the types of paper listed above, they may damage your machine. This damage is not covered under any Brother warranty or service agreement.



### Related Information

- [Paper Handling](#)

## Print

- [Print from Your Computer \(Windows\)](#)
- [Print from Your Computer \(Mac\)](#)
- [Load and Print Envelopes Using the MP Tray](#)
- [Print an Email Attachment](#)
- [Secure Print Using a USB Flash Drive](#)
- [Print Data Directly from a USB Flash Drive or Digital Camera Supporting Mass Storage](#)
- [Print Duplicate Copies](#)
- [Cancel a Print Job](#)
- [Universal Print](#)

## Print from Your Computer (Windows)

- [Print a Document \(Windows\)](#)
- [Print on Both Sides of the Paper \(Windows\)](#)
- [Secure Print \(Windows\)](#)
- [Change the Default Print Settings \(Windows\)](#)
- [Print Settings \(Windows\)](#)
- [Print a Document Using the BR-Script3 Printer Driver \(PostScript® 3™ Language Emulation\) \(Windows\)](#)

## Print a Document (Windows)

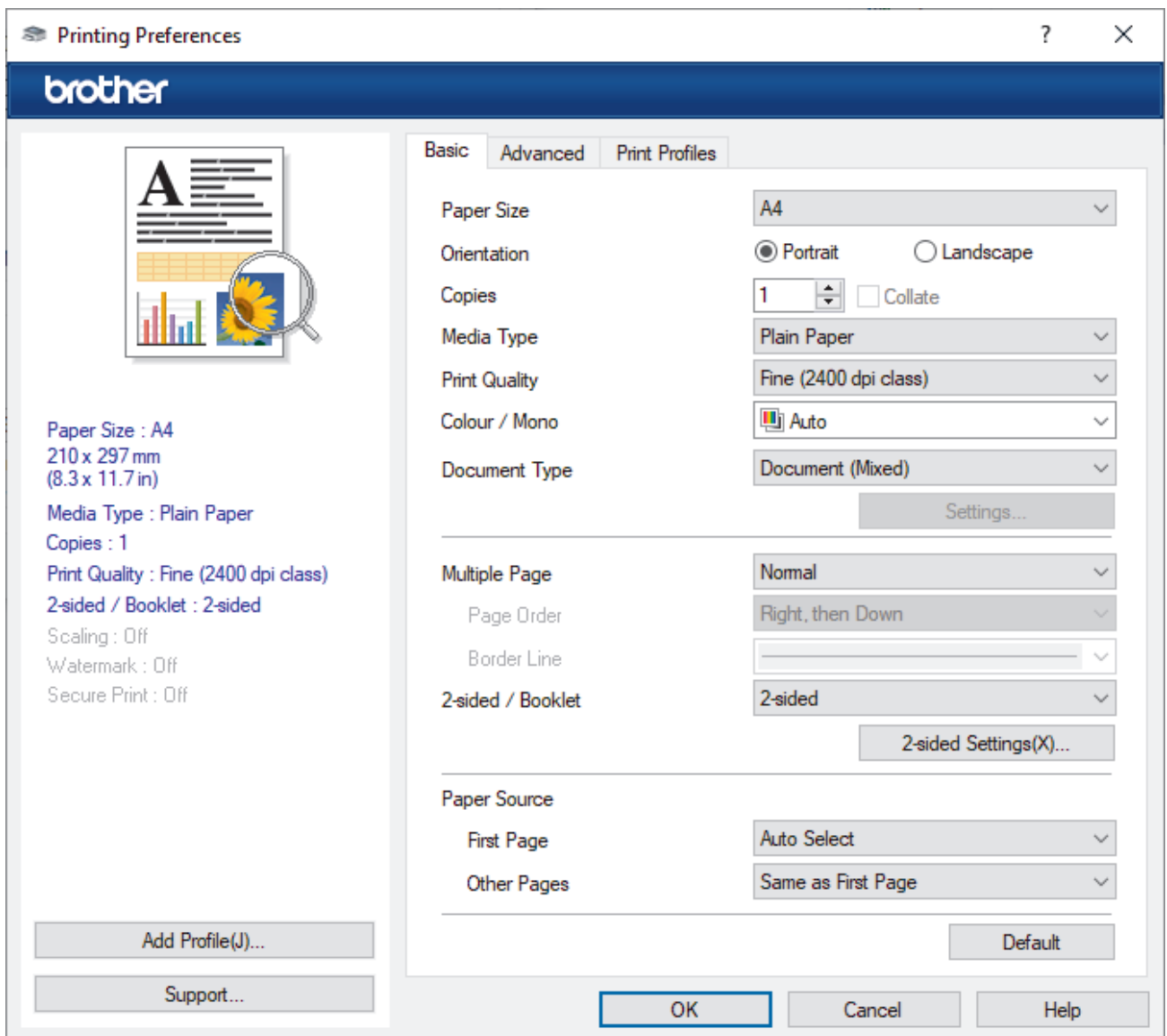
When you change an application's print settings, the changes apply only to documents printed with that application.



- 2-sided printing may be the default depending on your model. For 1-sided printing, turn off the 2-sided printing settings in the printer driver.
- To change print settings for all Windows applications, you must configure the printer driver properties. For more information, see *Related Information:Change the Default Print Settings (Windows)*.

1. Load paper in the paper tray.
2. Select the print command in your application.
3. Select your model's name, and then click the printer's properties or preferences button.

The printer driver window appears.



4. Make sure you have loaded the correct size paper in the paper tray.
5. Click the **Paper Size** drop-down list, and then select your paper size.
6. In the **Orientation** field, select the **Portrait** or **Landscape** option to set the printout orientation.



If your application contains a similar setting, we recommend that you set the printout orientation using the application.

- 
7. Type the number of copies (1-999) you want in the **Copies** field.
  8. Click the **Media Type** drop-down list, and then select the type of paper you are using.
  9. To print multiple pages on a single sheet of paper or print one page of your document on multiple sheets, click the **Multiple Page** drop-down list, and then select your options.
  10. Click the **2-sided / Booklet** drop-down list, and then select the option you want.
  11. Click the **Paper Source** drop-down list and select the paper source.



- 
- You can set the paper size and paper type for each tray using the machine's control panel.
  - You can set the priority of each tray using the machine's control panel.

For more information, see *Related Information:Paper Settings*.

---

12. Change other printer settings, if needed.
13. Click **OK**.
14. Complete your print operation.



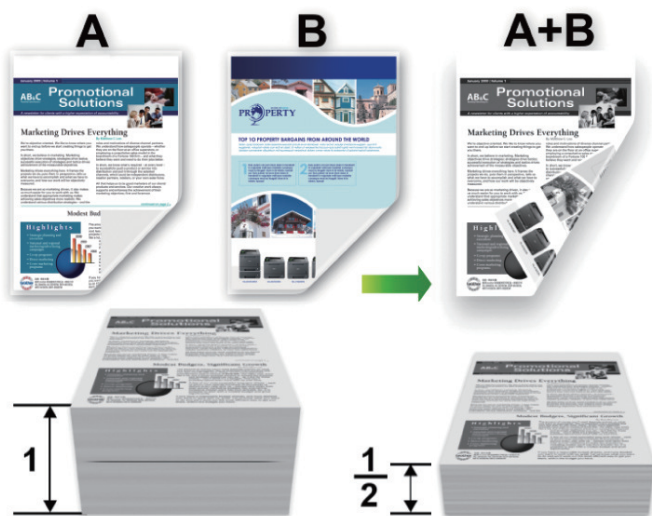
## Related Information

- [Print from Your Computer \(Windows\)](#)

### Related Topics:

- [Change the Default Print Settings \(Windows\)](#)
  - [Paper Settings](#)
  - [Print Settings \(Windows\)](#)
-

## Print on Both Sides of the Paper (Windows)



- If paper is curled, straighten it and put it back in the paper tray.
- Use regular paper or thin paper. DO NOT use bond paper.
- If the paper is too thin, it may wrinkle.
- When you use the manual 2-sided printing function, it is possible there may be paper jams or poor print quality.

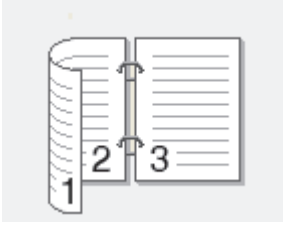

1. Select the print command in your application.
2. Select your model's name, and then click the printer's properties or preferences button.  
The printer driver window appears.
3. In the **Orientation** field, select the **Portrait** or **Landscape** option to set the printout orientation.



If your application contains a similar setting, we recommend that you set the printout orientation using the application.

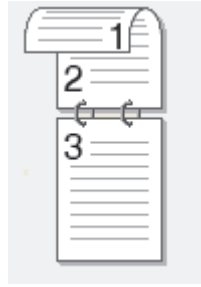
4. Click the **2-sided / Booklet** drop-down list, and then select **2-sided**.
5. Click the **2-sided Settings** button.
6. Select one of the options from the **2-sided Type** menu.

When 2-sided is selected, four types of 2-sided binding are available for each orientation:

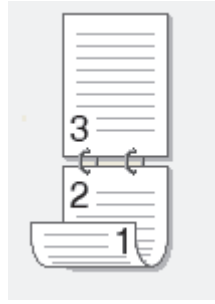
Option for Portrait	Description
Long Edge (Left)	
Long Edge (Right)	

Option for Portrait	Description
---------------------	-------------

Short Edge (Top)

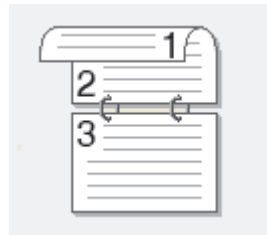


Short Edge (Bottom)

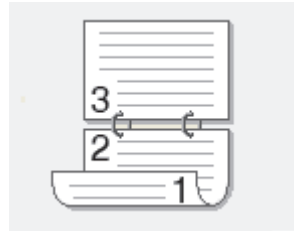


Option for Landscape	Description
----------------------	-------------

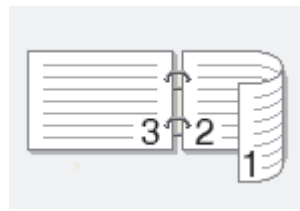
Long Edge (Top)



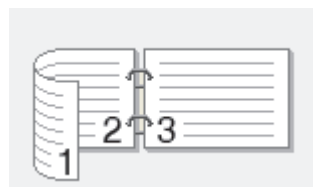
Long Edge (Bottom)



Short Edge (Right)



Short Edge (Left)



7. Select the **Binding Offset** checkbox to specify the offset for binding in inches or millimetres.
8. Click **OK**.
9. Change other printer settings, if needed.
10. Click **OK**.
11. Complete your print operation.

---

If the paper is not feeding correctly, it may be curled. Remove the paper, straighten it, and put it back in the paper tray.



### **Related Information**

- [Print from Your Computer \(Windows\)](#)
-

## Secure Print (Windows)

Use Secure Print to ensure that confidential or sensitive documents do not print until you enter a password on the machine's control panel.

The secure data is deleted from the machine when you turn the machine off.

1. Select the print command in your application.
2. Select your model's name, and then click the printer's properties or preferences button.  
The printer driver window appears.
3. Click the **Advanced** tab.
4. Click the **Settings** button in the **Secure Print** field.
5. Select the **Secure Print** checkbox.
6. Type your four-digit password in the **Password** field.
7. Type the user name and job name in the **User Name** and **Job Name** fields, if needed.
8. Click **OK** to close the **Secure Print Settings** window.
9. Click **OK**.
10. Complete your print operation.
11. On the machine's control panel, press [Secure Print].
12. Press ▲ or ▼ to display the user names, and then press to select your user name.
13. Enter your four-digit password, and then press [OK].
14. Press ▲ or ▼ to display the print job, and then press it.
15. Enter the number of copies you want.
16. Press [Start].

The secured data will be cleared from the machine's memory after printing.





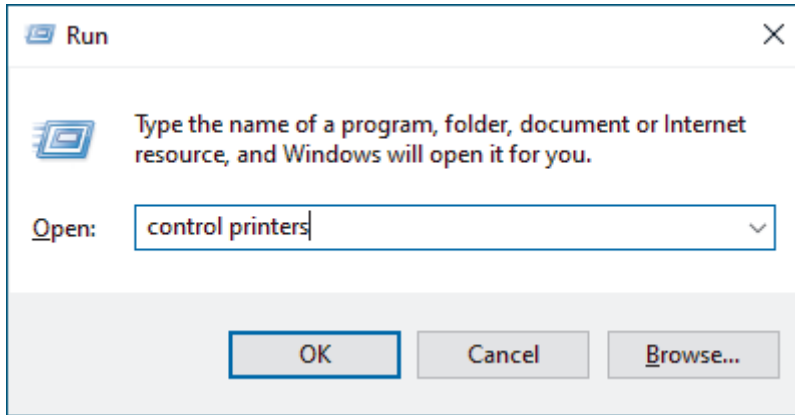
### Related Information

- [Print from Your Computer \(Windows\)](#)

## Change the Default Print Settings (Windows)

When you change an application's print settings, the changes apply only to documents printed with that application. To change print settings for all Windows applications, you must configure the printer driver properties.

1. Hold down the  key and press the  key on the computer's keyboard to launch **Run**.
2. Type "**control printers**" in the **Open:** field and click **OK**.



The **Devices and Printers** window appears.



---

If the **Devices and Printers** window does not appear, click **Devices > More devices and printer settings**.

3. Right-click your model's icon, and then select **Printer properties**. (If the printer driver options appear, select your printer driver.)

The printer properties dialog box appears.

4. Click the **General** tab, and then click the **Printing Preferences...** or **Preferences...** button.

The printer driver dialog box appears.



- 
- To configure the tray settings, click the **Device Settings** tab (available for certain models).
  - To change the printer port, click the **Ports** tab.

5. Select the print settings you want to use as the default for all of your Windows programs.
6. Click **OK**.
7. Close the printer properties dialog box.





### Related Information

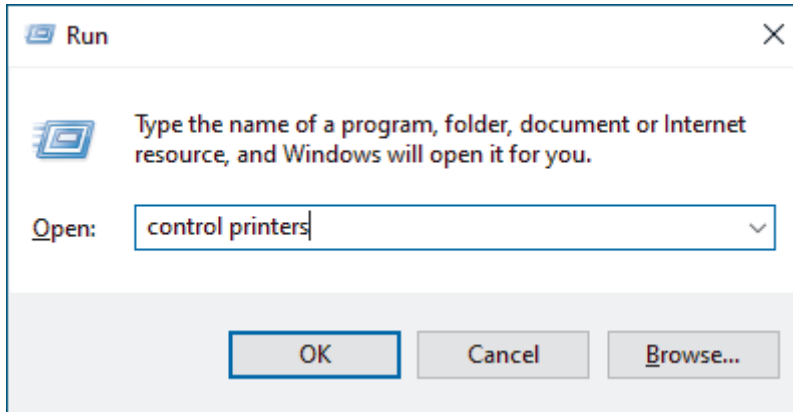
- [Print from Your Computer \(Windows\)](#)
  - [Configure the Optional Tray Settings \(Windows\)](#)

## Configure the Optional Tray Settings (Windows)

Access your machine's Properties to auto-detect your machine's Optional Tray and check the machine's serial number.

The printer driver automatically detects the Optional Tray during the driver installation. If you added the Optional Tray after the driver installation, follow these steps:

1. Hold down the  key and press the  key on the computer's keyboard to launch **Run**.
2. Type "**control printers**" in the **Open:** field and click **OK**.



The **Devices and Printers** window appears.



If the **Devices and Printers** window does not appear, click **Devices > More devices and printer settings**.

3. Right-click your model's icon, and then select **Printer properties**. (If the printer driver options appear, select your printer driver.)  
The printer properties dialog box appears.
4. Click the **Device Settings** tab.
5. Click the **Auto Detect** button.  
The Optional Tray and the machine's serial number are automatically detected.
6. Click the **Apply** button.
7. Close the printer properties dialog box.

The **Auto Detect** function is not available under the following machine conditions:

- The machine is turned off.
- The machine is shared via a Print Server.
- The machine and your computer are not connected.



### Related Information

- [Change the Default Print Settings \(Windows\)](#)

## Print Settings (Windows)



- When you change an application's print settings, the changes apply only to documents printed with that application.  
For more information, see *Related Information: Print a Document (Windows)*.
- To change the default print settings, you must configure the printer driver properties.  
For more information, see *Related Information: Change the Default Print Settings (Windows)*.

>> [Basic Tab](#)

>> [Advanced Tab](#)

### Basic Tab

**Printing Preferences**

brother

Basic | Advanced | Print Profiles

Paper Size: A4

Orientation:  Portrait  Landscape

Copies: 1  Collate

Media Type: Plain Paper

Print Quality: Fine (2400 dpi class)

Colour / Mono: Auto

Document Type: Document (Mixed)

Settings...

Multiple Page: Normal

Page Order: Right, then Down

Border Line: \_\_\_\_\_

2-sided / Booklet: 2-sided

2-sided Settings(X)...

Paper Source

First Page: Auto Select

Other Pages: Same as First Page

Default

Add Profile(J)...

Support...

OK Cancel Help

#### 1. Paper Size

Select the paper size you want to use. You can either choose from standard paper sizes or create a custom paper size.

#### 2. Orientation

Select the orientation (portrait or landscape) of your printout.

If your application contains a similar setting, we recommend that you set the orientation using the application.

---

### 3. Copies

Type the number of copies (1-999) that you want to print in this field.

#### Collate

Select this option to print sets of multi-page documents in the original page order. When this option is selected, one complete copy of your document will print, and then reprint according to the number of copies you choose. If this option is not selected, then each page will print according to the number of copies chosen before the next page of the document is printed.

### 4. Media Type

Select the media type you want to use. To achieve the best print results, the machine automatically adjusts its print settings according to the selected media type.

### 5. Print Quality

Select the print quality you want. Because print quality and speed are related, the higher the quality, the longer it will take to print the document.

### 6. Colour / Mono

Select the Colour/Mono settings to use.

## NOTE

- The machine's colour sensor is very sensitive and may perceive faded black text or an off-white background as colour. If you know that your document is black and white and you want to conserve colour toner, select the **Mono** mode.
- If either the Cyan, Magenta, or Yellow toner reaches the end of its life while printing a colour document, the print job cannot be completed. Cancel your print job and select to start the print job again in the **Mono** mode, as long as the Black toner is available.

---

### 7. Document Type

Select the type of document you want to print.

#### Settings button

Specify advanced settings, such as colour mode.

#### Colour Mode

Select the colour mode to suit your preference.

#### Import

To adjust the print configuration of a particular image, click **Settings**. When you have finished adjusting the image parameters, such as brightness and contrast, import those settings as a print configuration file. Use the **Export** option to create a print configuration file from the current settings.

#### Export

To adjust the print configuration of a particular image, click **Settings**. When you have finished adjusting the image parameters, such as brightness and contrast, export those settings as a print configuration file. Use the **Import** option to load a previously exported configuration file.

#### Improve Grey Colour

Select this option to improve the image quality of shaded areas.

#### Enhance Black Printing

If a black graphic does not print correctly, select this setting.

#### Improve Pattern Printing

Select this option to improve the pattern printing if printed fills and patterns are different from the fills and patterns you see on your computer screen.

### 8. Multiple Page

Select this option to print multiple pages on a single sheet of paper, or print one page of your document on multiple sheets.

## Page Order

Select the page order when printing multiple pages on a single sheet of paper.

## Border Line

Select the type of border to use when printing multiple pages on a single sheet of paper.

## 9. 2-sided / Booklet (available for certain models)

Select this option to print on both sides of the paper, or print a document in booklet format using 2-sided printing.

### 2-sided Settings button

Click this button to select the type of 2-sided binding. Four types of 2-sided bindings are available for each orientation.

## 10. Paper Source

Select the paper source setting according to your print conditions or purpose.

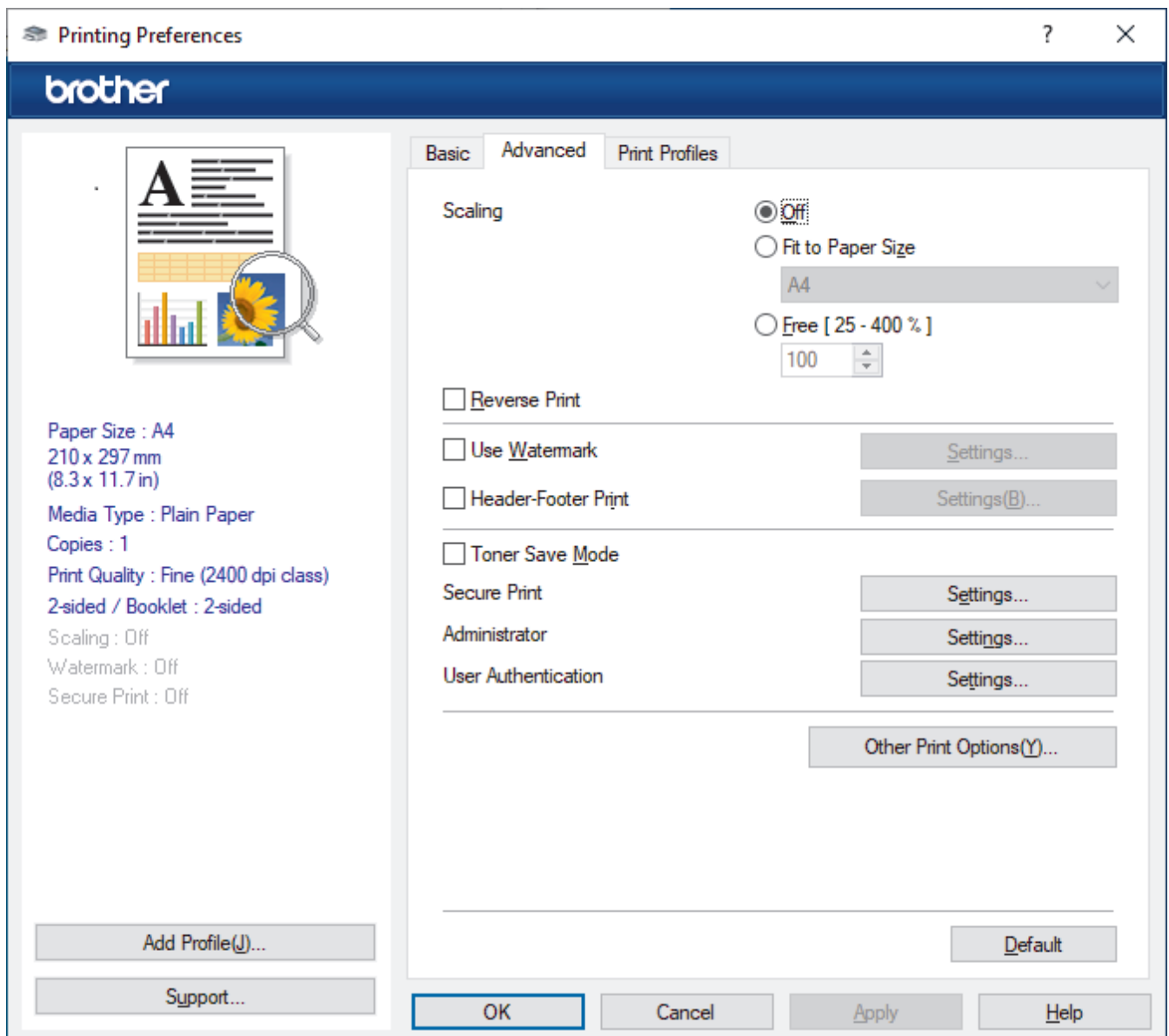
### First Page

Select the paper source to use for printing the first page.

### Other Pages

Select the paper source to use for printing the second and subsequent pages.

## Advanced Tab



---

## 1. Scaling

Select these options to enlarge or reduce the size of the pages in your document.

### Fit to Paper Size

Select this option to enlarge or reduce the document pages to fit a specified paper size. When you select this option, select the paper size you want from the drop-down list.

### Free [ 25 - 400 % ]

Select this option to enlarge or reduce the document pages manually. When you select this option, type a value into the field.

## 2. Reverse Print

Select this option to rotate the printed image 180 degrees.

## 3. Use Watermark

Select this option to print a logo or text on your document as a watermark. Select one of the preset watermarks, add a new watermark, or use an image file you have created.

## 4. Header-Footer Print

Select this option to print the date, time, and login user name on the document.

## 5. Toner Save Mode

Select this feature to use less toner to print documents; printouts appear lighter, but are still legible.

## 6. Secure Print

This feature ensures that confidential or sensitive documents are not printed out until you enter a password on the machine's control panel.

## 7. Administrator

This feature allows you to change the administrator password and restrict various printing functions.

## 8. User Authentication

This feature allows you to confirm the restrictions for each user.

## 9. Other Print Options button

### Sleep Time

Select this option to set the machine to enter sleep mode immediately after printing.

### Macro/Stream (available for certain models)

Select this feature to print an electronic form (macro/stream), which you have stored in your machine's memory, as an overlay on the print job.

### Improve Print Output

Select this option to reduce the amount of paper curling and improve the toner fixing.

### Edge Emphasis

Select this option to make the text appear sharper.

### Skip Blank Page

Select this option to allow the printer driver to automatically detect blank pages and exclude them from printing.

### TrueType Mode

#### Mode

Select how the fonts are processed for printing.

#### Use Printer TrueType Fonts (available for certain models)

Select whether to use built-in fonts for the font processing.

### Eco settings

Select this option to reduce printing noise.

---

## Document Position Adjustment

Select this option to adjust the print start position.



### Related Information

- [Print from Your Computer \(Windows\)](#)

#### Related Topics:

- [Change the Default Print Settings \(Windows\)](#)
  - [Print a Document \(Windows\)](#)
-

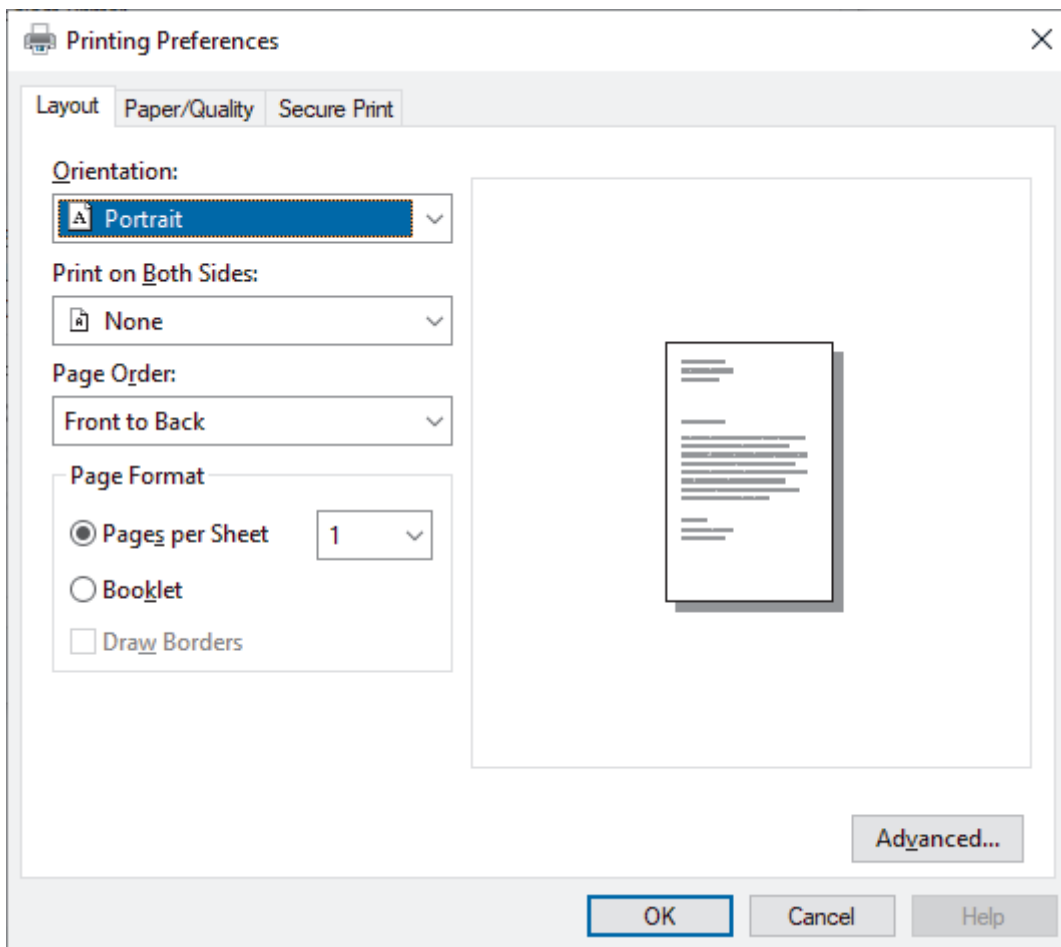
## Print a Document Using the BR-Script3 Printer Driver (PostScript® 3™ Language Emulation) (Windows)

The BR-Script3 printer driver lets you print PostScript® data more clearly.

Go to your model's **Downloads** page at [support.brother.com/downloads](http://support.brother.com/downloads) to install the PS driver (BR-Script3 printer driver).

1. Select the print command in your application.
2. Select your model with **BR-Script3** in the name, and then click the printer's properties or preferences button.

The printer driver window appears.



3. Click the **Layout**, **Paper/Quality**, or **Secure Print** tab to change basic print settings. (available for certain models)

Click the **Layout** or **Paper/Quality** tab, and then click the **Advanced...** button to change advanced print settings. Click **OK**.

4. Click **OK**.
5. Complete your print operation.

### ✓ Related Information

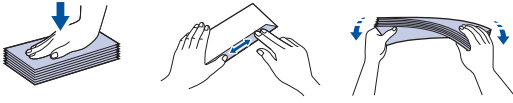
- [Print from Your Computer \(Windows\)](#)

## **Print from Your Computer (Mac)**

- [Before Using AirPrint \(macOS\)](#)
- [Print Using AirPrint](#)

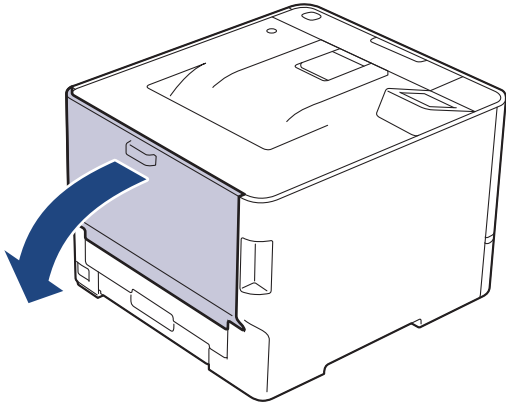
## Load and Print Envelopes Using the MP Tray

Before loading, press the corners and sides of the envelopes to make them as flat as possible.

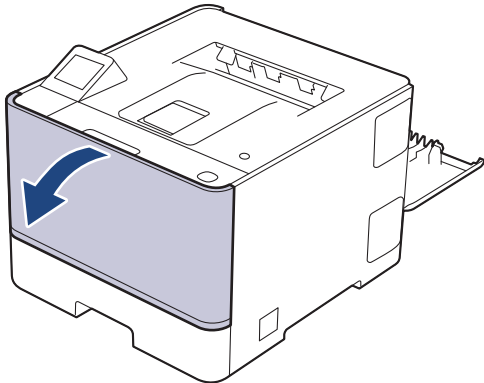


When you load a different size and type of paper in the tray, you must also change the Paper Size and Paper Type settings on the machine, or on your computer.

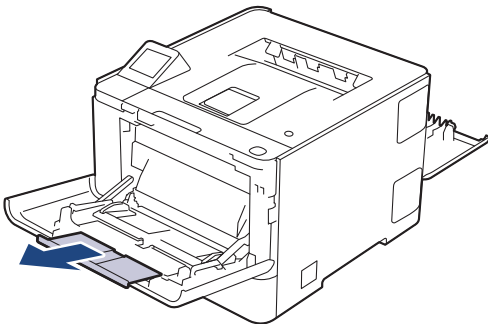
1. Open the machine's back cover (the face up output tray).



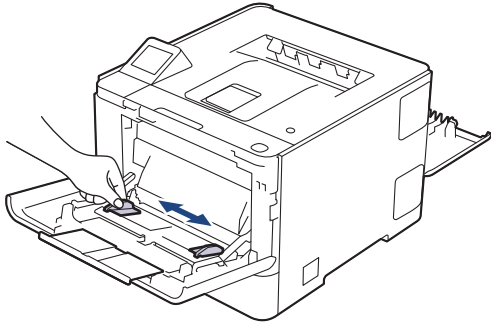
2. On the front of the machine, open the MP tray and lower it gently.



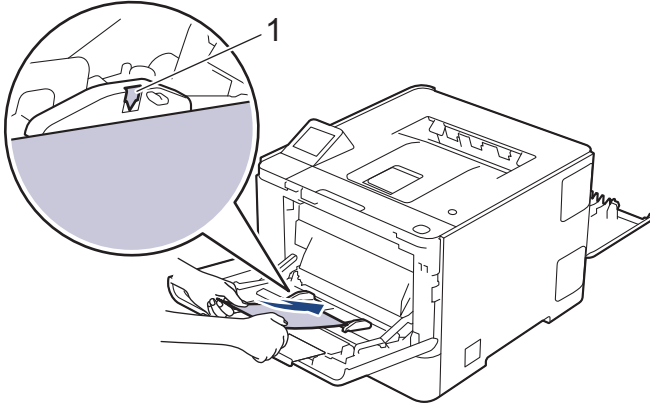
3. Extend the MP tray support.



- 
- Slide the MP tray paper guides to fit the width of the envelopes that you are using.



- Load envelopes with the printing surface *face up* in the MP tray.



---

Load the envelopes in the MP tray with the printing surface face up. Make sure the envelopes are below the maximum paper mark (1).

---

- Change your print preferences in the Print dialog box.

Settings	Options for Envelopes
Paper Size	Com-10 DL C5 Monarch
Media Type	Envelopes Env. Thick Env. Thin

- Send your print job to the machine.
- When finished, close the back cover (the face up output tray) until it locks in the closed position.



### Related Information

- [Load Paper](#)
  - [Print](#)
-

## Print an Email Attachment

You can print files by emailing them to your Brother machine.

- You can attach up to 10 documents, 20 MB in total, to an email.
- This feature supports the following formats:
  - Document files: PDF, TXT, and Microsoft Office files
  - Image files: JPEG, BMP, GIF, PNG, and TIFF
- The machine prints both the email content and attachments by default. To print only email attachments, change the settings as necessary.

1. Start Web Based Management. See [Access Web Based Management](#).
2. In the left navigation bar, click **Online Functions > Online Functions Settings**.



- If the left navigation bar is not visible, start navigating from ☰.
- If this function is locked, contact your network administrator for access.

3. Click the **I accept the terms and conditions** button and follow the on-screen instructions.
4. On your computer, click **General Settings**.  
The **Email Print: General Settings** screen appears.
5. Click the **Enable** button.  
The machine prints the instruction sheet.
6. Send your email to the email address included on the sheet. The machine prints the email attachments.



- To change the settings, including email address and printer settings, click the **Online Functions Settings Page** button.
- You can also configure the settings from your machine. Press [Functions] > [Apps] > [Online Functions], and then follow the on-screen instructions.



### Related Information

- [Print](#)

#### Related Topics:

- [Access Web Based Management](#)

## Secure Print Using a USB Flash Drive

**Related Models:** HL-L8570CDW

USB Storage Print allows you to save secure print data to the USB flash drive and print them later by entering a password on the machine's control panel.

### NOTE

USB flash drive requirements:

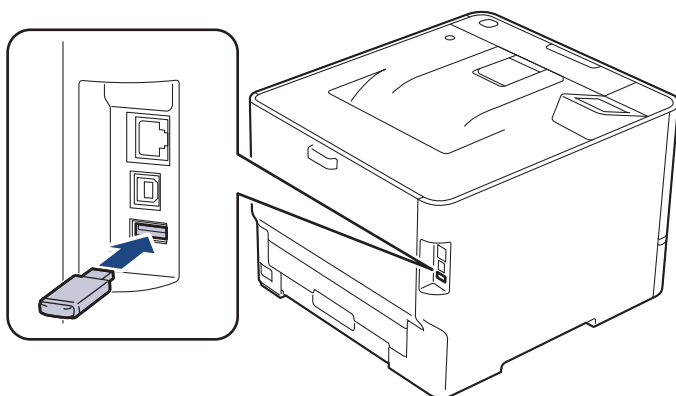
- Storage Size: 8 GB or more
- Format: FAT32/exFAT



USB flash drive recommendation:

Storage Size: 16 GB or more

- Data stored on a USB flash drive is encrypted, but this may not protect it from unauthorised access in all circumstances. Make sure you securely manage and store your data and USB flash drive.
- Data on a USB flash drive can only be read on the machine whose data it stores. You cannot read the data on another machine, device, or computer.
- When you no longer need the USB flash drive to store the data from your machine and want to use it for other purposes, delete all stored data, and format the USB flash drive on your computer. To format or clean the USB flash drive, refer to its user manual for instructions.

1. Connect your USB flash drive to the USB port (Rear).



2. Press .
3. On the machine's control panel, press  [Settings] > [All Settings] > [Printer] > [Job Save Location].
4. Press [USB flash drive (Rear port)].  
A message appears on the LCD to initialise the USB flash drive.
5. Press and hold [OK] for two seconds to initialise.  
The machine will restart and activate the USB Storage Print feature.

### NOTE

- When the machine restarts to activate the USB Storage Print feature, all the stored jobs, Macro, Stream and Font data will be deleted from the machine's memory.
- When the machine restarts to activate the USB Storage Print feature, the Macro, Stream and Font data will be deleted from the USB flash drive.

- 
6. In the printer driver, complete the settings for the Secure Print option and execute the print command in your application.
  7. On the machine's control panel, press [Secure Print].
  8. Press ▲ or ▼ to display the user names, and then press to select your user name.  
The LCD displays the list of secured jobs for your name.
  9. Enter your four-digit password, and then press [OK].
  10. Press ▲ or ▼ to display the print job, and then press it.
  11. Enter the number of copies you want.
  12. Press [Start].

The machine prints the data and deletes the print job from the USB flash drive.

## IMPORTANT

DO NOT remove the USB flash drive from the USB port (Rear) until the machine has finished printing.



### Related Information

- [Print](#)

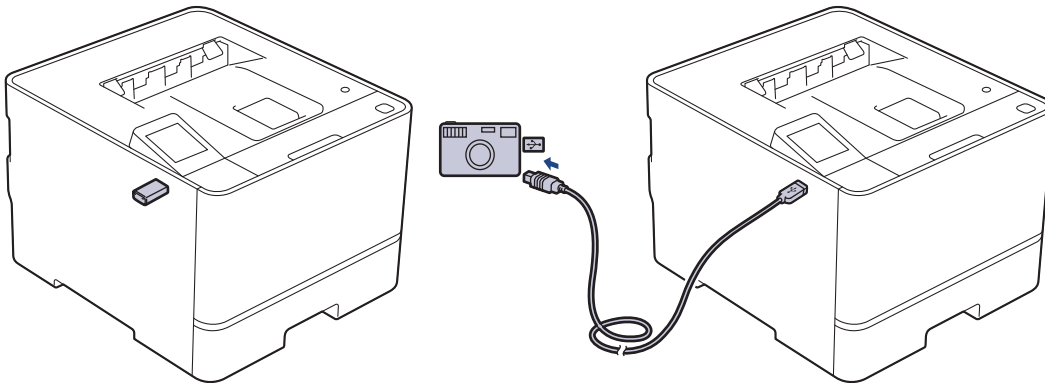
## Print Data Directly from a USB Flash Drive or Digital Camera Supporting Mass Storage

- Make sure your digital camera is turned on.
- Supported file types are PDF, JPEG, TIFF, and PRN.
- Your digital camera must be switched from PictBridge mode to Mass Storage mode.
- USB flash drive requirements:
  - Class: USB Mass Storage Class
  - Formats: FAT12/FAT16/FAT32/exFAT

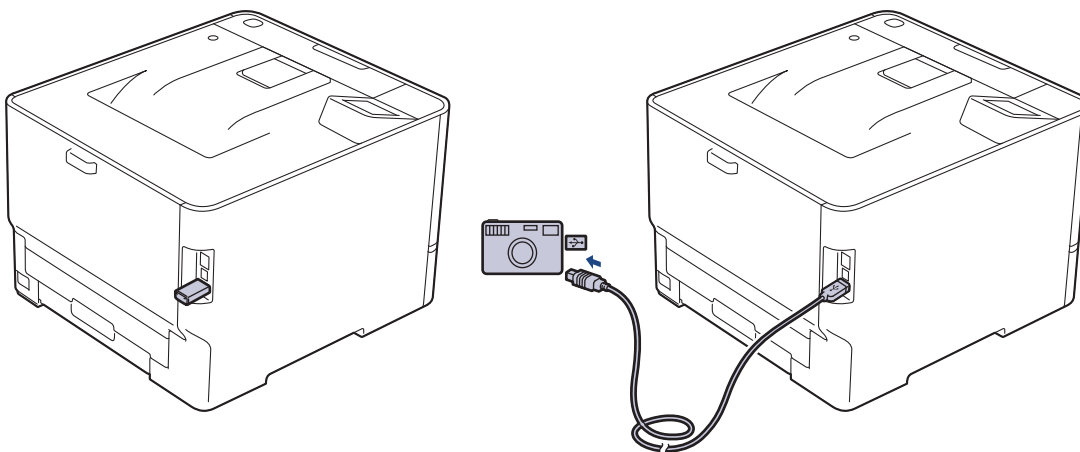
### IMPORTANT

To prevent damage to your machine, DO NOT connect any device other than a digital camera or USB flash drive to the USB direct interface.

#### USB Port Location (Front View)



#### USB Port Location (Rear View) (HL-L8570CDW)




1. Connect your USB flash drive or digital camera to the USB direct interface. The LCD displays the [Checking Image] message.




- If an error occurs, the USB menu does not appear on the LCD.
- When the machine is in Deep Sleep mode, the LCD does not display any information even if you connect a USB flash drive to the USB direct interface. Press any button on the control panel to wake up the machine.
- If your machine's Secure Function Lock is On, you may not be able to print from a USB flash drive or digital camera.
- (HL-L8570CDW) If the machine prompts you to choose the USB port, select it on the touchscreen.

2. Press ▲ or ▼ to select the file you want, and then press it.



To print an index of the files stored on the USB flash drive or digital camera, press  [Index Print] on the touchscreen. Press [Mono Start] or [Colour Start] to print the data.

3. Do one of the following:

- To change the settings, press  [Print Settings]. Go to the next step.
- If you want to use the default settings, enter the number of copies, and then press [Mono Start] or [Colour Start].

4. Select the print settings you want to change:

- [Print Quality]
- [Select Tray]
- [Paper Type]
- [Paper Size]
- [Multiple Page]
- [Orientation]
- [2-sided]
- [Collate]
- [PDF Print Options]
- [PDF Fit to Page]



Depending on the file type, some of these settings may not appear.

5. Press [OK].

6. Enter the number of copies you want.

7. Press [Mono Start] or [Colour Start] to print the data.

8. Press .

## IMPORTANT

DO NOT remove the USB flash drive or digital camera from the USB direct interface until the machine has finished printing.



## Related Information

- [Print](#)

## Print Duplicate Copies

Use the Carbon Copy function to make multiple copies of the same print data, as if printing on carbon paper. Send the data to individual paper trays that you loaded with different paper types or colours.

For example, you may want to set the machine to send your print data to Tray 1, which you have pre-loaded with blue coloured paper, and then reprint the data in a certain location on the page from the MP Tray, which you have loaded with yellow coloured paper that already contains text.


If you load blue paper in Tray 1 and yellow paper in the MP tray, the printer will automatically feed paper for Sheet 1 from Tray 1 and Sheet 2 from the MP Tray.

If you enable the Carbon Copy function, the machine will always make copies automatically.




### Windows

The Carbon Copy function also allows you to select a different printing macro/stream for each page.

1. Press  [Settings] > [All Settings] > [Printer] > [Carbon Menu] > [Carbon Copy] > [On].
2. Press ▲ or ▼ to display the [Copies] option, and then press the [Copies] option.
3. Enter the number of copies you want, and then press [OK].
4. Press ▲ or ▼ to display the [Copy1 Tray] option, and then press the [Copy1 Tray] option.
5. Press ▲ or ▼ to display the paper tray you want to configure the [Copy1 Tray] option, and then press to select the paper tray.



### Windows

- a. Press ▲ or ▼ to display the [Copy1 Stream] option, and then press the [Copy1 Stream] option.
  - b. Press ▲ or ▼ to display the ID number of the macro/stream you want to use, and then press it.
6. Repeat these steps until you have selected all the tray settings for each copy.
  7. Press .
  8. Send your print job to the machine.



### Related Information

- [Print](#)

## Cancel a Print Job

Press .



To cancel multiple print jobs, press and hold  for four seconds.



### Related Information

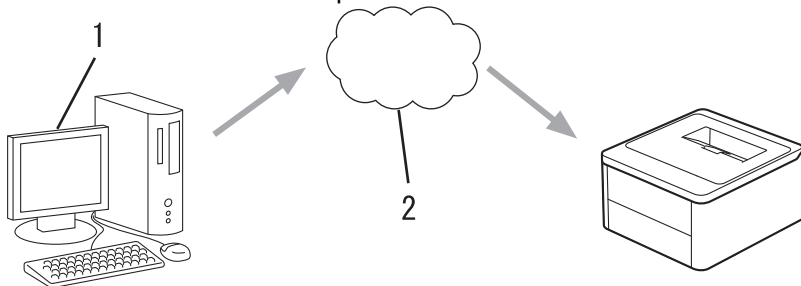
- [Print](#)
-

## Universal Print

- [Universal Print Overview](#)
- [Configure Universal Print](#)
- [Add a Universal Print-enabled Printer to Your Computer](#)
- [Deregister Your Machine from Universal Print](#)

## Universal Print Overview

Universal Print is a cloud-based print service from Microsoft. You can print documents, from anywhere on the Internet, without installing a printer driver. Universal Print is available for Azure Active Directory (Azure AD) users with a Microsoft 365 subscription.



1. Computer running Windows 10 20H1 or greater
2. Cloud server



### Related Information

- [Universal Print](#)

## Configure Universal Print

- Make sure you set the correct date and time for your time zone.
- If your network uses a proxy server, configure the proxy server settings.

### Register Your Machine with Universal Print Using Web Based Management

1. Start Web Based Management. See [Access Web Based Management](#).
2. In the left navigation bar, click **Network > Network > Protocol**.



If the left navigation bar is not visible, start navigating from ☰.

3. Select the **Universal Print** checkbox, and then click **Advanced Settings**.
4. Change your machine's name in the **Device Name** field if necessary.



Using the following characters: ?, /, \, ", :, <, >, | or \* may cause a sending error.

5. Click **Register**.
6. A Universal Print user code appears. Click the **Sign in** button, and then type the user code.
7. Follow the on-screen instructions to finish the registration.

### Assign Universal Print Users via Microsoft Azure Portal

8. Access the Microsoft Azure portal.  
URL: [portal.azure.com](https://portal.azure.com)
9. Log in as a Printer Administrator.
10. Select the **Universal Print** service.
11. Select the **Printers** option, and then select your machine from the list.
12. Select the **Share** option.
13. Select the users you want to assign to the Universal Print service, and then click **Share Printer**.






### Related Information

- [Universal Print](#)

#### Related Topics:

- [Configure Date and Time Using Web Based Management](#)
- [Configure the Proxy Server Settings Using Web Based Management](#)
- [Access Web Based Management](#)

## Add a Universal Print-enabled Printer to Your Computer

1. Do one of the following:
  - For Windows 11
    - a. Click  > **Settings** > **Bluetooth & devices** > **Printers & scanners** > **Add device**.
    - b. Select **Work or school** from the **Show printers and scanners associated with my** drop-down list.
  - For Windows 10
    - a. Click  >  > **Devices** > **Printers & scanners** > **Add a printer or scanner**.
    - b. Select **Work or school printer & scanner** from the drop-down list.
2. Select your machine registered as a Universal Print-enabled printer from the list, and then click **Add device**.

You can now print with the machine you registered as a Universal Print-enabled printer.



### Related Information

- [Universal Print](#)

## Deregister Your Machine from Universal Print

To deregister your machine, you must delete it from Web Based Management, and then delete it on the Microsoft Azure portal.

1. Start Web Based Management. See [Access Web Based Management](#).
2. In the left navigation bar, click **Network > Network > Protocol**.



If the left navigation bar is not visible, start navigating from ☰.

3. Next to the **Universal Print** checkbox, click **Advanced Settings**.
4. Click **Delete Registration Data**, and then follow the on-screen instructions.
5. Access the Microsoft Azure portal.  
URL: [portal.azure.com](https://portal.azure.com)
6. Log in as a Printer Administrator.
7. Select the **Universal Print** service.
8. Select the **Printers** option, and then select your machine from the list.
9. Click **Delete Printer Share**, and then click **OK**.
10. Click **Unregister**, and then click **OK**.



### Related Information

- [Universal Print](#)

#### Related Topics:

- [Access Web Based Management](#)

## Network

- [Supported Basic Network Features](#)
- [Configure Network Settings](#)
- [Wireless Network Settings](#)
- [Network Features](#)
- [Brother Management Tools](#)

## Supported Basic Network Features

The machine supports various features depending on the operating system. Use this table to see which network features and connections are supported by each operating system.

Operating Systems	Windows	Windows Server	macOS
Printing	Yes	Yes	Yes
Web Based Management <sup>1</sup>	Yes	Yes	Yes

<sup>1</sup> The default password to manage your machine's settings is located on the back of the machine and marked "Pw". We recommend immediately changing the default password to protect your machine from unauthorised access.



- When connecting your machine to an outside network such as the Internet, make sure your network environment is protected by a separate firewall or other means in order to prevent information leaks due to inadequate settings or unauthorised access by malicious third parties.
- When your machine is connected to the global network, a warning appears. When you see this warning, we strongly recommend confirming your network settings, and then re-connecting to a secure network.
- Enabling your machine's global network communication filtering feature blocks access from the global network. The global network communication filtering feature may prevent the machine from receiving certain print jobs from a computer or mobile device that uses a global IP address.



### Related Information

- [Network](#)

#### Related Topics:

- [Change the Login Password Using Web Based Management](#)

## Configure Network Settings


- [Configure Network Details Using the Control Panel](#)
- [Change Machine Settings Using Web Based Management](#)

## Configure Network Details Using the Control Panel

To configure the machine for your network, use the control panel's [Network] menu selections.



- For information about the network settings you can configure using the control panel, see *Related Information: Settings Tables*.
- You can also use Web Based Management, to configure and change your machine's network settings.

1. Press  [Settings] > [All Settings] > [Network].
2. Press ▲ or ▼ to display the network option you want, and then press it. Repeat this step until you access the menu you want to configure, and then follow the touchscreen LCD instructions.



### Related Information

- [Configure Network Settings](#)

#### Related Topics:

- [Supported Basic Network Features](#)
- [Settings Tables](#)

## Wireless Network Settings

- [Use the Wireless Network](#)
- [Use Wi-Fi Direct<sup>®</sup>](#)
- [Enable/Disable Wireless LAN](#)
- [Print the WLAN Report](#)

## Use the Wireless Network

- [Before Configuring Your Machine for a Wireless Network](#)
- [Configure Your Machine for a Wireless Network Using the Setup Wizard from Your Computer](#)
- [Configure Your Machine for a Wireless Network Using the Machine's Control Panel Setup Wizard](#)
- [Configure Your Machine for a Wireless Network Using the One Push Method of Wi-Fi Protected Setup™ \(WPS\)](#)
- [Configure Your Machine for a Wireless Network Using the PIN Method of Wi-Fi Protected Setup™ \(WPS\)](#)
- [Configure Your Machine for a Wireless Network When the SSID Is Not Broadcast](#)
- [Configure Your Machine for an Enterprise Wireless Network](#)

## Before Configuring Your Machine for a Wireless Network

Before attempting to configure a wireless network, confirm the following:

- If you are using an enterprise wireless network, you must know the User ID and Password.
- To achieve optimum results with normal everyday document printing, place your machine as close to the wireless LAN access point/router as possible with minimal obstructions. Large objects and walls between the two devices and interference from other electronic devices can affect the data transfer speed of your documents.

Due to these factors, wireless may not be the best method of connection for all types of documents and applications. If you are printing large files, such as multi-page documents with mixed text and large graphics, you may want to consider selecting wired Ethernet for faster data transfer (supported models only), or USB for the fastest throughput speed.

- Although your machine can be used in a wired and wireless network (supported models only), only one connection method can be used at a time. However, a wireless network connection and Wi-Fi Direct connection, or a wired network connection (supported models only) and Wi-Fi Direct connection can be used at the same time.
- If there is a signal in the vicinity, wireless LAN allows you to freely make a LAN connection. However, if security settings are not correctly configured, the signal may be intercepted by malicious third-parties, possibly resulting in:
  - Theft of personal or confidential information
  - Improper transmission of information to parties impersonating the specified individuals
  - Dissemination of transcribed communication contents that were intercepted



Make sure you know your wireless router/access point's Network Name (SSID) and Network Key (Password). If you cannot find this information, consult the manufacturer of your wireless router/access point, your system administrator, or Internet provider. Brother cannot provide this information.



### Related Information

- [Use the Wireless Network](#)

## Configure Your Machine for a Wireless Network Using the Setup Wizard from Your Computer

1. Download the installer from your model's **Downloads** page at [support.brother.com/downloads](http://support.brother.com/downloads).
2. Start the installer, and then follow the on-screen instructions.
3. Select **Wireless Network Connection (Wi-Fi)**, and then click **Next**.
4. Follow the on-screen instructions.

You have completed the wireless network setup.



### Related Information

- [Use the Wireless Network](#)
-

## Configure Your Machine for a Wireless Network Using the Machine's Control Panel Setup Wizard

Before configuring your machine, we recommend writing down your wireless network settings. You will need this information before you continue with the configuration.

1. Check and record the current wireless network settings of the computer to which you are connecting.

Network Name (SSID)	Network Key (Password)

For example:


Network Name (SSID)	Network Key (Password)
HELLO	12345



- Your access point/router may support the use of multiple WEP keys, but your Brother machine supports the use of only the first WEP key.
- If you need assistance during setup and want to contact Brother customer service, make sure you have your SSID (Network Name) and Network Key (Password) ready. We cannot assist you in locating this information.
- If you do not know this information (SSID and Network Key), you cannot continue the wireless setup.

### How can I find this information?

- Check the documentation provided with your wireless access point/router.
- The initial SSID could be the manufacturer's name or the model name.
- If you do not know the security information, consult the router manufacturer, your system administrator, or your Internet provider.

2. Press  [Settings] > [All Settings] > [Network] > [WLAN (Wi-Fi)] > [Find Wi-Fi Network].

3. When [Enable WLAN?] appears, press [Yes].

This will start the wireless setup wizard. To cancel, press [No].

4. The machine searches for your network and display a list of available SSIDs.

If a list of SSIDs is displayed, press ▲ or ▼ to display the SSID to which you want to connect, and then press the SSID.



If the SSID you want is not displayed, press [Search again] to search your network again.

5. Press [OK].


6. Do one of the following:

- If you are using an authentication and encryption method that requires a Network Key, enter the Network Key you wrote down in the first step.

When you have entered all the characters, press [OK].

- If your authentication method is Open System and your encryption mode is None, go to the next step.

7. The machine attempts to connect to the wireless device you have selected.

If your wireless device is connected successfully, the machine's LCD displays [Connected]. Press [OK], and then press .

---

You have completed the wireless network setup. To install the drivers or the application necessary for operating your machine, go to your model's **Downloads** page at [support.brother.com/downloads](http://support.brother.com/downloads).



## Related Information


- [Use the Wireless Network](#)


### Related Topics:

- [How to Enter Text on Your Machine](#)
  - [Wireless LAN Report Error Codes](#)
-

## Configure Your Machine for a Wireless Network Using the One Push Method of Wi-Fi Protected Setup™ (WPS)

If your wireless access point/router supports WPS (PBC: Push Button Configuration), you can use WPS from your machine's control panel menu to configure your wireless network settings.

1. Press  [Settings] > [All Settings] > [Network] > [WLAN (Wi-Fi)] > [WPS/Push Button].
2. When [Enable WLAN?] appears, press [Yes].  
This will start the wireless setup wizard. To cancel, press [No].
3. When the touchscreen displays [Start WPS on your wireless access point/router, then press [OK].], press the WPS button on your wireless access point/router. Then press [OK] on your machine. Your machine will automatically detect your wireless access point/router and try to connect to your wireless network.

If your wireless device is connected successfully, the machine's LCD displays [Connected]. Press [OK], and then press .

You have completed the wireless network setup. To install the drivers or the application necessary for operating your machine, go to your model's **Downloads** page at [support.brother.com/downloads](http://support.brother.com/downloads).

### Related Information

- [Use the Wireless Network](#)

#### Related Topics:

- [Wireless LAN Report Error Codes](#)

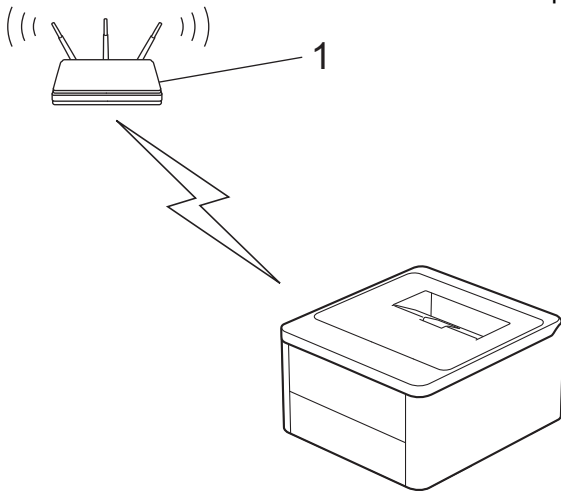
## Configure Your Machine for a Wireless Network Using the PIN Method of Wi-Fi Protected Setup™ (WPS)

If your wireless LAN access point/router supports WPS, you can use the Personal Identification Number (PIN) Method to configure your wireless network settings.

The PIN Method is one of the connection methods developed by the Wi-Fi Alliance®. By submitting a PIN created by an Enrollee (your machine) to the Registrar (a device that manages the wireless LAN), you can set up the wireless network and security settings. For more information on how to access WPS mode, see the instructions provided with your wireless access point/router.

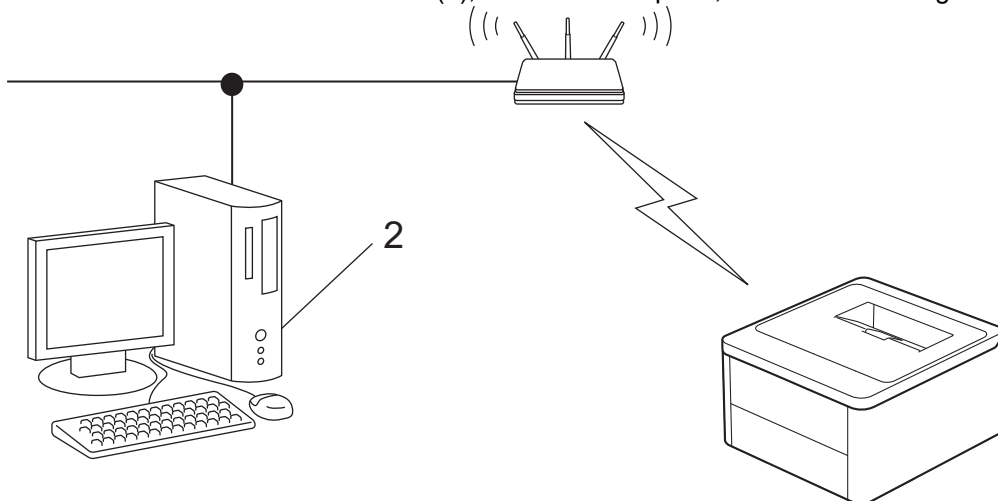
### Type A


Connection when the wireless LAN access point/router (1) doubles as the Registrar:



### Type B


Connection when another device (2), such as a computer, is used as the Registrar:





1. Press  [Settings] > [All Settings] > [Network] > [WLAN (Wi-Fi)] > [WPS/PIN Code].
2. When [Enable WLAN?] appears, press [Yes].  
This will start the wireless setup wizard. To cancel, press [No].
3. The LCD displays an eight-digit PIN and the machine starts searching for a wireless LAN access point/router.
4. Using a computer connected to the network, in your browser's address bar, type the IP address of the device you are using as the Registrar (for example: <http://192.168.1.2>).
5. Go to the WPS settings page and type the PIN, and then follow the on-screen instructions.

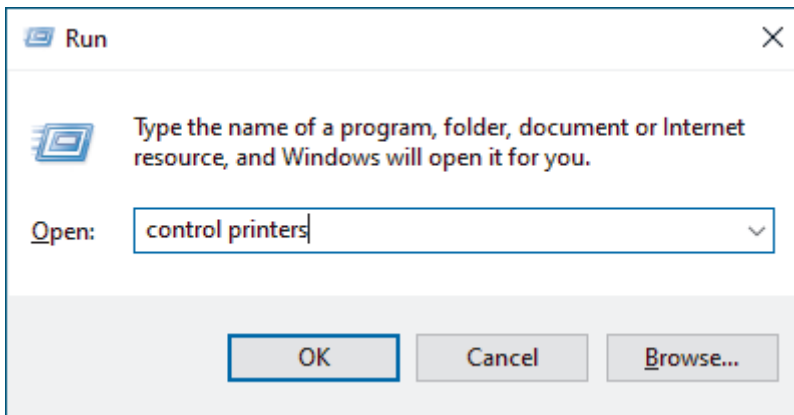


- The Registrar is usually the wireless LAN access point/router.
- The settings page may differ depending on the brand of wireless LAN access point/router. For more information, see the instructions supplied with your wireless LAN access point/router.

If your wireless device is connected successfully, the machine's LCD displays [Connected]. Press [OK], and then press .

**If you are using a Windows 10 or Windows 11 computer as a Registrar, complete the following steps:**

6. Hold down the  key and press the  key on the computer's keyboard to launch **Run**.
7. Type "**control printers**" in the **Open:** field and click **OK**.



The **Devices and Printers** window appears.




If the **Devices and Printers** window does not appear, click **Devices > More devices and printer settings**.

8. Click **Add a device**.



- To use a Windows 10 or Windows 11 computer as a Registrar, you must register it to your network in advance. For more information, see the instructions supplied with your wireless LAN access point/router.
- If you use Windows 10 or Windows 11 as a Registrar, you can install the printer driver after the wireless configuration by following the on-screen instructions. To install the driver and software necessary to use your machine, go to your model's **Downloads** page at [support.brother.com/downloads](http://support.brother.com/downloads).

9. Select your machine and click **Next**.
10. Type the PIN displayed on the machine's LCD, and then click **Next**.
11. Click **Close**.

If your wireless device is connected successfully, the machine's LCD displays [Connected]. Press [OK], and then press .

You have completed the wireless network setup. To install the drivers or the application necessary for operating your machine, go to your model's **Downloads** page at [support.brother.com/downloads](http://support.brother.com/downloads).



## Related Information

- [Use the Wireless Network](#)

### Related Topics:

- [Wireless LAN Report Error Codes](#)

## Configure Your Machine for a Wireless Network When the SSID Is Not Broadcast

Before configuring your machine, we recommend writing down your wireless network settings. You will need this information before you continue with the configuration.


1. Check and write down the current wireless network settings.


Network Name (SSID)		
Authentication Method	Encryption Mode	Network Key
Open System	NONE	-
	WEP <sup>1</sup>	
Shared Key	WEP <sup>1</sup>	
WPA/WPA2-PSK	AES	
	TKIP	
WPA3-SAE	AES	

<sup>1</sup> You cannot select the WEP option from the control panel. To select the WEP option for the encryption mode, use Web Based Management.

For example:

Network Name (SSID)		
HELLO		
Authentication Method	Encryption Mode	Network Key
WPA3-SAE	AES	12345678

2. Press  [Settings] > [All Settings] > [Network] > [WLAN (Wi-Fi)] > [Find Wi-Fi Network].
3. When [Enable WLAN?] appears, press [Yes].  
This will start the wireless setup wizard. To cancel, press [No].
4. The machine will search for your network and display a list of available SSIDs. Press ▲ or ▼ to display the [Add SSID] option.
5. Press [Add SSID], and then press [OK].
6. Enter the SSID name, and then press [OK].
7. Select the Authentication Method.
8. Follow the instructions on the LCD to configure the settings.
9. The machine attempts to connect to the wireless device you have selected.

If your wireless device is connected successfully, the machine's LCD displays [Connected]. Press [OK], and then press .

You have completed the wireless network setup. To install the drivers or the application necessary for operating your machine, go to your model's **Downloads** page at [support.brother.com/downloads](http://support.brother.com/downloads).



## Related Information

- [Use the Wireless Network](#)

### **Related Topics:**

- [Access Web Based Management](#)
  - [How to Enter Text on Your Machine](#)
  - [Wireless LAN Report Error Codes](#)
-

## Configure Your Machine for an Enterprise Wireless Network

Before configuring your machine, we recommend writing down your wireless network settings. You will need this information before you continue with the configuration.

1. Check and write down the current wireless network settings.

Network Name (SSID)

Authentication Method	Encryption Mode	User ID	Password
EAP-FAST/NONE	AES		
	TKIP		
EAP-FAST/MS-CHAPv2	AES		
	TKIP		
EAP-FAST/GTC	AES		
	TKIP		
PEAP/MS-CHAPv2	AES		
	TKIP		
PEAP/GTC	AES		
	TKIP		
EAP-TTLS/CHAP	AES		
	TKIP		
EAP-TTLS/MS-CHAP	AES		
	TKIP		
EAP-TTLS/MS-CHAPv2	AES		
	TKIP		
EAP-TTLS/PAP	AES		
	TKIP		
EAP-TLS	AES		-
	TKIP		-


For example:


Network Name (SSID)
HELLO

Authentication Method	Encryption Mode	User ID	Password
EAP-FAST/MS-CHAPv2	AES	Brother	12345678



- If you configure your machine using EAP-TLS authentication, you must install the client certificate issued by a CA before you start configuration. Contact your network administrator about the client certificate. If you have installed more than one certificate, we recommend writing down the certificate name you want to use.
- If you verify your machine using the common name of the server certificate, we recommend writing down the common name before you start configuration. Contact your network administrator about the common name of the server certificate.

2. Press  [Settings] > [All Settings] > [Network] > [WLAN (Wi-Fi)] > [Find Wi-Fi Network].
3. When [Enable WLAN?] appears, press [Yes].  
This will start the wireless setup wizard. To cancel, press [No].
4. The machine will search for your network and display a list of available SSIDs. Press ▲ or ▼ to display the [Add SSID] option.
5. Press [Add SSID], and then press [OK].
6. Enter the SSID name, and then press [OK].
7. Select the Authentication Method.
8. Follow the instructions on the LCD to configure the settings.
9. The machine attempts to connect to the wireless device you have selected.

If your wireless device is connected successfully, the machine's LCD displays [Connected]. Press [OK], and then press .

You have completed the wireless network setup. To install the drivers or the application necessary for operating your machine, go to your model's **Downloads** page at [support.brother.com/downloads](http://support.brother.com/downloads).



## Related Information

- [Use the Wireless Network](#)

### Related Topics:

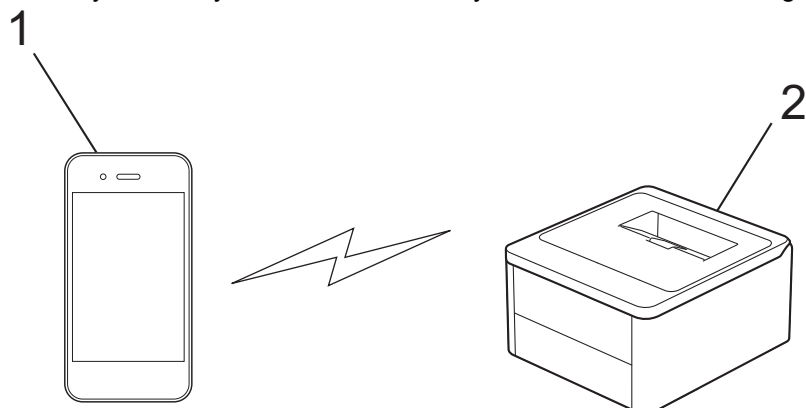
- [Wireless LAN Report Error Codes](#)

## Use Wi-Fi Direct®

- [Wi-Fi Direct Overview](#)
- [Configure Your Wi-Fi Direct Network Manually](#)
- [Configure Wi-Fi Direct Network Using the Push Button Method](#)

## Wi-Fi Direct Overview

Wi-Fi Direct is one of the wireless configuration methods developed by the Wi-Fi Alliance®. It allows you to securely connect your mobile device to your machine without using a wireless router/access point.



1. Mobile device
2. Your machine



- You can use Wi-Fi Direct with the wired or wireless network connection at the same time.
- The Wi-Fi Direct-supported device can become a Group Owner. When configuring the Wi-Fi Direct network, the Group Owner serves as an access point.



### Related Information

- [Use Wi-Fi Direct®](#)

#### Related Topics:

- [Configure Your Wi-Fi Direct Network Manually](#)
- [Configure Wi-Fi Direct Network Using the Push Button Method](#)


## Configure Your Wi-Fi Direct Network Manually

Depending on the device, if you connect to the Wi-Fi Direct network manually, your mobile device may disconnect from the connected wireless network and automatically switch to mobile data communication. If necessary, reconnect to the original wireless network after use. If your device continues to automatically switch to the Wi-Fi Direct network, turn off the automatic connection setting on your mobile device.

Configure the Wi-Fi Direct settings from the machine's control panel:



When the machine receives a Wi-Fi Direct request from your mobile device, the message [Wi-Fi Direct connection request received. Press [OK] to connect.] appears on the LCD. Press [OK] to connect.

1. Press  [Settings] > [All Settings] > [Network] > [Wi-Fi Direct] > [Manual].
2. The machine will display the SSID (Network Name) and Password (Network Key). Go to your mobile device's wireless network settings screen, select the SSID, and then enter the password.



- You can also configure a Wi-Fi Direct network using the QR Code displayed on the LCD. Scan the QR Code, and then follow the LCD instructions.
- Read the QR Code from the standard camera app on the iOS 11 or later, or from the Wi-Fi settings menu or standard camera app on Android™ 10 or later. If the QR Code cannot be read, manually enter the Network Name (SSID) and Network Key (Password) to connect.

3. When your mobile device connects successfully, the machine's LCD displays [Connected].



### Related Information

- [Use Wi-Fi Direct®](#)

#### Related Topics:


- [Wi-Fi Direct Overview](#)
- [Configure Wi-Fi Direct Network Using the Push Button Method](#)

## Configure Wi-Fi Direct Network Using the Push Button Method



To perform Wi-Fi Direct network settings when using an Android™ device, install Brother Mobile Connect, select Wi-Fi Direct as the method for connecting to this product, and follow the on-screen directions.

When the machine receives a Wi-Fi Direct request from your mobile device, the message [Wi-Fi Direct connection request received. Press [OK] to connect.] appears on the LCD. Press [OK] to connect.

1. Press  [Settings] > [All Settings] > [Network] > [Wi-Fi Direct] on your machine's LCD.
2. If your mobile device does not support Wi-Fi Direct, press [Group Owner] > [On].



Depending on the device, if you connect with [Group Owner] set to [On], your mobile device may disconnect from the connected wireless network and automatically switch to mobile data communication. If necessary, reconnect to the original wireless network after use. If your device continues to automatically switch to the Wi-Fi Direct network, turn off the automatic connection setting on your mobile device.

3. Press [Push Button].
4. When the [Activate Wi-Fi Direct on other device. Then Press [OK].] message appears, turn your mobile device's Wi-Fi Direct function on (for more information, see your mobile device's user's guide). Press [OK] on your machine.
5. Do one of the following:
  - If your mobile device displays a list of machines with Wi-Fi Direct enabled, select your Brother machine.
  - If your Brother machine displays a list of mobile devices with Wi-Fi Direct enabled, select your mobile device. To search for available devices again, press [Rescan].
6. When your mobile device connects successfully, the machine's LCD displays [Connected].





### Related Information

- [Use Wi-Fi Direct®](#)

#### Related Topics:

- [Wi-Fi Direct Overview](#)
- [Configure Your Wi-Fi Direct Network Manually](#)

## Enable/Disable Wireless LAN

1. Press  [Settings] > [All Settings] > [Network] > [WLAN (Wi-Fi)].
2. Press ▲ or ▼ to select the [WLAN Enable] option. Press [WLAN Enable].
3. Do one of the following:
  - To enable Wi-Fi, select [On].
  - To disable Wi-Fi, select [Off].
4. Press .





### Related Information

- [Wireless Network Settings](#)

## Print the WLAN Report

The WLAN Report shows your machine's wireless status. If the wireless connection fails, check the error code on the printed report.

1. Press  [Settings] > [All Settings] > [Print Reports] > [WLAN Report].
2. Press [Yes].  
The machine will print the WLAN Report.
3. Press .

If the WLAN Report does not print, check your machine for errors. If there are no visible errors, wait for one minute and then try to print the report again.



### Related Information

- [Wireless Network Settings](#)
- [Wireless LAN Report Error Codes](#)

## Wireless LAN Report Error Codes

If the Wireless LAN Report shows that the connection failed, check the error code on the printed report and see the corresponding instructions in the table:

Error Code	Problem and Recommended Solutions
TS-01	<p>The WLAN (Wi-Fi) is not enabled.</p> <p>Check the following points and try to set up your wireless connection again:</p> <ul style="list-style-type: none"> <li>• Enable the WLAN setting on your machine.</li> <li>• If a network cable is connected to your machine, disconnect it.</li> </ul>
TS-02	<p>The wireless router/access point cannot be detected.</p> <p>Check the following points and try to set up your wireless connection again:</p> <ul style="list-style-type: none"> <li>• Make sure the wireless router/access point is on.</li> <li>• Temporarily place your machine closer to the wireless router/access point when you are configuring the wireless settings.</li> <li>• If your wireless router/access point is using MAC address filtering, confirm that the MAC address of the machine is allowed in the filter. You can find the MAC address by printing the Network Configuration Report or the Printer Settings page.</li> <li>• If you manually entered the Network Name (SSID) and security information (authentication method/encryption method), the information may be incorrect. Check the Network Name and security information again and re-enter the correct information.</li> <li>• Restart your wireless router/access point. If you cannot find the Network Name (SSID) and security information, see the documentation provided with your wireless router/access point, or contact the router manufacturer, your system administrator, or Internet service provider.</li> </ul>
TS-03	<p>The wireless enterprise network and security settings you entered may be incorrect.</p> <p>Check the following points and try to set up your wireless connection again:</p> <p>Verify the following information:</p> <ul style="list-style-type: none"> <li>- Network Name (SSID) you selected to configure your machine.</li> <li>- Security information you selected to configure your machine (such as the authentication method, encryption method, or User ID).</li> </ul> <p>If you still cannot find the Network Name (SSID) and security information, see the documentation provided with your wireless router/access point, or contact the router manufacturer, your system administrator, or Internet service provider.</p>
TS-04	<p>Your machine does not support the authentication and encryption methods used by the selected wireless router/access point.</p> <p>For infrastructure mode (Most common)</p> <p>Change the authentication and encryption methods of the wireless router/access point. Your machine supports the following authentication and encryption methods:</p> <ul style="list-style-type: none"> <li>• WPA-Personal: TKIP / AES</li> <li>• WPA2-Personal: TKIP / AES</li> <li>• WPA3-Personal: AES</li> <li>• OPEN: WEP / NONE (without encryption)</li> <li>• Shared key: WEP</li> </ul> <p>If your issue is not resolved, the Network Name (SSID) or security settings you entered may be incorrect. Check that all wireless network settings are correct for your network.</p>

Error Code	Problem and Recommended Solutions
TS-05	<p>The Network Name (SSID) and Network Key (Password) are incorrect.</p> <p>Check the following points and try to set up your wireless connection again:</p> <ul style="list-style-type: none"> <li>• Confirm the Network Name (SSID) and Network Key (Password).</li> <li>• If your Network Key contains upper-case and lower-case letters, make sure you type them correctly.</li> <li>• If you cannot find the Network Name (SSID) and security information, see the documentation provided with your wireless router/access point, or contact the router manufacturer, your system administrator, or Internet service provider.</li> <li>• If your wireless router/access point uses WEP encryption with multiple WEP keys, write down and use only the first WEP key.</li> </ul>
TS-06	<p>The wireless security information (authentication method/encryption method/Network Key (Password)) is incorrect.</p> <p>Check the following points and try to set up your wireless connection again:</p> <ul style="list-style-type: none"> <li>• Confirm the Network Key. If your Network Key contains upper-case and lower-case letters, make sure you type them correctly.</li> <li>• Confirm whether the authentication method entered and the authentication method or encryption method supported by the wireless router/access point are the same.</li> <li>• If the Network key, authentication method, and encryption method have been confirmed, restart your wireless router/access point and the machine.</li> <li>• If your wireless router/access point's Stealth Mode is on, you may need to disable it to connect to the wireless network.</li> </ul> <p>If you cannot find the Network Name (SSID) and security information, see the documentation provided with your wireless router/access point, or contact the router manufacturer, your system administrator, or Internet service provider.</p>
TS-07	<p>The machine cannot detect a wireless router/access point that has WPS (Wi-Fi Protected Setup) enabled.</p> <p>Check the following points and try again:</p> <ul style="list-style-type: none"> <li>• To check if your wireless router/access point supports WPS, look for the WPS symbol displayed on the router/access point. For more information, see the documentation provided with your wireless router/access point.</li> <li>• To set up your wireless connection using WPS, you must configure both your machine and the wireless router/access point. For more information, see the user's guide.</li> <li>• If you do not know how to set up your wireless router/access point using WPS, see the documentation provided with your wireless router/access point, or contact the router manufacturer, your system administrator, or Internet service provider.</li> </ul>
TS-08	<p>Two or more wireless routers or access points that have WPS enabled are detected.</p> <p>Check the following points and try again:</p> <ul style="list-style-type: none"> <li>• Make sure that only one wireless router/access point within range has WPS enabled, and then try to connect again.</li> <li>• Try to connect again after a few minutes to avoid interference from other access points/routers.</li> </ul>



---

How to confirm wireless security information (SSID/authentication method/encryption method/Network Key) of your WLAN access point/router:

1. The default security settings may be provided on a label attached to the WLAN access point/router. Or the manufacturer's name or model number of the WLAN access point/router may be used as the default security settings.
2. See the documentation provided with your WLAN access point/router for information on how to find the security settings.
  - If the WLAN access point/router is set to not broadcast the SSID, the SSID will not automatically be detected. You will have to manually enter the SSID name.
  - The Network Key may also be described as the Password, Security Key, or Encryption Key.

If you do not know the SSID and wireless security settings of your WLAN access point/router or how to change the configuration, see the documentation provided with your WLAN access point/router, ask the manufacturer of your access point/router or ask your Internet provider or network administrator.

---



## Related Information

- [Print the WLAN Report](#)

### Related Topics:

- [Configure Your Machine for a Wireless Network Using the One Push Method of Wi-Fi Protected Setup™ \(WPS\)](#)
  - [Configure Your Machine for a Wireless Network Using the PIN Method of Wi-Fi Protected Setup™ \(WPS\)](#)
  - [Configure Your Machine for a Wireless Network Using the Machine's Control Panel Setup Wizard](#)
  - [Configure Your Machine for a Wireless Network When the SSID Is Not Broadcast](#)
  - [Configure Your Machine for an Enterprise Wireless Network](#)
-

## Network Features

- [Configure the Proxy Server Settings Using Web Based Management](#)
- [Print the Network Configuration Report](#)
- [Synchronise Time with the SNTP Server Using Web Based Management](#)
- [Gigabit Ethernet \(Wired Network Only\)](#)
- [Use Global Network Detection Features](#)
- [Reset the Network Settings to the Factory Settings](#)

## Configure the Proxy Server Settings Using Web Based Management

If your network uses a proxy server, the following proxy server information must be configured using Web Based Management:

- Proxy server address
- Port number
- User Name
- Password

1. Start Web Based Management. See [Access Web Based Management](#).
2. In the left navigation bar, click **Network > Network > Protocol**.



If the left navigation bar is not visible, start navigating from ☰.

3. Make sure the **Proxy** checkbox is selected, and then click **Submit**.
4. In the **Proxy** field, click **Advanced Settings**.
5. Enter the proxy server information.
6. Click **Submit**.



### Related Information

- [Network Features](#)

#### Related Topics:



- [Configure the Proxy Server Settings Using the Machine's Control Panel](#)
- [Access Web Based Management](#)

## Print the Network Configuration Report

The Network Configuration Report lists the network configuration, including the network print server settings.



- The Node Name appears on the Network Configuration Report. The default Node Name is "BRN123456abcdef" for a wired network or "BRW123456abcdef" for a wireless network (where "123456abcdef" is your machine's MAC Address / Ethernet Address.)
- If the IP Address on the Network Configuration Report shows 0.0.0.0, wait for one minute and try printing it again.
- You can find your machine's settings, such as the IP address, subnet mask, node name, and MAC Address on the report, for example:
  - IP address: 192.168.0.5
  - Subnet mask: 255.255.255.0
  - Node name: BRN000ca0000499
  - MAC Address: 00-0c-a0-00-04-99

1. Press  [Settings] > [All Settings] > [Print Reports] > [Network Configuration].
2. Press [Yes].  
The machine prints the Network Configuration Report.
3. Press .



### Related Information

- [Network Features](#)

#### Related Topics:

- [Access Web Based Management](#)

## **Synchronise Time with the SNTP Server Using Web Based Management**

The Simple Network Time Protocol (SNTP) is used to synchronise the time used by the machine for authentication with the SNTP time server. You can automatically or manually synchronise the machine's time with the Coordinated Universal Time (UTC) provided by the SNTP time server.

- [Configure Date and Time Using Web Based Management](#)
- [Configure the SNTP Protocol Using Web Based Management](#)

## Configure Date and Time Using Web Based Management

Configure the date and time to synchronise the time used by the machine with the SNTP time server.

This feature is not available in some countries.

1. Start Web Based Management. See [Access Web Based Management](#).
2. In the left navigation bar, click **Administrator** > **Date&Time**.



If the left navigation bar is not visible, start navigating from ☰.

3. Verify the **Time Zone** settings.



Select the time difference between your location and UTC from the **Time Zone** drop-down list. For example, the time zone for Eastern Time in the USA and Canada is UTC-05:00.

4. Click **Submit**.



### Related Information

- [Synchronise Time with the SNTP Server Using Web Based Management](#)

#### Related Topics:


- [Access Web Based Management](#)

## Configure the SNTP Protocol Using Web Based Management

Configure the SNTP protocol to synchronise the time the machine uses for authentication with the time kept by the SNTP time server.

1. Start Web Based Management. See [Access Web Based Management](#).
2. In the left navigation bar, click **Network > Network > Protocol**.



If the left navigation bar is not visible, start navigating from .

3. Select the **SNTP** checkbox to activate the settings.
4. Click **Submit**.
5. Restart your Brother machine to activate the configuration.
6. Next to the SNTP checkbox, click **Advanced Settings**.
7. Configure the settings.

Option	Description
<b>Status</b>	Displays whether the SNTP protocol is enabled or disabled.
<b>Synchronization Status</b>	Confirm the latest synchronisation status.
<b>SNTP Server Method</b>	Select <b>AUTO</b> or <b>STATIC</b> . <ul style="list-style-type: none"><li>• <b>AUTO</b> If you have a DHCP server on your network, the SNTP server will obtain the address from that server automatically.</li><li>• <b>STATIC</b> Type the address you want to use.</li></ul>
<b>Primary SNTP Server Address</b> <b>Secondary SNTP Server Address</b>	Type the server's address (up to 64 characters). The secondary SNTP server's address is used as a backup to the primary SNTP server's address. If the primary server is unavailable, the machine will contact the secondary SNTP server.
<b>Primary SNTP Server Port</b> <b>Secondary SNTP Server Port</b>	Type the port number (1-65535). The secondary SNTP server port is used as a backup to the primary SNTP server port. If the primary port is unavailable, the machine will contact the secondary SNTP port.
<b>Synchronization Interval</b>	Type the number of hours between server synchronisation attempts (1-168 hours).

8. Click **Submit**.



### Related Information

- [Synchronise Time with the SNTP Server Using Web Based Management](#)

#### Related Topics:

- [Access Web Based Management](#)

## Gigabit Ethernet (Wired Network Only)

Your machine supports 1000BASE-T Gigabit Ethernet. To connect to a 1000BASE-T Gigabit Ethernet Network, you must set the machine's Ethernet link mode to Auto from the machine's control panel or Web Based Management (web browser).



---

Use a Category 5e (or greater) network cable. The machine can automatically negotiate the highest supported network speed, for example: to achieve 1000BASE-T network speeds, all connecting infrastructure, including network switches and cables must also support 1000BASE-T speeds. Otherwise the machine will communicate at either 10BASE-T or 100BASE-TX.

---



### Related Information

- [Network Features](#)
-



## Use Global Network Detection Features

When you use your machine on a private network, use the Global Network Detection feature to avoid a risk from unexpected attacks from the global network.

- [Enable Global IP Address Detection](#)
- [Block Communications from the Global Network](#)

## Enable Global IP Address Detection

Use this feature to check your machine's IP address. When your machine is assigned to a global IP address, an alert is displayed on the machine.

1. Press  [Settings] > [All Settings] > [Network] > [Global Detect] > [Allow Detect] > [On].
2. Press .





### Related Information

- [Use Global Network Detection Features](#)
-

## Block Communications from the Global Network



When you enable this feature, it limits receiving jobs from devices with global IP addresses

1. Press  [Settings] > [All Settings] > [Network] > [Global Detect] > [Reject Access] > [On].
2. Press .



### Related Information


- [Use Global Network Detection Features](#)

## Reset the Network Settings to the Factory Settings

Use your machine's control panel to reset the machine's network settings to its default factory settings. This resets all information except the administrator password.



You can also reset the print server to its factory settings using Web Based Management.

1. Press  [Settings] > [All Settings] > [Network] > [Network Reset].
2. [Reboot OK?] will be displayed. Press [Yes] for two seconds to confirm.  
The machine will restart.



### Related Information

- [Network Features](#)

#### Related Topics:

- [Reset Functions](#)

## Brother Management Tools

Use one of Brother's management tools to configure your Brother machine's network settings. Go to your model's **Downloads** page at [support.brother.com/downloads](http://support.brother.com/downloads) to download the tools.



### Related Information

- [Network](#)
-

## Security

Your machine supports the security features listed below. For more information about each security feature, go to your model's *Security Features Guide* at [support.brother.com/g/s/id/html/doc/common/sfg/eng/index.html](http://support.brother.com/g/s/id/html/doc/common/sfg/eng/index.html).

- Network Security > Configure Certificates for Device Security
- Network Security > Use SSL/TLS
- Network Security > Use SNMPv3
- Network Security > Use IPsec
- Network Security > Use IEEE 802.1x Authentication for Your Network
- User Authentication > Use Active Directory Authentication
- User Authentication > Use LDAP Authentication
- User Authentication > Use Secure Function Lock 3.0
- Send or Receive an Email Securely
- Store Print Log to Network

## Mobile/Web Connect

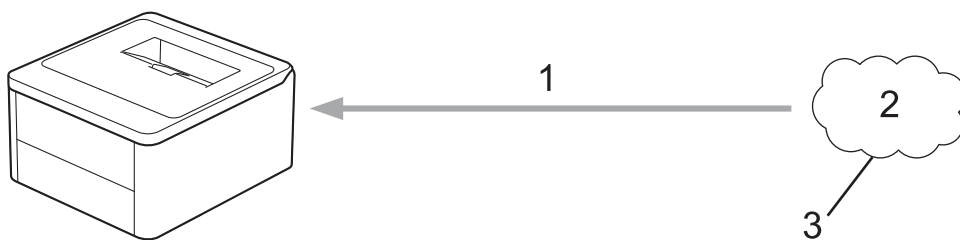
- [Brother Web Connect](#)
- [AirPrint](#)
- [Mopria™ Print Service](#)
- [Brother Mobile Connect](#)

## Brother Web Connect

- [Brother Web Connect Overview](#)
- [Online Services Used with Brother Web Connect](#)
- [Set Up Brother Web Connect](#)
- [Download and Print Documents Using Brother Web Connect](#)

## Brother Web Connect Overview

Certain websites provide services that allow users to upload and view images and files on the websites. Your Brother machine can download and print images that are already uploaded to these services.



1. Printing
2. Photos, images, documents, and other files
3. Web Service

To use Brother Web Connect, your Brother machine must be connected to a network that has access to the Internet, through either a wired or wireless connection.

For network setups that use a proxy server, the machine must also be configured to use a proxy server. If you are unsure of your network configuration, check with your network administrator.



A proxy server is a computer that serves as an intermediary between computers without a direct Internet connection, and the Internet.



### ✓ Related Information

- [Brother Web Connect](#)
  - [Configure the Proxy Server Settings Using the Machine's Control Panel](#)

## Configure the Proxy Server Settings Using the Machine's Control Panel

If your network uses a proxy server, the following proxy server information must be configured on the machine:

- Proxy server address
- Port number
- User Name
- Password

1. Press  [Settings] > [All Settings] > [Network] > [Web Connect Settings] > [Proxy Settings] > [Proxy Connection] > [On].
2. Press the proxy server information, and then enter the option that you want to set.
3. Press [OK].
4. Press .



### Related Information

- [Brother Web Connect Overview](#)

#### Related Topics:

- [Configure the Proxy Server Settings Using Web Based Management](#)

## Online Services Used with Brother Web Connect

Use Brother Web Connect to access services from your Brother machine.

To use Brother Web Connect, you must have an account with the online service you want to use.

- Google Drive™
- Evernote®
- Dropbox
- OneDrive
- Box
- OneNote
- SharePoint Online

For more information about any of these services, refer to the respective service's website.

The following table describes which file types can be used with each Brother Web Connect feature:

Accessible Services	Google Drive™ Evernote® Dropbox OneDrive Box OneNote SharePoint Online
Download and print images <sup>1</sup>	JPEG PDF DOCX XLSX PPTX

<sup>1</sup> DOC/XLS/PPT formats are also available for downloading and printing images.



(For Hong Kong, Taiwan and Korea)

Brother Web Connect supports only file names written in English. Files named in the local language will not be downloaded.



### Related Information

- [Brother Web Connect](#)

## Set Up Brother Web Connect

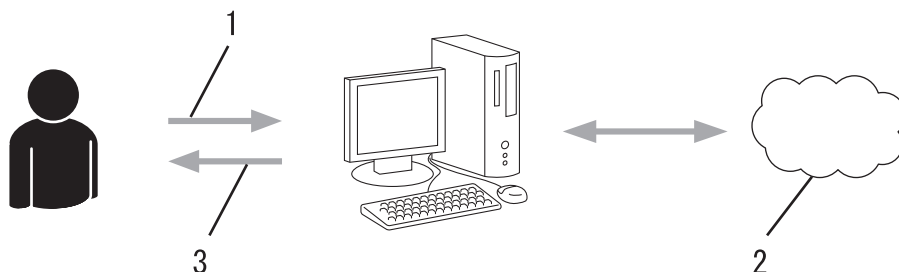
- [Brother Web Connect Setup Overview](#)
- [Apply for Brother Web Connect Access](#)
- [Register an Account on Your Brother Machine for Brother Web Connect](#)

## Brother Web Connect Setup Overview

Configure the Brother Web Connect settings using the following procedure:

### Step 1: Create an account with the service you want to use.

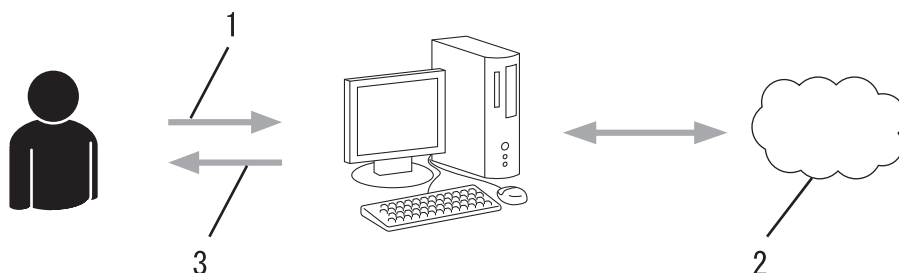
Access the service's website using a computer and create an account. (If you already have an account, there is no need to create an additional account.)



1. User registration
2. Web Service
3. Obtain account

### Step 2: Apply for Brother Web Connect access.

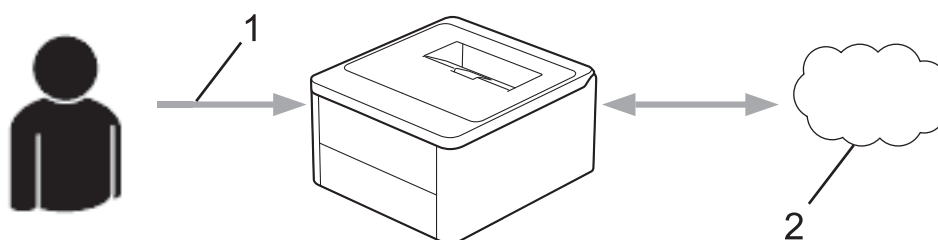
Start Brother Web Connect access using a computer and obtain a temporary ID.



1. Enter account information
2. Brother Web Connect application page
3. Obtain temporary ID

### Step 3: Register your account information on your machine so you can access the service you want to use.

Enter the temporary ID to enable the service on your machine. Specify the account name as you would like it to be displayed on the machine, and enter a PIN if you would like to use one.



1. Enter temporary ID
2. Web Service

Your Brother machine can now use the service.





## Related Information

- [Set Up Brother Web Connect](#)
-

## Apply for Brother Web Connect Access


To use Brother Web Connect to access online services, you must first apply for Brother Web Connect access using a computer that has the Brother Software installed.

1. Access the Brother Web Connect application website:

Option	Description
Windows	Launch  ( <b>Brother Utilities</b> ), and then click the drop-down list and select your model name (if not already selected). Click <b>Do More</b> in the left navigation bar, and then click <b>Brother Web Connect</b> .
	 You can also access the website directly: Type <a href="http://bwc.brother.com">bwc.brother.com</a> into your web browser's address bar.
Mac	Type <a href="http://bwc.brother.com">bwc.brother.com</a> into your web browser's address bar.

The Brother Web Connect page launches.

2. Select the service you want to use.
3. Follow the on-screen instructions and apply for access.

 When using SharePoint Online, follow the on-screen instructions to register a document library.

When finished, your temporary ID appears.

Get connected with Brother Web Connect

**Finished the registration.**

Please enter the following temporary ID on the LCD screen of your machine.

**Temporary ID (11 digits)**

XXXXXXXXXXXX

NOTE : The temporary ID will expire in 24 hours.

4. Make a note of your temporary ID as you will need it to register accounts to the machine. The temporary ID is valid for 24 hours.
5. Close the web browser.

Now that you have a Brother Web Connect access ID, you must register this ID on your machine, and then use your machine to access the web service you want to use.

### Related Information

- [Set Up Brother Web Connect](#)

---

**Related Topics:**

- [Register an Account on Your Brother Machine for Brother Web Connect](#)
-

## Register an Account on Your Brother Machine for Brother Web Connect

You must enter your Brother Web Connect account information and configure your machine so that it can use Brother Web Connect to access the service you want.

- You must apply for Brother Web Connect access to register an account on your machine.
- Before you register an account, confirm that the correct date and time are set on the machine.

1. Press [Functions] > [Web].



- If information regarding the Internet connection appears on the machine's LCD, read the information and press [OK]. If you want to display this information again, press [Yes].
- Occasionally, updates or announcements about Brother Web Connect's features will appear on the LCD. Read the information, and then press [OK].

2. If the information regarding licence agreement appears, make your selection and follow the on-screen instructions.

3. Press ▲ or ▼ to display the service with which you want to register.

4. Press the service name.

5. If information regarding Brother Web Connect appears, press [OK].

6. Press [Register/Delete].

7. Press [Register Account].

The machine prompts you to enter the temporary ID you received when you applied for Brother Web Connect access.

8. Press [OK].

9. Enter the temporary ID using the LCD.

10. Press [OK].



An error message will appear on the LCD if the information you entered does not match the temporary ID you received when you applied for access, or if the temporary ID has expired. Enter the temporary ID correctly, or apply for access again to receive a new temporary ID.

The machine will prompt you to enter the account name that you want to be displayed on the LCD.

11. Press [OK].

12. Enter the name using the LCD.

13. Press [OK].

14. Do one of the following:

- To set a PIN for the account, press [Yes]. (A PIN prevents unauthorised access to the account.) Enter a four-digit number, and then press [OK].
- If you do not want to set a PIN, press [No].

15. When the account information you entered appears, confirm that it is correct.

16. Press [Yes] to register your information as entered.

17. Press [OK].

18. Press .

Registration is complete and your machine can now access the service.



---

## Related Information

- [Set Up Brother Web Connect](#)

### **Related Topics:**

- [How to Enter Text on Your Machine](#)
  - [Apply for Brother Web Connect Access](#)
-

## Download and Print Documents Using Brother Web Connect

Documents that have been uploaded to your account can be downloaded directly to your machine and printed. Documents that other users have uploaded to their own accounts for sharing can also be downloaded to your machine and printed, as long as you have viewing privileges for those documents.

1. Press [Functions] > [Web].



- If information regarding the Internet connection appears on the machine's LCD, read the information and press [OK]. If you want to display this information again, press [Yes].
- Occasionally, updates or announcements about Brother Web Connect's features will appear on the LCD. Read the information, and then press [OK].

2. Press ▲ or ▼ to display the service that hosts the document you want to download and print. Press the service name.
3. To log on to the service, press ▲ or ▼ to display your account name, and then press it. If the PIN entry screen appears, enter the four-digit PIN and press [OK].
4. Press ▲ or ▼ to display the folder you want, and then press it. Some services do not require documents to be saved in folders. For documents not saved in folders, select [See Unsorted Files] to select documents. Other users' documents cannot be downloaded if they are not saved in a folder.
5. Select the documents you want to print and then press [OK].
6. When finished, press [OK].
7. Follow the on-screen instructions to complete this operation.



### Related Information

- [Brother Web Connect](#)

#### Related Topics:

- [How to Enter Text on Your Machine](#)

## AirPrint

- [AirPrint Overview](#)
- [Before Using AirPrint \(macOS\)](#)
- [Print Using AirPrint](#)

## AirPrint Overview

AirPrint is a printing solution for Apple operating systems that allows you to wirelessly print photos, email, web pages, and documents from your iPad, iPhone, iPod touch, and Mac computer without the need to install a driver.

For more information, visit Apple's website.

Use of the Works with Apple badge means that an accessory has been designed to work specifically with the technology identified in the badge and has been certified by the developer to meet Apple performance standards.



### Related Information

- [AirPrint](#)

## Before Using AirPrint (macOS)

Before printing using macOS, add your machine to the printer list on your Mac computer.

1. Select **System Settings** from the Apple menu.
2. Select **Printers & Scanners**.
3. Click **Add Printer, Scanner, or Fax...**  
The **Add Printer** screen appears.
4. Select your machine, and then select your model's name from the **Use** pop-up menu.
5. Click **Add**.



### Related Information



- [AirPrint](#)
-

## Print Using AirPrint

- [Print from iPad, iPhone, or iPod touch](#)
- [Print Using AirPrint \(macOS\)](#)

## Print from iPad, iPhone, or iPod touch

The procedure used to print may vary by application. Safari is used in the example below.

1. Make sure your machine is turned on.
2. Load the paper in the paper tray and change the paper tray settings on your machine.
3. Use Safari to open the page that you want to print.
4. Tap  or .
5. Tap **Print**.
6. Make sure your machine is selected.
7. If a different machine (or no machine) is selected, tap **Printer**.  
A list of available machines appears.
8. Tap your machine's name in the list.
9. Select the options you want, such as the number of pages to print and 2-sided printing (if supported by your machine).
10. Tap **Print**.



### Related Information

- [Print Using AirPrint](#)

## Print Using AirPrint (macOS)

The procedure used to print may vary by application. Safari is used in the example below. Before printing, make sure your machine is in the printer list on your Mac computer.

1. Make sure your machine is turned on.
2. Load the paper in the paper tray and change the paper tray settings on your machine.
3. On your Mac computer, use Safari to open the page that you want to print.
4. Click the **File** menu, and then select **Print**.
5. Make sure your machine is selected. If a different machine (or no machine) is selected, click the **Printer** pop-up menu, and then select your machine.
6. Select the desired options, such as the number of pages to print and 2-sided printing (if supported by your machine).
7. Click **Print**.



### Related Information

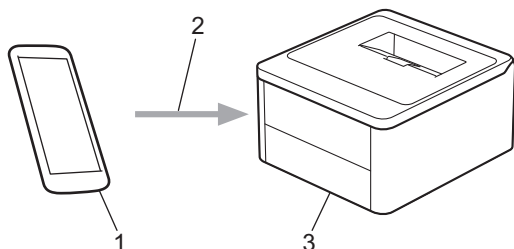
- [Print Using AirPrint](#)

#### Related Topics:

- [Before Using AirPrint \(macOS\)](#)

## Mopria™ Print Service

Mopria™ Print Service is a print feature on Android™ mobile devices developed by the Mopria Alliance™. With this service, you can connect to the same network as your machine and print without additional setup.



1. Android™ Mobile Device
2. Wi-Fi® Connection
3. Your Machine

You must download the Mopria™ Print Service from Google Play™ and install it on your Android™ device. Before using this Mopria™ feature, make sure you enable it on your mobile device.

For more information on Mopria™ Print Service, visit <https://www.mopria.org>.



### Related Information

- [Mobile/Web Connect](#)

## Brother Mobile Connect

Use Brother Mobile Connect to print from your mobile device.

- For Android™ devices:

Brother Mobile Connect allows you to use your Brother machine's features directly from your Android™ device.

Download and install Brother Mobile Connect from Google Play™.

- For all iOS or iPadOS supported devices including iPhone, iPad, and iPod touch:

Brother Mobile Connect allows you to use your Brother machine's features directly from your iOS or iPadOS device.

Download and install Brother Mobile Connect from the App Store.



### Related Information

- [Mobile/Web Connect](#)

#### Related Topics:

- [Access Brother iPrint&Scan \(Windows/Mac\)](#)

## Troubleshooting

For the latest FAQs & Troubleshooting tips, visit [support.brother.com/faqs](https://support.brother.com/faqs).

## Routine Maintenance

- [Replace Supplies](#)
- [Clean the Machine](#)
- [Correct Colour Printing](#)
- [Check the Remaining Part Life](#)
- [Monitor Machine Status Using Brother iPrint&Scan \(Windows/Mac\)](#)
- [Check the Machine Information](#)
- [Update Your Machine's Firmware](#)
- [Reset Functions](#)
- [Pack and Ship Your Machine](#)

## Replace Supplies

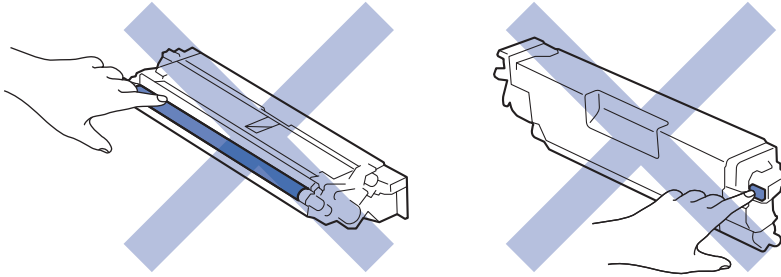
You must replace supplies when the machine indicates that the life of the supply is over.

The toner cartridge and drum unit are two separate supplies. Make sure both are installed as an assembly. The product code of supplies may vary depending on the country.

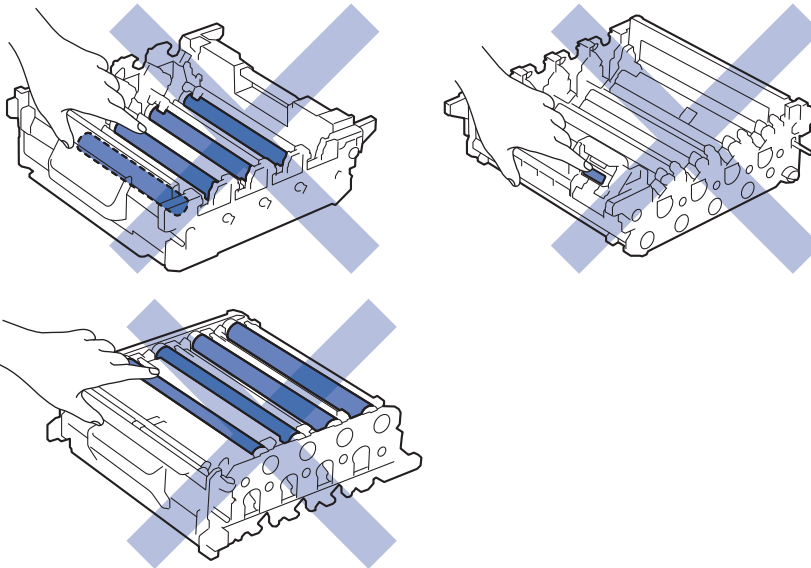
### IMPORTANT

To avoid print quality problems, DO NOT touch the shaded parts shown in the illustrations.

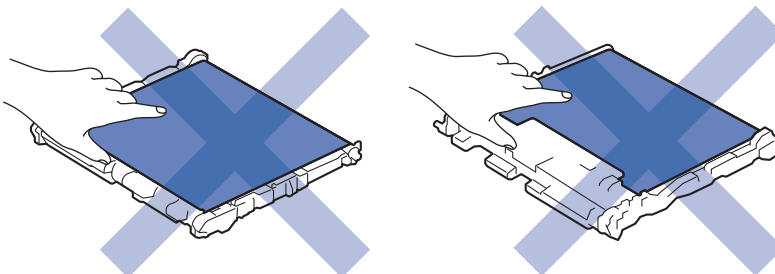
#### Toner Cartridge



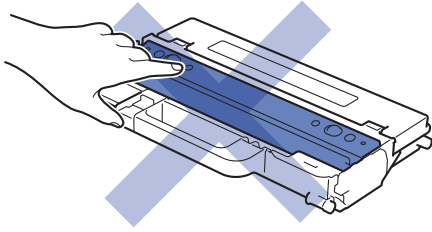
#### Drum Unit



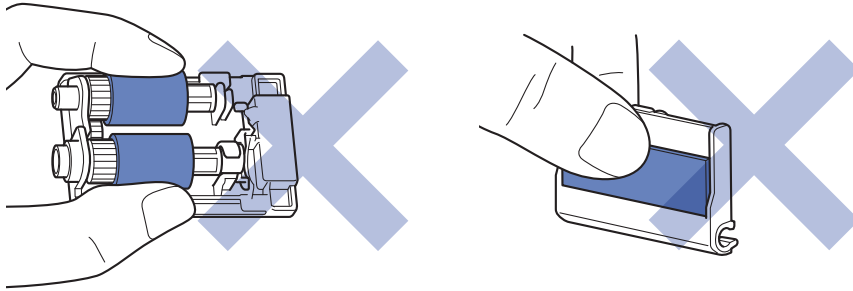
#### Belt Unit



## Waste Toner Box



## Paper Feeding Kit for the Multi-purpose (MP) Tray



## NOTE

- Be sure to seal the used supplies tightly in a bag so that toner powder does not spill out of the cartridge.
- Discard used consumable items according to local regulations, keeping it separate from domestic waste. If you have questions, call your local waste disposal office. Be sure to reseal the consumable items tightly so that the material inside does not spill.
- We recommend placing both the new and the used supplies on a piece of paper to prevent accidentally spilling or scattering the contents.
- Using paper that is not a direct equivalent for a recommended print media may reduce the life of supplies and machine parts.
- The projected life for each of the toner cartridges is based on ISO/IEC 19798. Frequency of replacement will vary depending on the print volume, percentage of coverage, types of media used, and powering on/off the machine.
- Frequency of replacing supplies except toner cartridges will vary depending on the print volume, types of media used, and powering on/off the machine.
- Handle the toner cartridge carefully. If toner scatters on your hands or clothes, immediately wipe or wash it off with cold water.



- DO NOT turn the waste toner box upside down, otherwise the toner may spill out.
- DO NOT touch the IC chip surfaces on the toner cartridge and the drum unit. Contamination and damage may interfere with the detection of each unit.



## Related Information

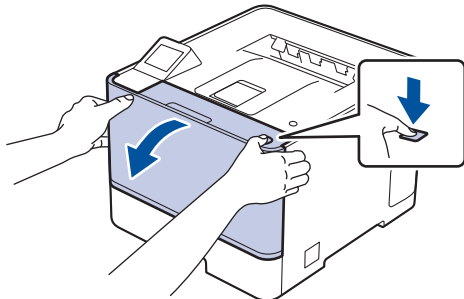
- [Routine Maintenance](#)
  - [Replace the Toner Cartridge](#)
  - [Replace the Drum Unit](#)
  - [Replace the Belt Unit](#)
  - [Replace the Waste Toner Box](#)
  - [Replace the Fuser Unit](#)

- 
- Replace the Paper Feeding Kit for the Multi-purpose (MP) Tray
-

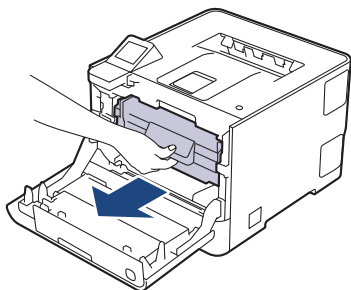
## Replace the Toner Cartridge

Before starting the replacement procedure, see *Related Information: Replace Supplies*.

1. Make sure the machine is turned on.
2. Press the front cover release button and open the front cover.



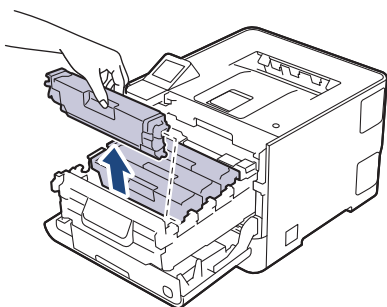
3. Hold the drum unit's green labeled handle. Pull the drum unit out of the machine until it stops.



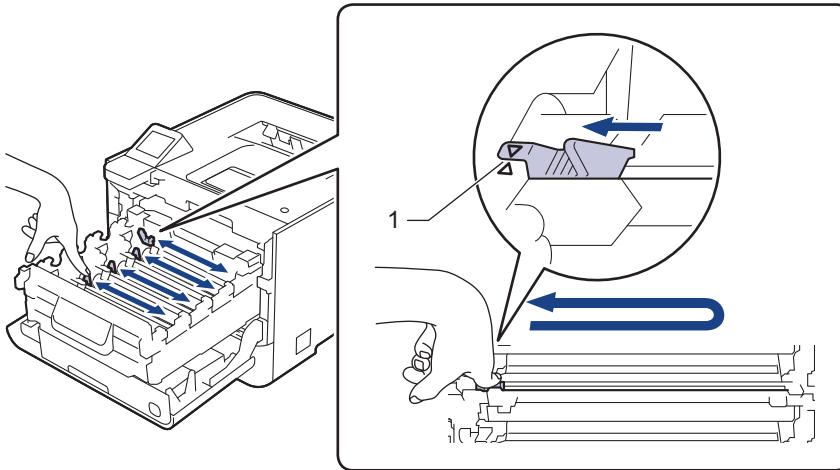
### IMPORTANT

We recommend placing the toner cartridge and drum unit assembly on a clean, flat surface with disposable paper underneath it in case you accidentally spill or scatter toner.


4. Hold the handle of the toner cartridge and pull the toner cartridge up and out of the drum unit. Repeat this for all toner cartridges.



5. Clean the corona wire inside the drum unit by gently sliding the green tab from left to right and right to left several times. Repeat this for all the corona wires.

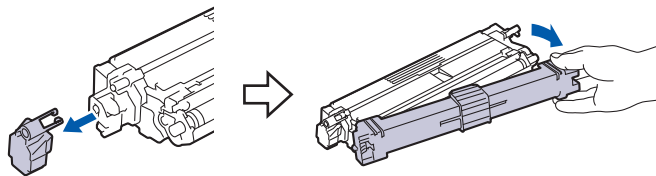


---

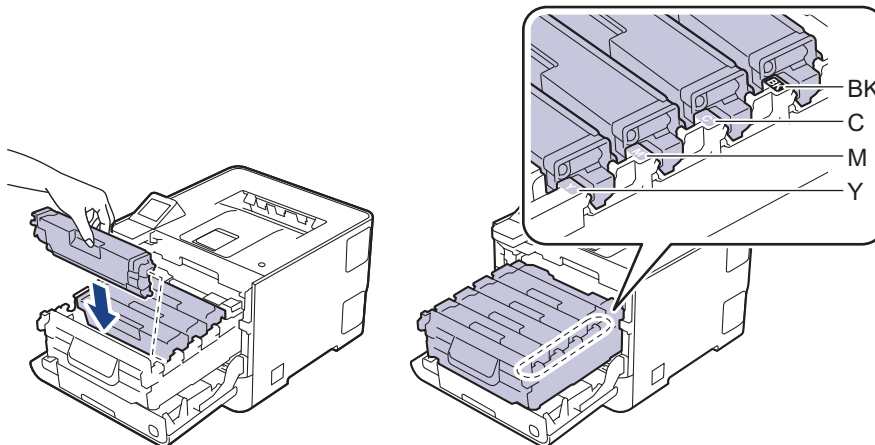
 To avoid poor print quality, be sure to lock the green tab into the home position (1), flush left with the left side of the drum.

---

6. Unpack the new toner cartridge.
7. Remove the protective materials.




8. Insert the toner cartridge into the drum unit. Make sure that you match the toner cartridge colour to the same colour label on the drum unit. Repeat this for all toner cartridges.



- BK: Black
- C: Cyan
- M: Magenta
- Y: Yellow

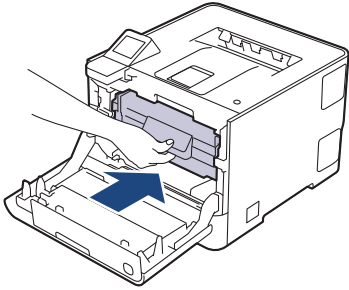
---

 Make sure you put the toner cartridge in correctly or it may separate from the drum unit.

---

---

9. Using the green labeled handle, push the drum unit back into the machine until it locks in place.



10. Close the machine's front cover.



- 
- After replacing a toner cartridge, **DO NOT** turn the machine off or open the front cover until the machine's display returns to Ready Mode.
  - The toner cartridge that comes with your Brother machine is an Inbox toner cartridge.
  - We recommend keeping a new toner cartridge ready for use when you see the Toner Low warning.
  - **DO NOT** unpack the new toner cartridge until you are ready to install it.
  - If a toner cartridge is left unpacked for a long time, the toner life will be shortened.
  - We recommend using genuine Brother supplies to ensure stable print quality and performance. Although not all non-genuine supplies may cause quality issues, it is possible that some may adversely affect print quality or cause machine malfunction. Brother may charge for repairing your machine if it is proven that non-genuine supplies caused the damage, even if the machine is still covered by the warranty.
- 



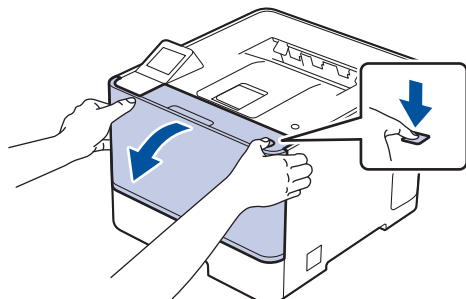
### Related Information

- [Replace Supplies](#)
-

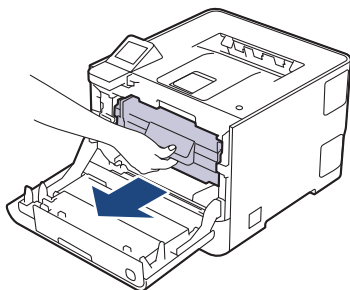
## Replace the Drum Unit

Before starting the replacement procedure, see *Related Information: Replace Supplies*.

1. Make sure the machine is turned on.
2. Press the front cover release button and open the front cover.



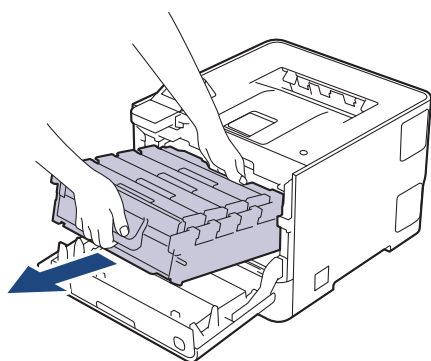
3. Hold the drum unit's green labeled handle. Pull the drum unit out of the machine until it stops.



### IMPORTANT

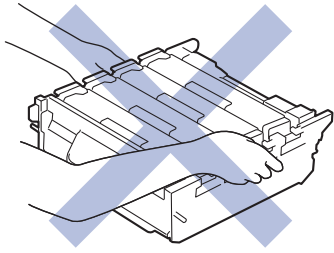
We recommend placing the toner cartridge and drum unit assembly on a clean, flat surface with disposable paper underneath it in case you accidentally spill or scatter toner.

4. Holding the green labeled handles of the drum unit, lift the front of the drum unit and remove it from the machine.

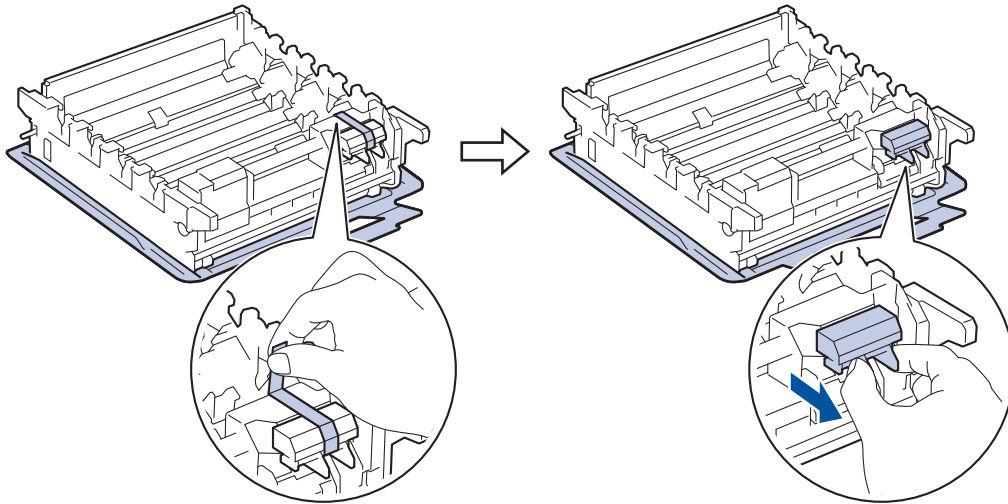


### IMPORTANT

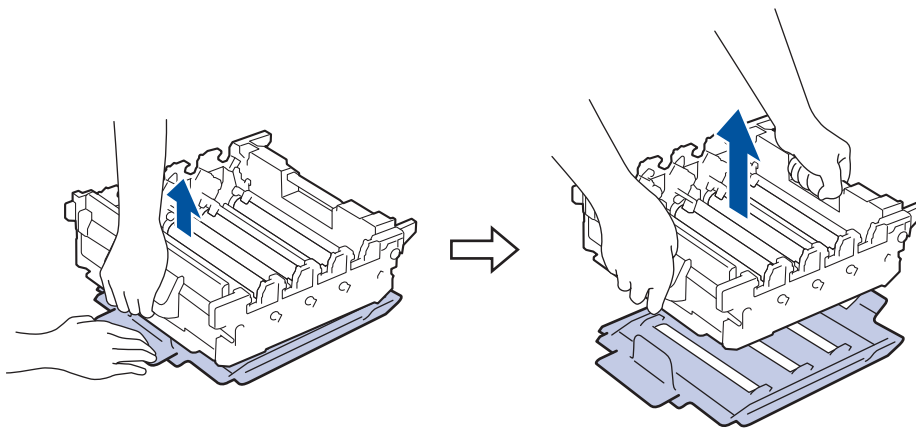
Hold the handles of the drum unit when you carry it. DO NOT hold the sides of the drum unit.



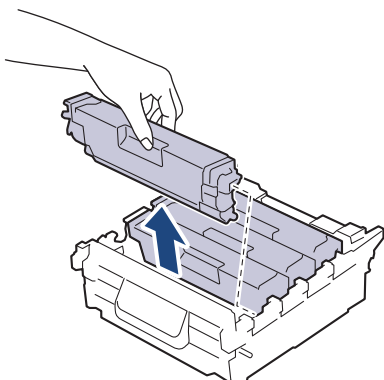
5. Unpack the new drum unit.
6. Remove the blue tape from the back of the drum unit, and then remove the protective cover.



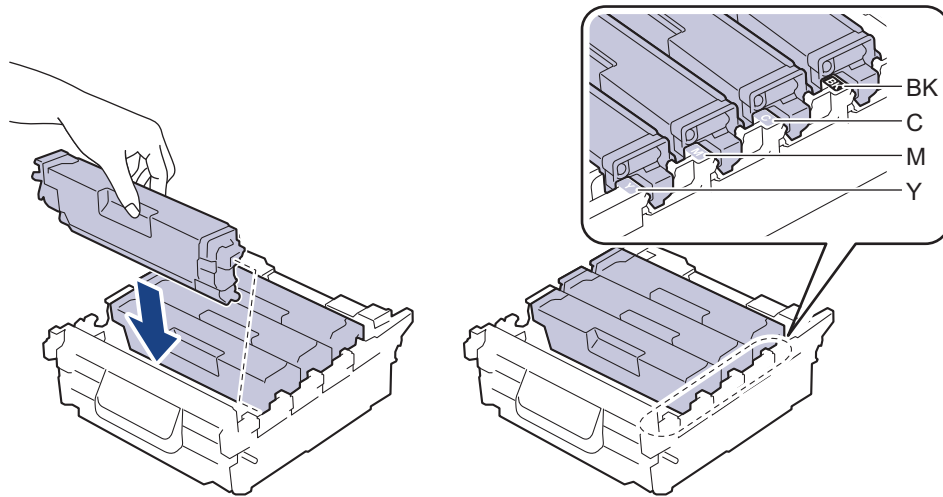
7. Remove the protective cover under the drum unit.



8. Hold the handle of the toner cartridge and pull the toner cartridge up and out of the drum unit. Repeat this for all toner cartridges.



9. Reinsert the toner cartridge into the new drum unit. Make sure that you match the toner cartridge colour to the same colour label on the drum unit. Repeat this for all toner cartridges.

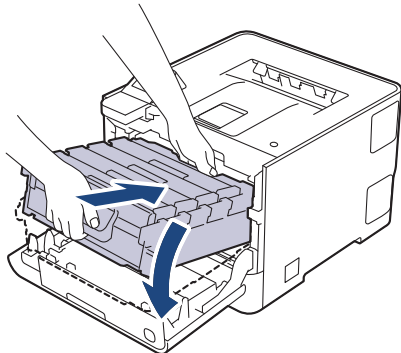


- BK: Black
- C: Cyan
- M: Magenta
- Y: Yellow

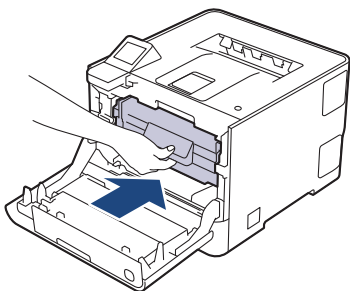


Make sure you put the toner cartridge in correctly or it may separate from the drum unit.

10. Gently slide the drum unit into the machine until it stops.



11. Using the green labeled handle, push the drum unit back into the machine until it locks in place.



12. Close the machine's front cover.

## NOTE

- Drum wear and tear occurs due to use and rotation of the drum and interaction with paper, toner, and other materials in the paper path. In designing this product, Brother decided to use the number of rotations of the drum as a reasonable determinant of the drum life. When a drum reaches the factory-established rotation limit corresponding to the rated page yield, the product's LCD will advise you to replace the drum. The product will continue to function; however, print quality may not be optimal.

- 
- If an unpacked drum unit is placed in direct sunlight (or artificial light for long periods of time), the unit may be damaged.
  - There are many factors that determine the actual drum life, such as the temperature, humidity, type of paper, type of toner used and so on. Under ideal conditions, the average drum life is estimated at:
    - Approximately 30,000 pages based on one page per job (A4/letter single-sided pages)
    - Approximately 50,000 pages based on three pages per job (A4/letter single-sided pages)

The number of pages may be affected due to a variety of factors including but not limited to media type and media size.

Because we have no control over the many factors that determine the actual drum life, we cannot guarantee a minimum number of pages that will be printed by your drum.

- The machine should be used only in a clean, dust-free environment with adequate ventilation.

We recommend using genuine Brother supplies to ensure stable print quality and performance. Although not all non-genuine supplies may cause quality issues, it is possible that some may adversely affect print quality or cause machine malfunction. Brother may charge for repairing your machine if it is proven that non-genuine supplies caused the damage, even if the machine is still covered by the warranty.



## Related Information

- [Replace Supplies](#)
-

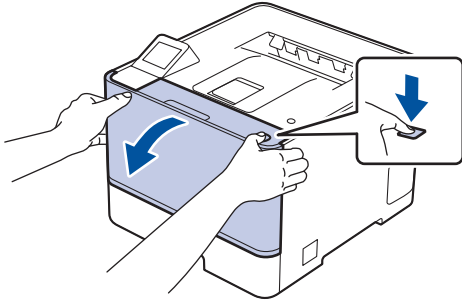
## Replace the Belt Unit

Before starting the replacement procedure, see *Related Information: Replace Supplies*.

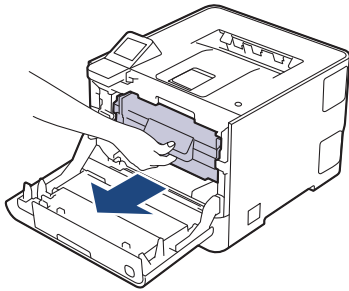
- >> [Replace the Belt Unit](#)
- >> [Reset the Belt Unit Counter](#)

### Replace the Belt Unit

1. Make sure the machine is turned on.
2. Press the front cover release button and open the front cover.



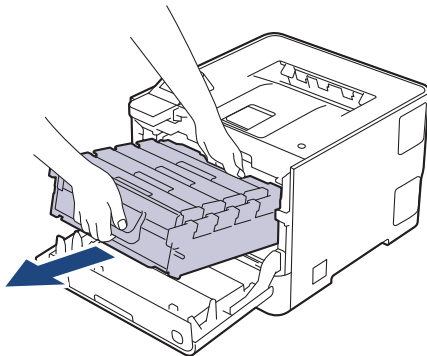
3. Hold the drum unit's green labeled handle. Pull the drum unit out of the machine until it stops.



#### IMPORTANT

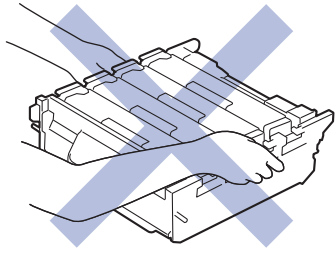
We recommend placing the toner cartridge and drum unit assembly on a clean, flat surface with disposable paper underneath it in case you accidentally spill or scatter toner.

4. Holding the green labeled handles of the drum unit, lift the front of the drum unit and remove it from the machine.

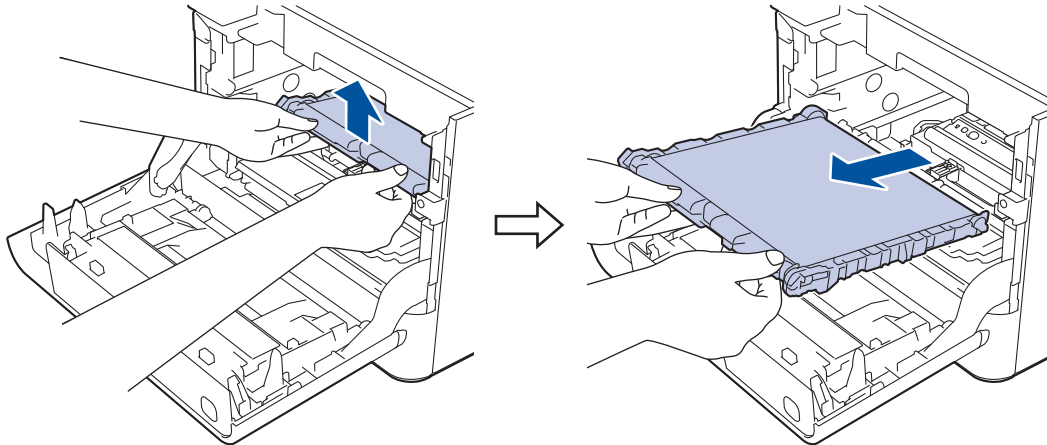


#### IMPORTANT

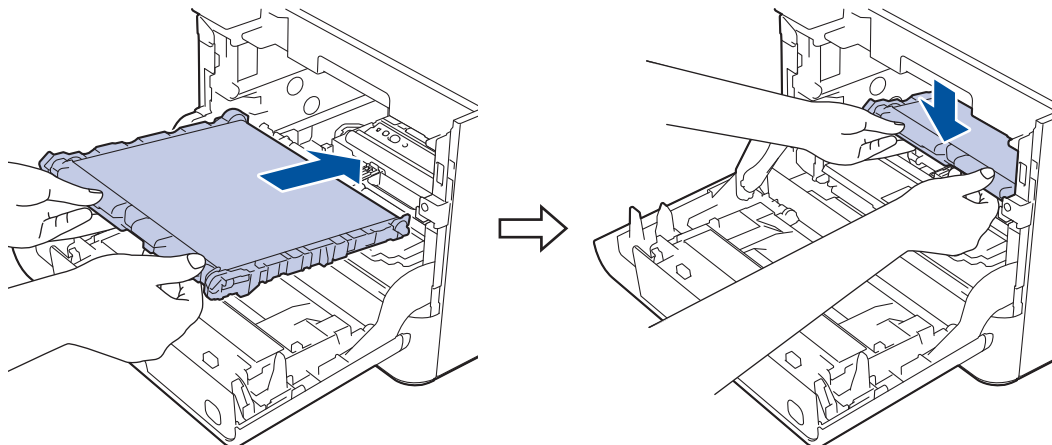
Hold the handles of the drum unit when you carry it. DO NOT hold the sides of the drum unit.



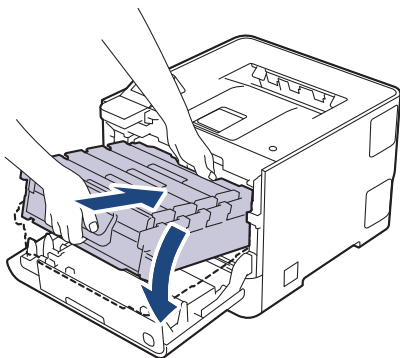
5. Hold the handle of the belt unit with both hands and lift the belt unit up, then pull it out.



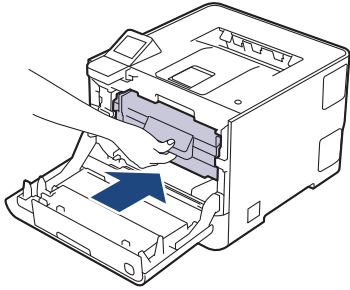
6. Unpack the new belt unit and install it in the machine. Make sure the belt unit is level and fits firmly into place.



7. Gently slide the drum unit into the machine until it stops.




- 
- Using the green labeled handle, push the drum unit back into the machine until it locks in place.



- Close the machine's front cover.

## Reset the Belt Unit Counter

- Make sure the machine is turned on.
- Press and hold  (**Toner**) for about five seconds.
- Press [Belt].
- Press [Yes].

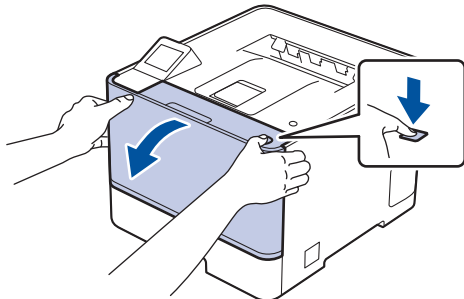
## Related Information

- [Replace Supplies](#)

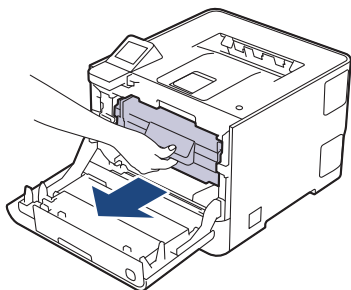
## Replace the Waste Toner Box

Before starting the replacement procedure, see *Related Information: Replace Supplies*.

1. Make sure the machine is turned on.
2. Press the front cover release button and open the front cover.



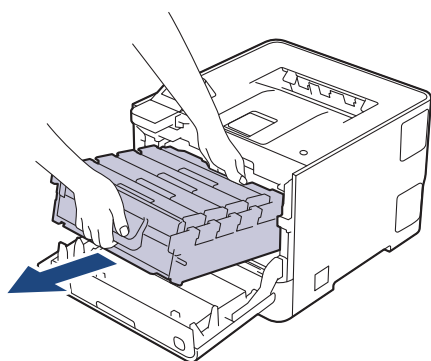
3. Hold the drum unit's green labeled handle. Pull the drum unit out of the machine until it stops.



### IMPORTANT

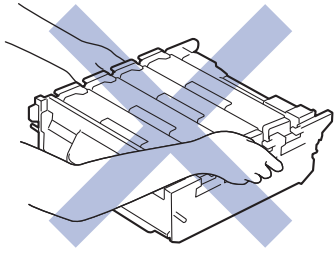
We recommend placing the toner cartridge and drum unit assembly on a clean, flat surface with disposable paper underneath it in case you accidentally spill or scatter toner.

4. Holding the green labeled handles of the drum unit, lift the front of the drum unit and remove it from the machine.

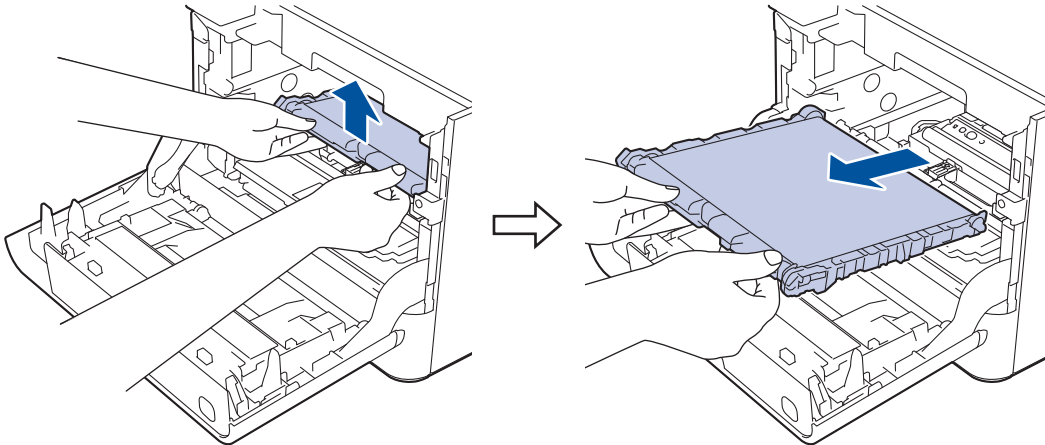


### IMPORTANT

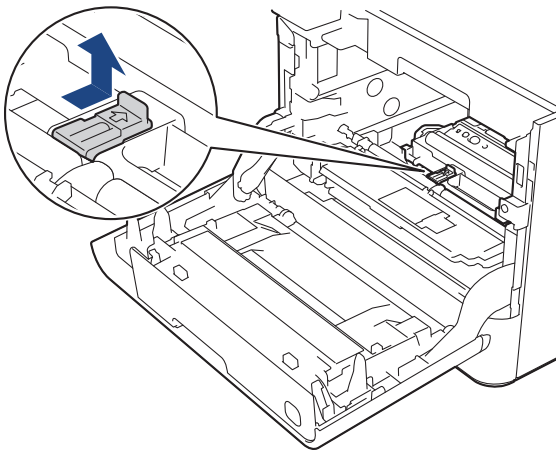
Hold the handles of the drum unit when you carry it. DO NOT hold the sides of the drum unit.



5. Hold the handle of the belt unit with both hands and lift the belt unit up, then pull it out.

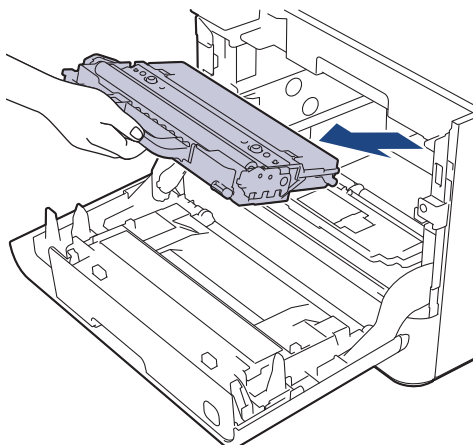


6. Remove the orange packing material.



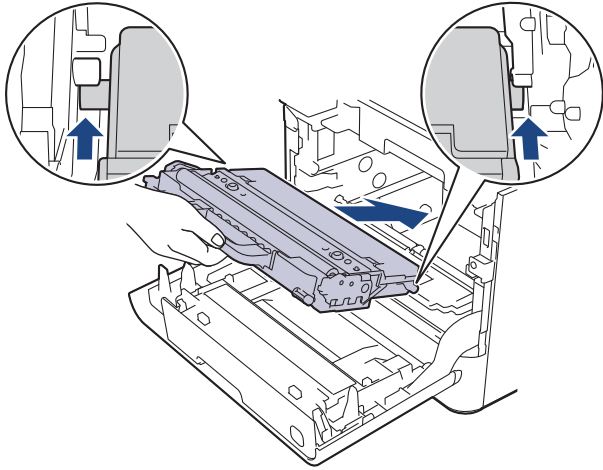
This step is only necessary when you are replacing the waste toner box for the first time.

7. Hold the green handle of the waste toner box and remove the waste toner box from the machine.



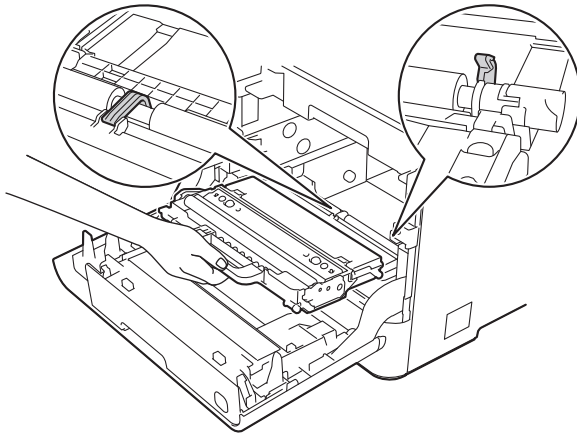
**DO NOT** reuse the waste toner box.

- 
8. Unpack the new waste toner box and install the new waste toner box in the machine using the green handle. Make sure the waste toner box is level and fits firmly into place.



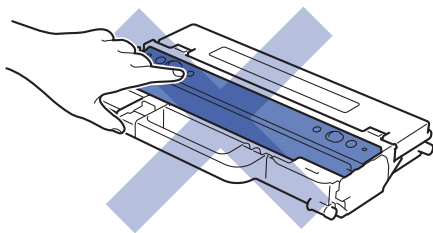
### IMPORTANT

To avoid breaking the clips, insert the waste toner box so that it does not hit the clips.



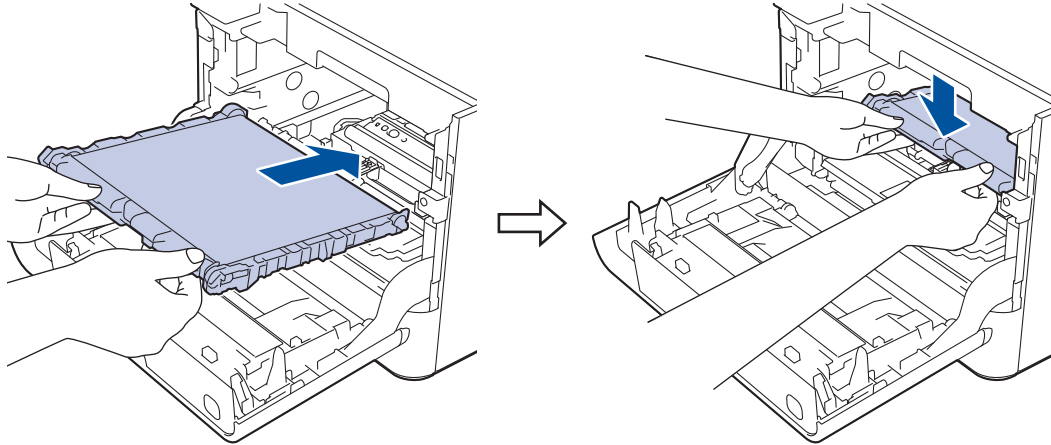
### NOTE

To avoid print quality problems, DO NOT touch the shaded parts shown in the illustrations.

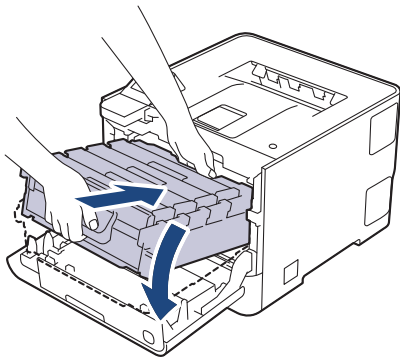


---

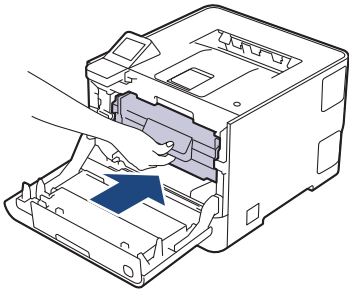
9. Slide the belt unit back into the machine. Make sure the belt unit is level and fits firmly into place.



10. Gently slide the drum unit into the machine until it stops.



11. Using the green labeled handle, push the drum unit back into the machine until it locks in place.



12. Close the machine's front cover.

---

 **Related Information**


- [Replace Supplies](#)

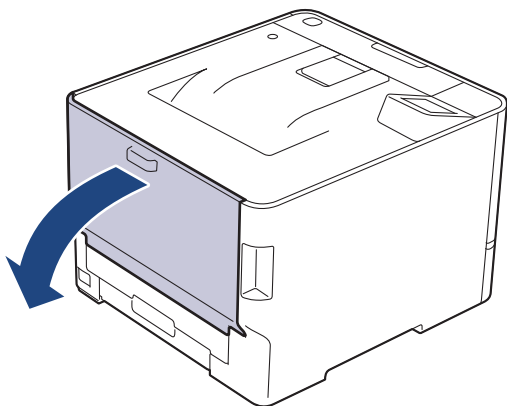
## Replace the Fuser Unit

Before starting the replacement procedure, see *Related Information: Replace Supplies*.

- >> [Replace the Fuser Unit](#)
- >> [Reset the Fuser Unit Counter](#)

### Replace the Fuser Unit

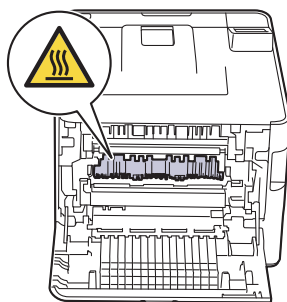
1. Press and hold  to turn the machine off.
2. Unplug the power cord from the electrical socket.
3. Open the back cover.



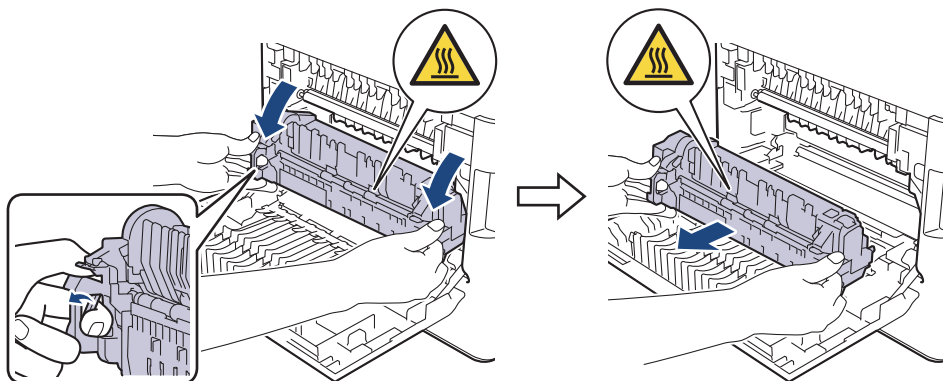
### WARNING

#### HOT SURFACE

The machine's internal parts will be extremely hot. Wait for the machine to cool down before touching them.

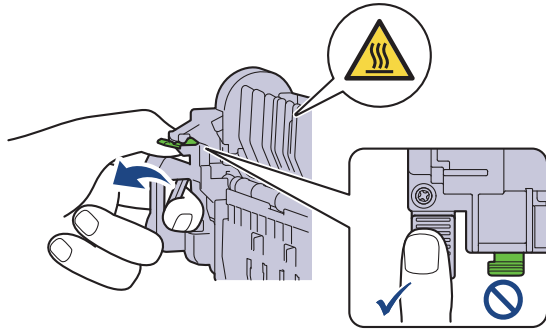


4. Holding the handles on both sides, squeeze the grey levers on the fuser unit and pull downward. Apply downward pressure on the fuser unit and pull it out of the machine.

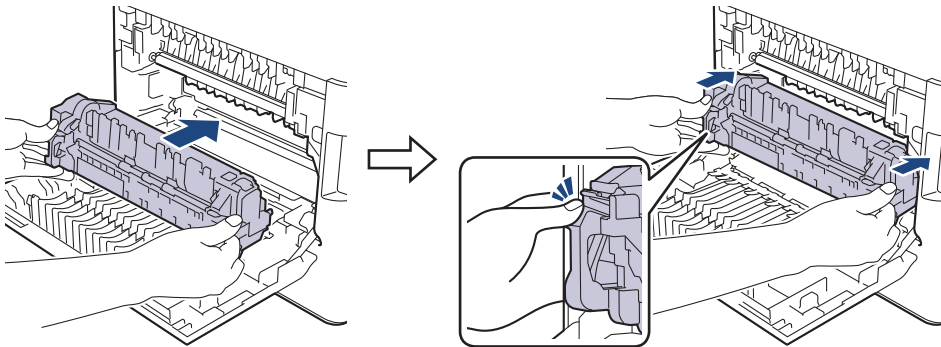


## NOTE

DO NOT pull the green tabs down.




5. Unpack the new fuser unit.
6. Push the new fuser unit firmly into the machine. Be sure to insert the fuser unit completely into the machine.




## IMPORTANT

Do not use a fuser unit if it has been dropped.

7. Close the back cover until it locks in the closed position.
8. Plug in the power cord and press  to turn the machine on.

## Reset the Fuser Unit Counter

1. Make sure the machine is turned on.
2. Press and hold  (Toner) for about five seconds.
3. Press [Fuser].
4. Press [Yes].

## ✓ Related Information


- [Replace Supplies](#)

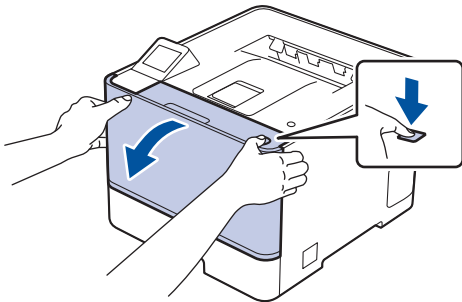
## Replace the Paper Feeding Kit for the Multi-purpose (MP) Tray

Before starting the replacement procedure, see *Related Information: Replace Supplies*.

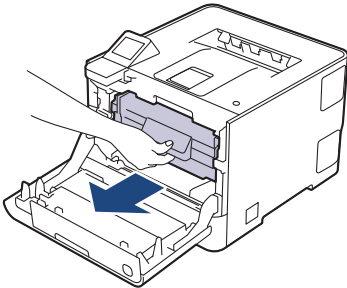
- >> [Replace the Paper Feeding Kit for the Multi-purpose \(MP\) Tray](#)
- >> [Reset the Paper Feeding Kit for the Multi-purpose \(MP\) Tray Counter](#)

### Replace the Paper Feeding Kit for the Multi-purpose (MP) Tray

1. Press and hold  to turn the machine off.
2. Unplug the power cord from the electrical socket.
3. Press the front cover release button and open the front cover.



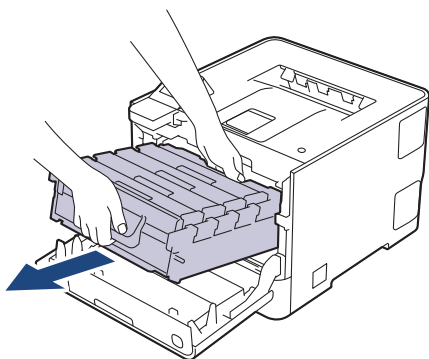
4. Hold the drum unit's green labeled handle. Pull the drum unit out of the machine until it stops.



#### IMPORTANT

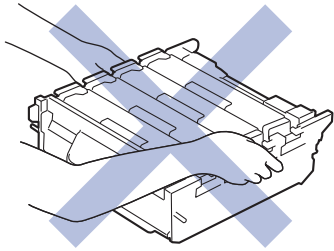
We recommend placing the toner cartridge and drum unit assembly on a clean, flat surface with disposable paper underneath it in case you accidentally spill or scatter toner.

5. Holding the green labeled handles of the drum unit, lift the front of the drum unit and remove it from the machine.

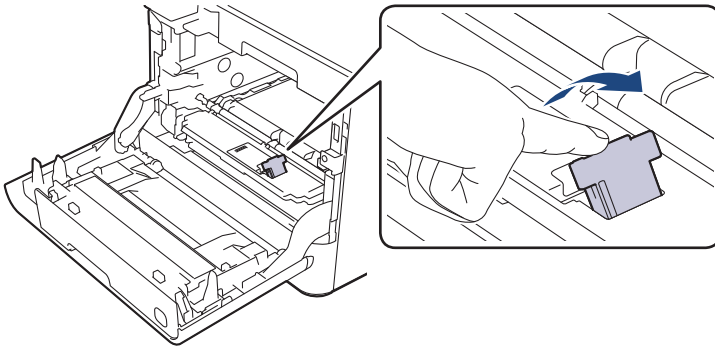


## IMPORTANT

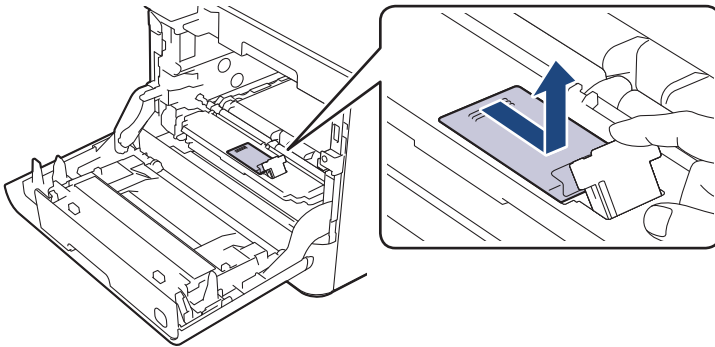
Hold the handles of the drum unit when you carry it. DO NOT hold the sides of the drum unit.



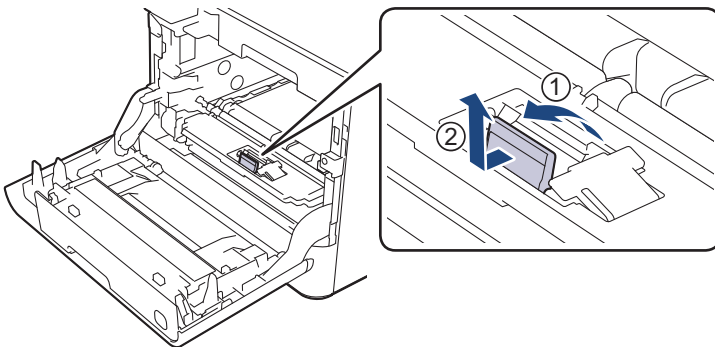
6. Raise the MP roller holder stopper.



7. Slide the MP roller holder to the right, and then remove it.

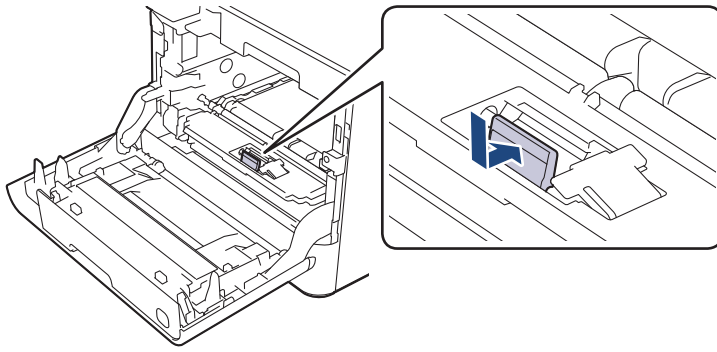


8. Raise the MP separation pad, and then pull it straight up and out of the machine.

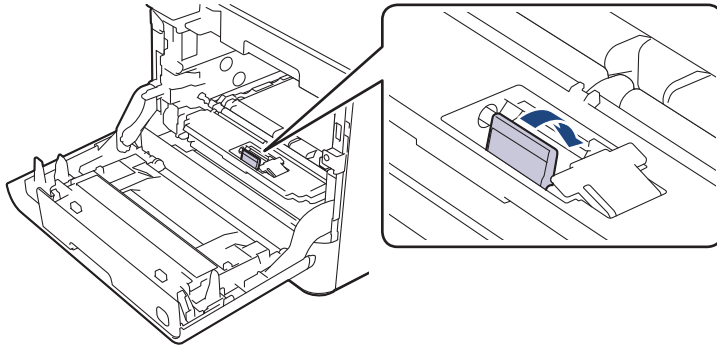


9. Unpack the new paper feeding kit for the MP tray.

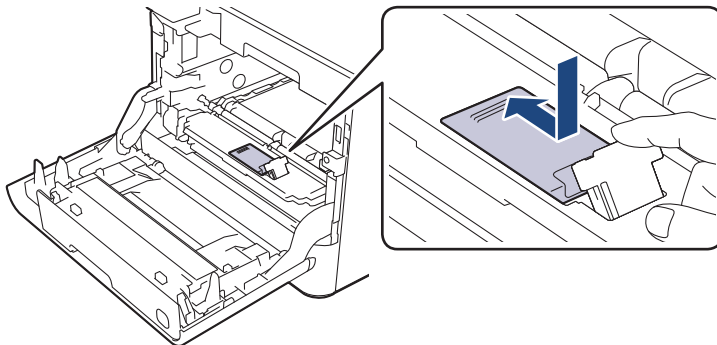
10. Insert the new MP separation pad with the grey pad facing you.



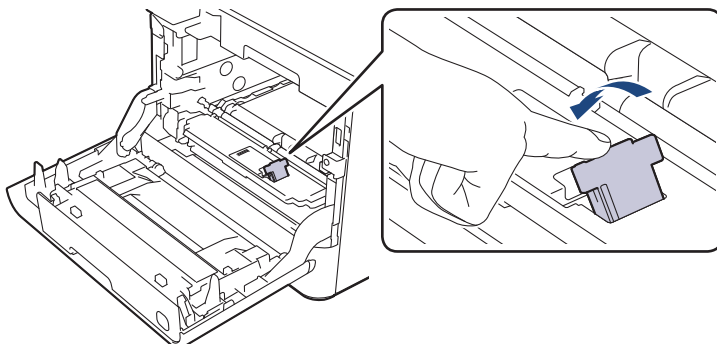
11. Press the MP separation pad forward until you hear a click.



12. Insert the MP roller holder, and then slide it to the left.

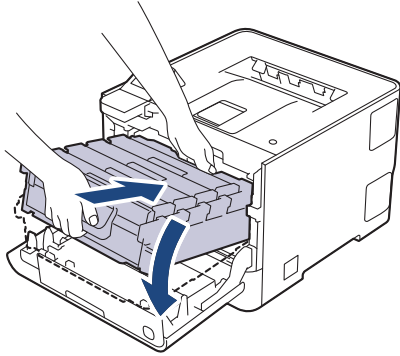


13. Press down to close the MP roller holder stopper.

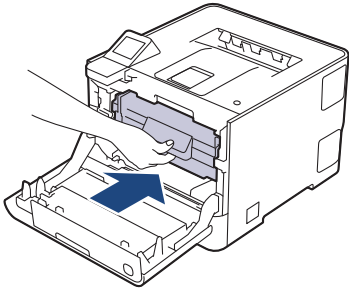


---


14. Gently slide the drum unit into the machine until it stops.




15. Using the green labeled handle, push the drum unit back into the machine until it locks in place.



16. Close the machine's front cover.

17. Plug in the power cord and press  to turn the machine on.

## Reset the Paper Feeding Kit for the Multi-purpose (MP) Tray Counter

1. Make sure the machine is turned on.
2. Press and hold  (Toner) for about five seconds.
3. Press [PF Kit MP].
4. Press [Yes].

### Related Information

- [Replace Supplies](#)
-

## Clean the Machine

Clean the outside and inside of the machine regularly with a dry, lint-free cloth.

When you replace the toner cartridge or the drum unit, make sure you clean the inside of the machine. If printed pages are stained with toner, clean the inside of the machine with a dry, lint-free cloth.

### **WARNING**

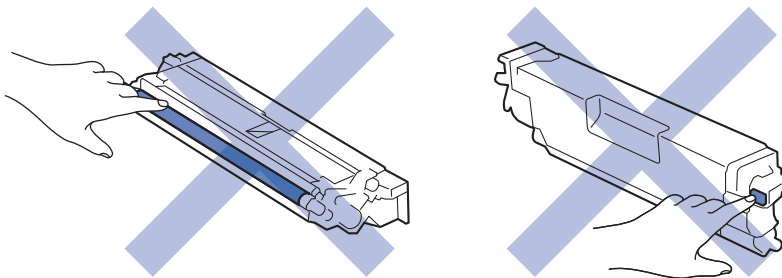
DO NOT use flammable substances, any type of spray, or an organic solvent/liquid containing alcohol or ammonia to clean the inside or outside of the product. Doing so could cause a fire. Instead, use only a dry, lint-free cloth.



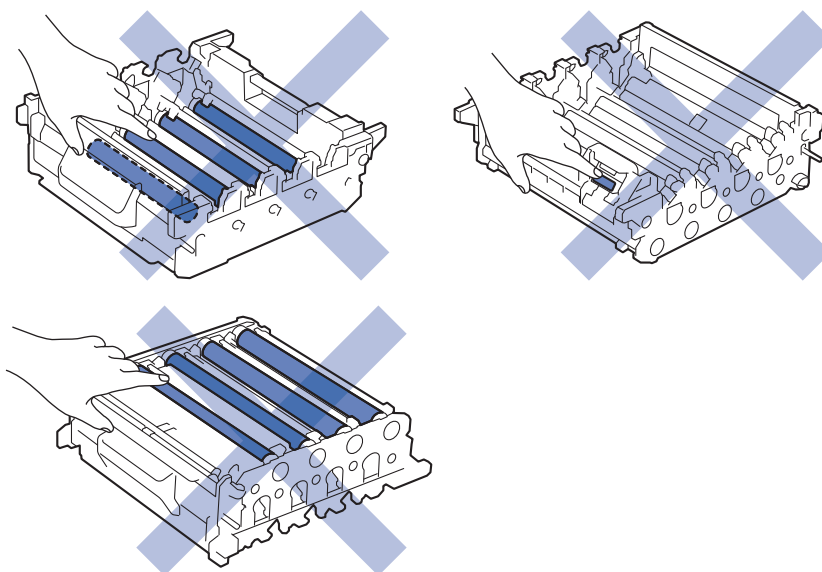
### **IMPORTANT**

- DO NOT use isopropyl alcohol to remove dirt from the control panel. It may crack the panel.
- To avoid print quality problems, DO NOT touch the shaded parts shown in the illustrations.

#### **Toner Cartridge**



#### **Drum Unit**



DO NOT touch the IC chip surfaces on the toner cartridge and the drum unit. Contamination and damage may interfere with the detection of each unit.



## Related Information


- Routine Maintenance
    - Clean the Touchscreen LCD
    - Clean the Corona Wires
    - Clean the Drum Unit
    - Clean the Paper Pick-up Rollers
-

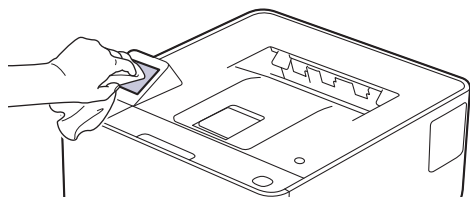
## Clean the Touchscreen LCD


Before starting the cleaning procedure, see *Related Information: Clean the Machine*.

### IMPORTANT

DO NOT use any type of liquid cleaners (including ethanol).

1. Press and hold  to turn the machine off.
2. Clean the touchscreen with a dry, soft lint-free cloth.



3. Press  to turn the machine on.

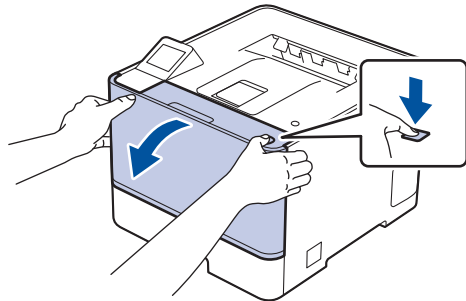
### Related Information

- [Clean the Machine](#)

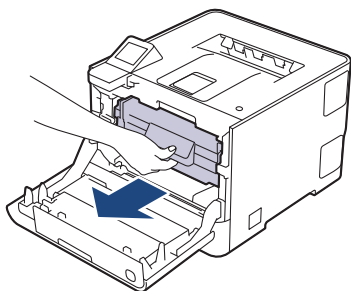
## Clean the Corona Wires

Before starting the cleaning procedure, see *Related Information: Clean the Machine*.

1. Press the front cover release button and open the front cover.



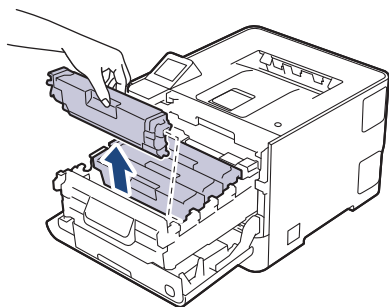
2. Hold the drum unit's green labeled handle. Pull the drum unit out of the machine until it stops.



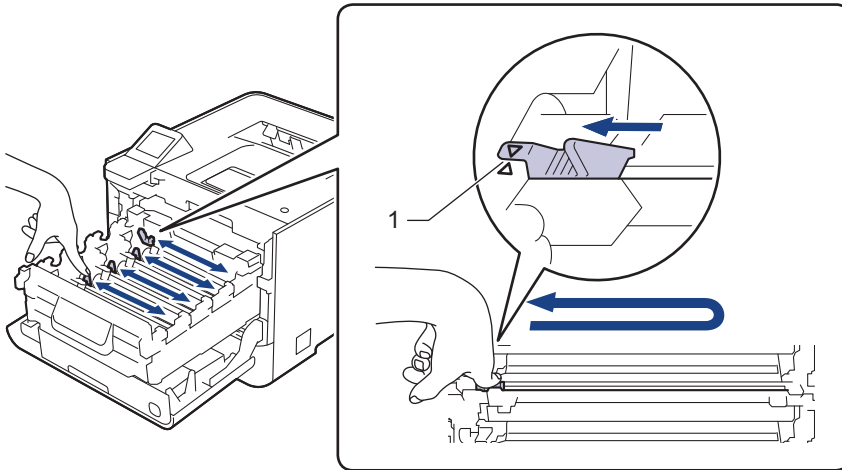
### IMPORTANT

We recommend placing the toner cartridge and drum unit assembly on a clean, flat surface with disposable paper underneath it in case you accidentally spill or scatter toner.

3. Hold the handle of the toner cartridge and pull the toner cartridge up and out of the drum unit. Repeat this for all toner cartridges.

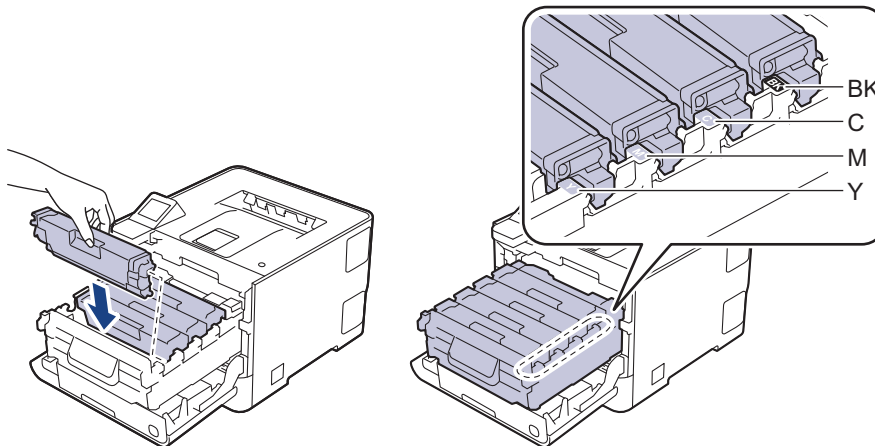


4. Clean the corona wire inside the drum unit by gently sliding the green tab from left to right and right to left several times. Repeat this for all the corona wires.



To avoid poor print quality, be sure to lock the green tab into the home position (1), flush left with the left side of the drum.

5. Insert the toner cartridge into the drum unit. Make sure that you match the toner cartridge colour to the same colour label on the drum unit. Repeat this for all toner cartridges.

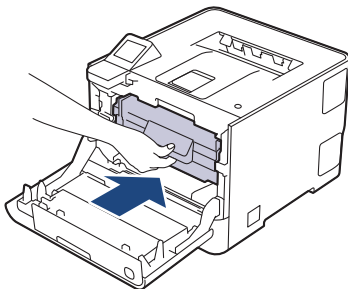


- BK: Black
- C: Cyan
- M: Magenta
- Y: Yellow



Make sure you put the toner cartridge in correctly or it may separate from the drum unit.

6. Using the green labeled handle, push the drum unit back into the machine until it locks in place.



7. Close the machine's front cover.






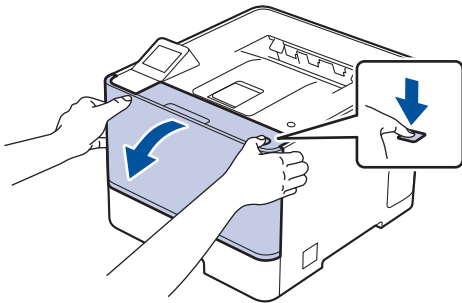
## Related Information

- [Clean the Machine](#)
-

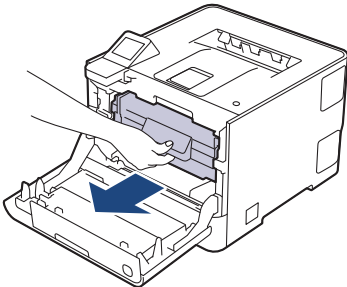
## Clean the Drum Unit

- If your printout has black or white dots or other repeating marks at 75 mm intervals, the drum may have foreign material, such as glue from a label, stuck on the drum surface.
- Before starting the cleaning procedure, see *Related Information: Clean the Machine*.

1. Make sure the machine is in Ready Mode.
2. Press  [Settings] > [All Settings] > [Print Reports] > [Drum Dot Print].
3. Press [Yes].  
The machine prints the Drum Dot Check Sheet.
4. Press .
5. Press and hold  to turn the machine off.
6. Press the front cover release button and open the front cover.



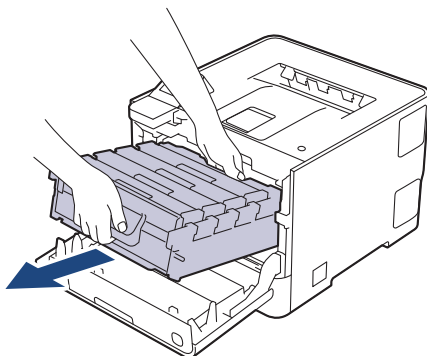
7. Hold the drum unit's green labeled handle. Pull the drum unit out of the machine until it stops.



### IMPORTANT

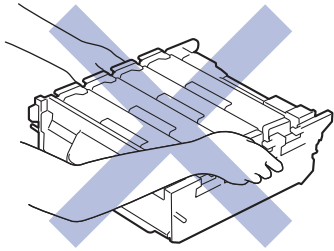
We recommend placing the toner cartridge and drum unit assembly on a clean, flat surface with disposable paper underneath it in case you accidentally spill or scatter toner.

8. Holding the green labeled handles of the drum unit, lift the front of the drum unit and remove it from the machine.

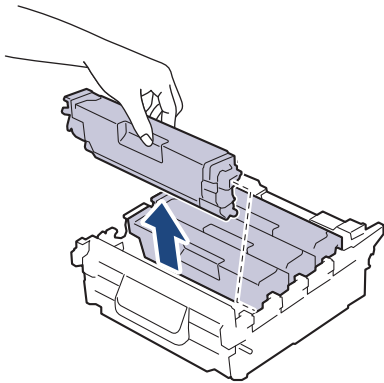


## IMPORTANT

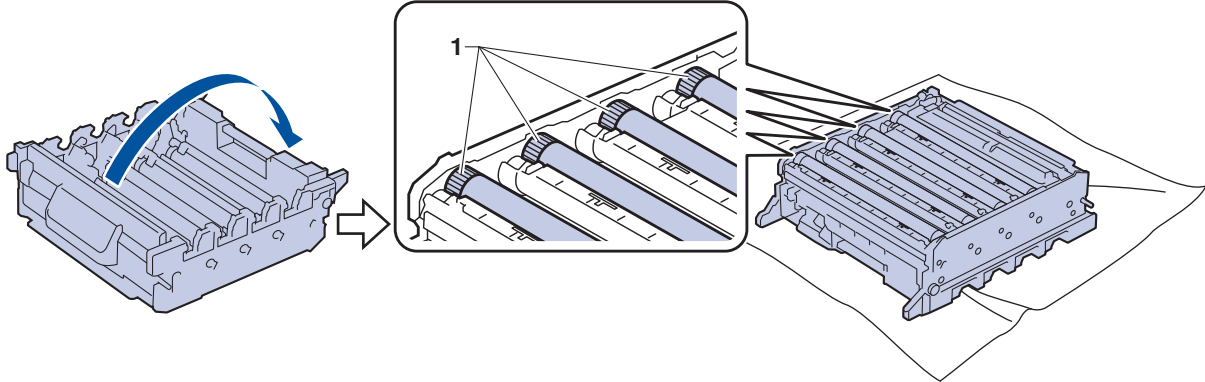
Hold the handles of the drum unit when you carry it. DO NOT hold the sides of the drum unit.



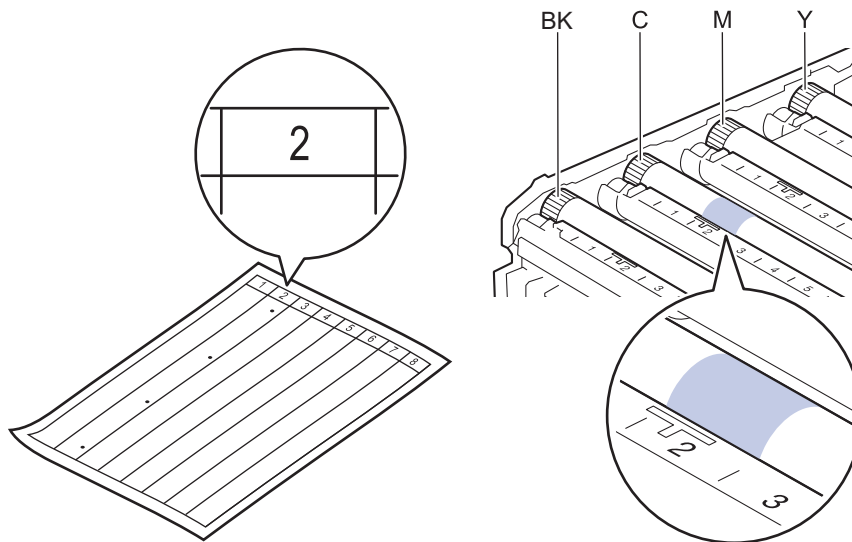
9. Hold the handle of the toner cartridge and pull the toner cartridge up and out of the drum unit. Repeat this for all toner cartridges.



10. Turn the drum unit over by holding the green labeled handles. Make sure that the drum unit gears (1) are on the side as shown in the illustration.

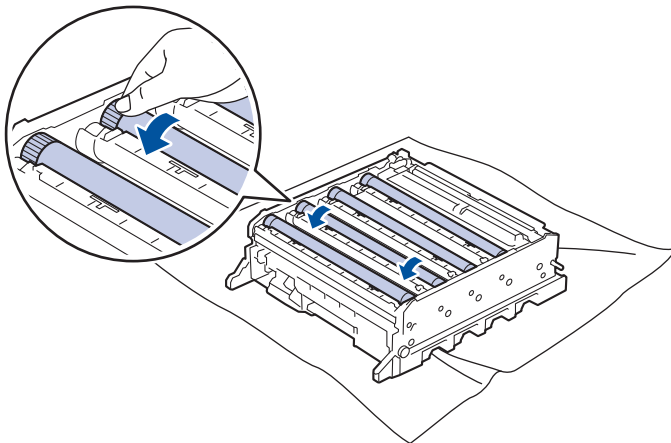


11. Use the column numbers next to the drum roller to find the mark. For example, a cyan dot in column 2 on the check sheet would mean that there is a mark in the “2” region of the cyan drum.



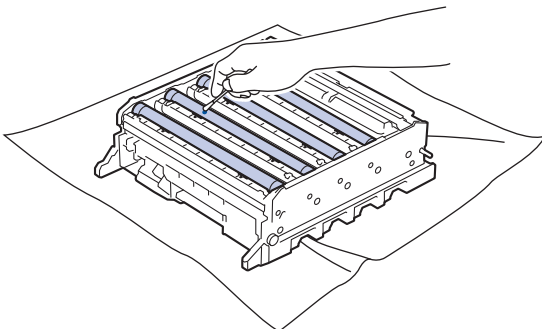
- BK: Black
- C: Cyan
- M: Magenta
- Y: Yellow

12. Hold the drum unit frame with both hands, place your thumb on the drum unit gear, and roll the drum towards you by hand while looking at the surface of the suspected area.



To avoid print quality problems, DO NOT touch any surface of the drum rollers except the drum unit gear.

13. Wipe the surface of the drum gently with a dry cotton swab until the mark on the surface comes off.

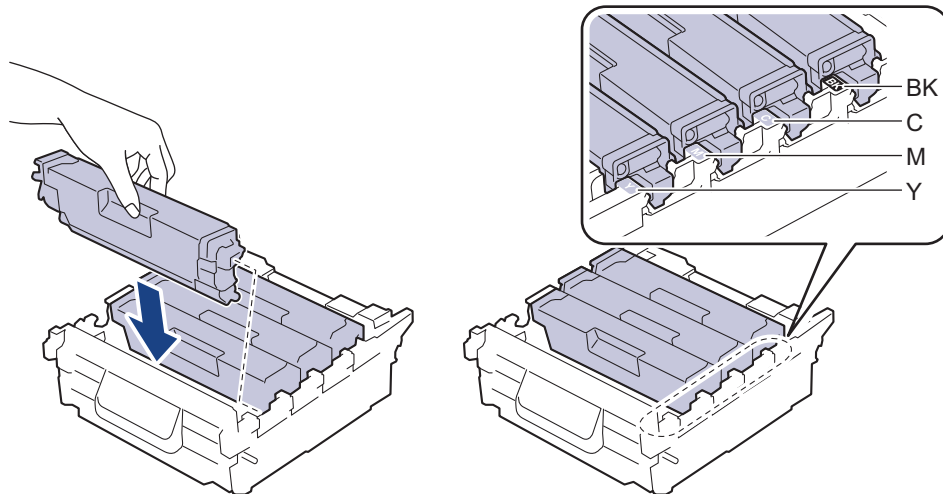


## NOTE

DO NOT clean the surface of the photosensitive drum with a sharp object or any liquids.

14. Turn the drum unit over by holding the green labeled handles.

15. Reinsert the toner cartridge into the drum unit. Make sure that you match the toner cartridge colour to the same colour label on the drum unit. Repeat this for all toner cartridges.

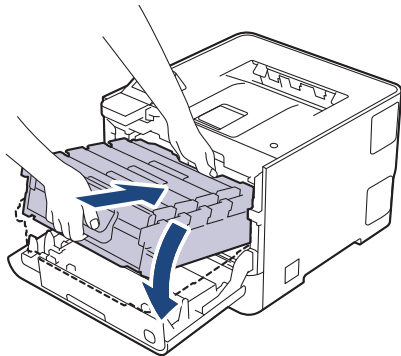


- BK: Black
- C: Cyan
- M: Magenta
- Y: Yellow

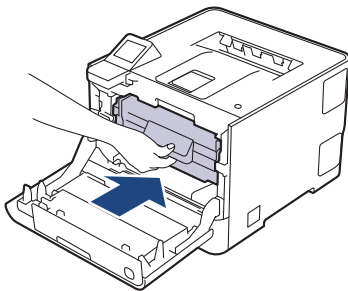


Make sure you put the toner cartridge in correctly or it may separate from the drum unit.


16. Gently slide the drum unit into the machine until it stops.



17. Using the green labeled handle, push the drum unit back into the machine until it locks in place.



18. Close the machine's front cover.

19. Press  to turn the machine on.



## Related Information


- [Clean the Machine](#)

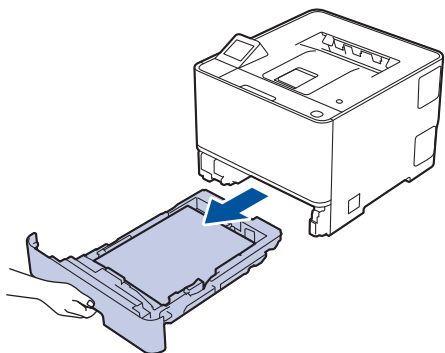
## Clean the Paper Pick-up Rollers

Cleaning the paper pick-up rollers periodically may prevent paper jams by ensuring that paper feeds correctly.

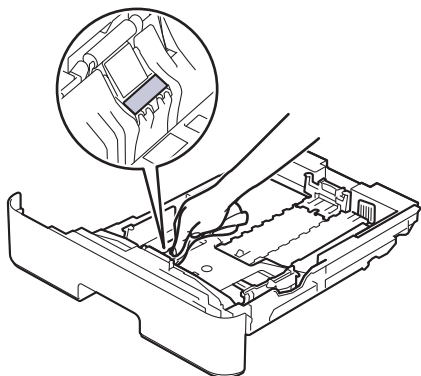
Before starting the cleaning procedure, see *Related Information: Clean the Machine*.

If you have paper feed problems, clean the pick-up rollers as follows:

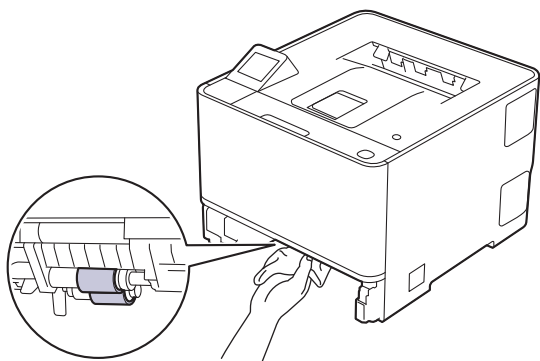
1. Press and hold  to turn the machine off.
2. Pull the paper tray completely out of the machine.




3. If paper is loaded or something is stuck inside in the paper tray, remove it.
4. Tightly wring out a lint-free cloth soaked in lukewarm water, and then wipe the separator pad on the paper tray to remove dust.



5. Wipe the two pick-up rollers inside the machine to remove dust.



6. Reload the paper and put the paper tray firmly back in the machine.
7. Press  to turn the machine on.



---

## Related Information

---


- [Clean the Machine](#)
-

## Correct Colour Printing

If the colour print quality is poor, calibrate the output density of each colour, and then perform the colour alignment.



To perform the calibrations of each colour's output density and colour alignment in sequence, set the Auto Correction function to On.

1. Press  [Toner] > [Colour Correction] > [Correction Start].
2. Press [Yes].



The colour correction starts automatically and will take a few minutes.

3. Press .





### Related Information

- [Routine Maintenance](#)
  - [Set the Auto Correction Function](#)
  - [Reset the Machine's Colour Correction Settings](#)

## Set the Auto Correction Function

If you want your machine to automatically perform colour alignment after calibrating colours, turn on the Auto Correction function.

1. Press  [Settings] > [All Settings] > [Printer] > [Colour Correction] > [Auto Correction] > [On].
2. Press .





### Related Information

- [Correct Colour Printing](#)
-

## Reset the Machine's Colour Correction Settings

If the output colour differs from what you see on your screen, try resetting your machine's colour correction settings.



1. Press  [Toner] > [Colour Correction] > [Reset].
2. Press [Yes].
3. Press .




### Related Information

- [Correct Colour Printing](#)

## Check the Remaining Part Life

1. Press  [Settings] > [All Settings] > [Machine Information] > [Parts Life].
2. Press ▲ or ▼ to display the machine parts, and then press the machine part you want to check.  
The LCD displays the approximate remaining part life.
3. Press .



To display the approximate remaining life of toner cartridges, press  [Toner] > [Toner Life].



### Related Information

- [Routine Maintenance](#)

## Monitor Machine Status Using Brother iPrint&Scan (Windows/Mac)

Brother iPrint&Scan allows you to monitor your Brother machine's status.

1. Start Brother iPrint&Scan.

- Windows

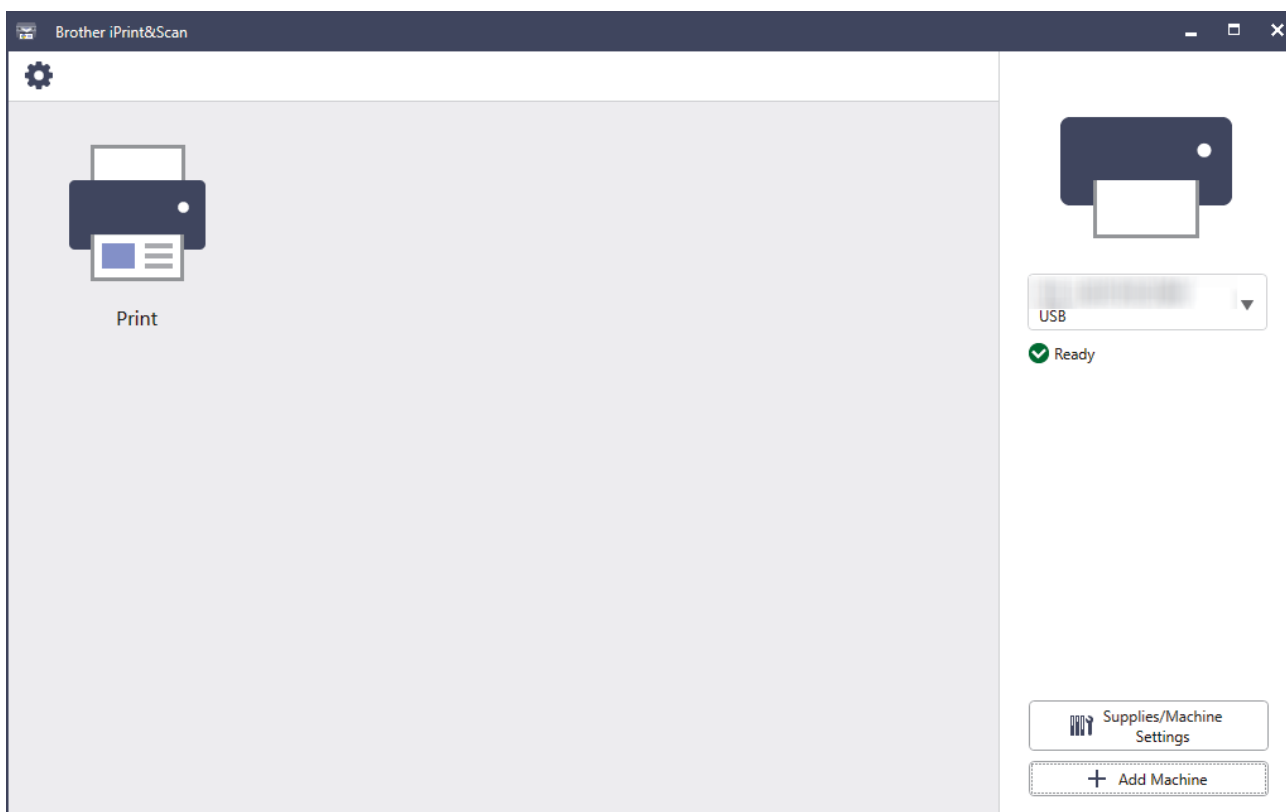
Double-click the  (Brother iPrint&Scan) icon.

- Mac




In the **Finder** menu bar, click **Go > Applications**, and then double-click the iPrint&Scan icon.


The Brother iPrint&Scan screen appears.

2. If your Brother machine is not selected, click the **Add Machine / Select your Machine** button, and then select your model's name from the list. Click **OK**.





### Status icons

Icon	Description
	A green icon indicates the normal stand-by condition.
	A yellow icon indicates a warning.
	A red icon indicates an error has occurred.

Icon	Description
	A grey icon indicates the machine is offline.

#### Error icons

Icon	Description
	The toner level is low.
	The toner cartridge needs to be replaced.



- The actual screen may differ depending on the version of the application.
- The remaining toner amount is approximate and may differ from the actual amount of remaining toner.
- You can also check the remaining toner amount using Web Based Management.




#### Related Information

- [Routine Maintenance](#)

## Check the Machine Information

Follow these instructions to check your machine's serial number and firmware version.

1. Press  [Settings] > [All Settings] > [Machine Information].
2. Press one of the following options:

Option	Description
Serial No.	Check your machine's serial number.
Firmware Version	Check your machine's firmware version.
Firmware Update	Update your machine to the latest firmware.
Firmware Update Setup	Set the days and times for automatic firmware updates.
Page Counter	Check the total number of pages the machine has printed.
Parts Life	Check the percentage of the supplies' life that remains available.

3. Press .

### Related Information


- [Routine Maintenance](#)

## Update Your Machine's Firmware


- An Internet connection is required to update the firmware.
- Do not unplug the power cord during the firmware update.

To keep your machine up to date, check [support.brother.com/downloads](http://support.brother.com/downloads) periodically for the latest firmware. Without the most current firmware, some of your machine's functions may become unavailable.

You can also manually update the firmware directly from your machine or set it to update periodically, by following these steps:

1. Press  [Settings] > [All Settings] > [Machine Information].
2. Do one of the following:

Option	Description
Update the firmware manually.	Press <b>Firmware Update</b> .
Set your machine to automatically update the firmware. (available for certain models)	Press <b>Firmware Update Setup</b> > <b>Update Method</b> > <b>Auto Install</b> , then select the days and enter the time for the firmware update.

3. Press .

### Related Information

- [Routine Maintenance](#)

#### Related Topics:

- [Check Your Machine's Password](#)


## Reset Functions

- [Machine Reset](#)
- [Network Reset](#)
- [Factory Reset](#)

## Machine Reset

Use the Machine Reset function to reset the machine's settings to the factory settings.

The network settings and the security settings will not be reset by the Machine Reset function.

1. Press  [Settings] > [All Settings] > [Initial Setup] > [Reset] > [Machine Reset].
2. Do one of the following:

Option	Description
Press <b>Yes</b> for 2 seconds	Reboot the machine. The machine will begin the reset.
No	The machine will exit without rebooting.



If you exit without rebooting, your machine will not reset and your settings will remain unchanged.




### Related Information

- [Reset Functions](#)


## Network Reset

Use the Network Reset function to restore the machine's network settings back to its default factory settings (includes IP Address information, except the administrator password).

Unplug all the interface cables before you perform a Network Reset.

1. Press  [Settings] > [All Settings] > [Initial Setup] > [Reset] > [Network Reset].
2. Do one of the following:

Option	Description
Press <b>Yes</b> for 2 seconds	Reboot the machine. The machine will begin the reset.
No	The machine will exit without rebooting.

 If you exit without rebooting, your machine will not reset and your settings will remain unchanged.


### Related Information

- [Reset Functions](#)

## Factory Reset

Use the Factory Reset function to restore all settings back to the factory settings.

Unplug all the interface cables before you perform a Factory Reset.

1. Press  [Settings] > [All Settings] > [Initial Setup] > [Reset] > [Factory Reset].
2. Do one of the following:

Option	Description
Press <b>Yes</b> for 2 seconds	Reboot the machine. The machine will begin the reset.
No	The machine will exit without rebooting.



If you exit without rebooting, your machine will not reset and your settings will remain unchanged.



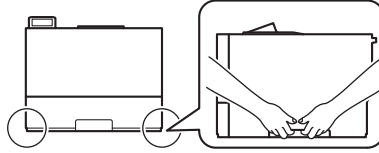
### Related Information

- [Reset Functions](#)

## Pack and Ship Your Machine

### WARNING


- To prevent possible injuries, at least two people should lift the product by holding it at the front and back.
- When you move the machine, carry the machine as shown in the illustration.



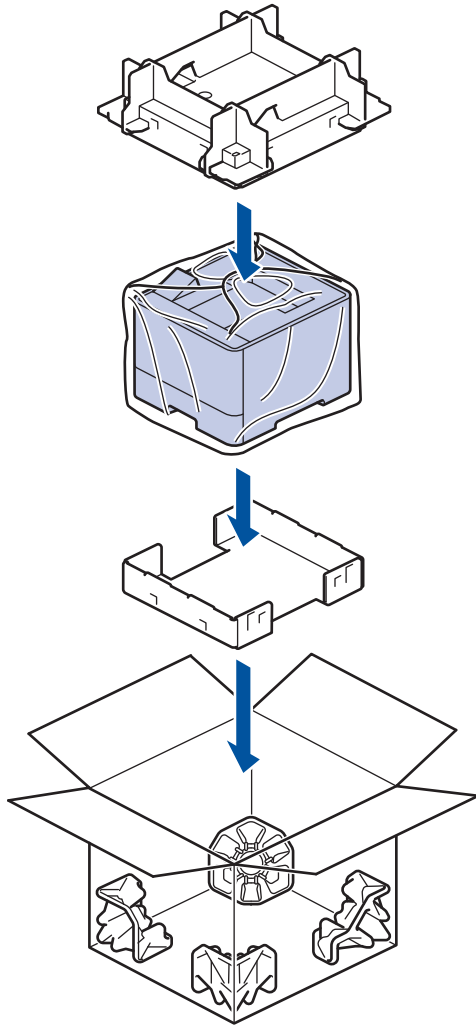
- If the machine has Optional Tray(s) installed, remove the Optional Tray(s) BEFORE moving the machine. Attempting to move the machine without removing the Optional Tray(s) may cause injury to you or damage to the machine.
- Pack the Optional Tray(s) separately in the original carton with original packing material.



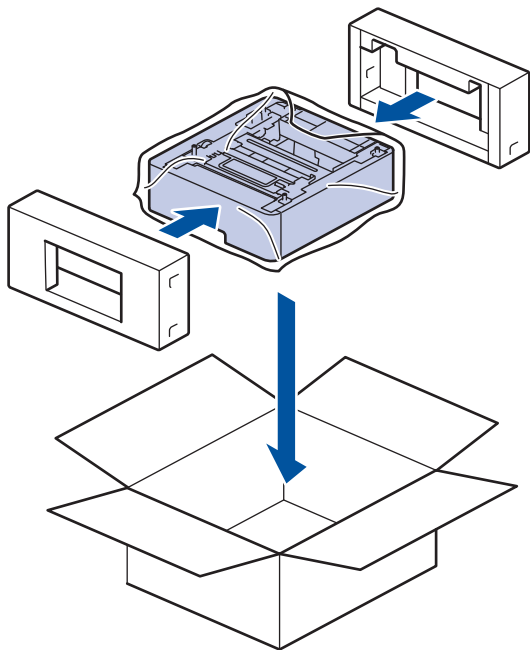
- If for any reason you must ship your machine, carefully repack the machine in the original packaging to avoid any damage during transit. The machine should be adequately insured with the carrier.
- The components included in the box may differ depending on your country.

1. Press and hold  to turn the machine off. Leave the machine off for at least 10 minutes to cool down.
2. Disconnect all the cables, and then unplug the power cord from the electrical socket.
3. Put the machine into the bag it originally came in.

- 
4. Pack the machine in the original carton with the original packing material as shown below. (The original packing material may differ depending on your country.)



5. Close the carton and tape it shut.  
6. If you have a Lower Tray, repack it as shown.





## Related Information

- [Routine Maintenance](#)
-

## Machine Settings

Customise settings and features to make your machine a more efficient work tool.

- [Check Your Machine's Password](#)
- [Change Machine Settings from the Control Panel](#)
- [Change Machine Settings Using Web Based Management](#)

## Check Your Machine's Password

If prompted to enter a password, check the following information:

>> [Find the Default Password](#)

>> [Change the Password](#)

>> [Reset the Password](#)

### Find the Default Password

The default password to manage this machine's settings is located on the back of the machine and marked "Pwd".

### Change the Password

We recommend immediately changing the default password to protect your machine from unauthorised access.

Use Web Based Management to change the password.

For more information, see *Related Information*.

### Reset the Password

If you forget your password, reset your machine to its factory default settings. The password will also be reset to the default password.

For more information, see *Related Information*.



### Related Information

- [Machine Settings](#)

#### Related Topics:

- [Change the Login Password Using Web Based Management](#)
- [Factory Reset](#)

## Change Machine Settings from the Control Panel

- [General Settings](#)
- [Settings and Features Tables](#)

## General Settings

- [Set Sleep Mode Countdown](#)
- [About Deep Sleep Mode](#)
- [Set Auto Power Off Mode](#)
- [Reduce Toner Consumption](#)
- [Reduce Printing Noise](#)
- [Lock the Machine Settings](#)
- [Change the Language on the LCD](#)



## Set Sleep Mode Countdown

The Sleep Mode (or Power Save Mode) setting can reduce power consumption. Select how long the machine must be idle before it goes into Sleep Mode. The Sleep Mode timer is reset when the machine receives a print job.

When the machine is in Sleep Mode, it acts as if it is turned off. The machine will wake up and start printing when it receives a print job. Use these instructions to set a time delay (countdown) before the machine enters Sleep Mode.



The Sleep Mode setting cannot be disabled due to environmental considerations.

1. Press  [Settings] > [All Settings] > [General Setup] > [Ecology] > [Sleep Time].
2. Enter the length of time (maximum 50 minutes) the machine will remain idle before entering Sleep Mode, and then press [OK].
3. Press .



### Related Information

- [General Settings](#)


## About Deep Sleep Mode

If the machine is in Sleep Mode and does not receive any jobs for a certain length of time, the machine will automatically enter Deep Sleep Mode. The length of time is based on your specific model and settings.

Deep Sleep Mode uses less power than Sleep Mode.



The Deep Sleep Mode setting cannot be disabled due to environmental considerations.

Applicable Models	Machine's Control Panel in Deep Sleep Mode	Conditions That Will Wake the Machine
HL-L8430CDW/HL-L8570CDW	The LCD backlight turns off and the Power LED blinks.	<ul style="list-style-type: none"><li>The machine receives a job.</li><li>Someone presses , , or the touchscreen LCD.</li></ul>






### Related Information

- [General Settings](#)

## Set Auto Power Off Mode

If the machine does not receive any jobs for a certain length of time, based on your model and settings, the machine will automatically enter Power Off mode. The machine will not go into Power Off mode if it is connected to a network, a USB cable, NFC, Wi-Fi Direct, or a telephone line (for models with facsimile function), or if there is any secure print data stored in its memory. The available features and interfaces vary depending on the model.

To start printing, press  on the control panel and then send a print job.

1. Press  [Settings] > [All Settings] > [General Setup] > [Ecology] > [Auto Power Off].
2. Press ▲ or ▼ to display the length of time the machine will remain idle before entering Power Off Mode, and then press the option you want.
3. Press .





### Related Information

- [General Settings](#)

## Reduce Toner Consumption

Using the Toner Save feature may reduce toner consumption. When Toner Save is set to on, the print on your documents appears lighter.

We DO NOT recommend using the Toner Save feature for printing photo or greyscale images.

1. Press  [Settings] > [All Settings] > [General Setup] > [Ecology] > [Toner Save].
2. Press [On] or [Off].
3. Press .





### Related Information

- [General Settings](#)

## Reduce Printing Noise

The Quiet Mode setting can reduce printing noise. When Quiet Mode is turned on, the print speed becomes slower. The factory setting is off.

1. Press  [Settings] > [All Settings] > [General Setup] > [Ecology] > [Quiet Mode].
2. Press [On] or [Off].
3. Press .



### Related Information

- [General Settings](#)



## Lock the Machine Settings

Use the Setting Lock feature to block unauthorised access to machine settings. When Setting Lock is set to On, you cannot access the machine settings without entering the password.

Before turning the machine's Setting Lock on, write down and save your password. If you forget the password, you must reset all passwords stored in the machine by contacting your administrator or Brother customer service.

- [Set the Setting Lock Password](#)
- [Change the Setting Lock Password](#)
- [Turn Setting Lock On](#)

## Set the Setting Lock Password



1. Press  [Settings] > [All Settings] > [General Setup] > [Setting Lock].
2. Enter a four-digit number for the password.
3. Press [OK].
4. When the LCD displays [Verify], re-enter the password.
5. Press [OK].
6. Press .



### Related Information

- [Lock the Machine Settings](#)

## Change the Setting Lock Password


1. Press  [Settings] > [All Settings] > [General Setup] > [Setting Lock] > [Set Password].
2. Enter the current four-digit password.
3. Press [OK].
4. Enter a new four-digit password.
5. Press [OK].
6. When the LCD displays [Verify], re-enter the new password.
7. Press [OK].
8. Press .




### Related Information


- [Lock the Machine Settings](#)

## Turn Setting Lock On

1. Press  [Settings] > [All Settings] > [General Setup] > [Setting Lock] > [Lock Off⇒On].
2. Enter the current four-digit password.
3. Press [OK].



To turn Setting Lock off, press  on the LCD, enter the current four-digit password, and then press [OK].

After configuring the settings, press  [Settings] > [All Settings] > [General Setup] > [Setting Lock] > [Lock On⇒Off], and then repeat steps 2 and 3.





### Related Information

- [Lock the Machine Settings](#)

## Change the Language on the LCD

Change the LCD language if needed.

This feature is not available in some countries.

1. Press  [Settings] > [All Settings] > [Initial Setup] > [Local Language].
2. Press your language.
3. Press .

### Related Information

- [General Settings](#)
-

## Settings and Features Tables

The Settings tables will help you understand the menu selections and options that are found in the machine's programs.

- [Settings Tables](#)
- [Feature Tables](#)

## Settings Tables

>> [Settings]  
 >> [General Setup]  
 >> [Printer]  
 >> [Network]  
 >> [Print Reports]  
 >> [Machine Information]  
 >> [Initial Setup]

### [Settings]

#### [Settings]

Level 2	Level 3	Level 4	Descriptions	
Toner	Toner Life	-	View the approximate remaining toner life.	
	Test Print	-	Print a test page.	
	Colour Correction	Correction Start		Initiate colour calibration to check and correct colours.
		Reset		Reset the calibration parameters to the default settings.
	Toner Cartridge Check	Black		View the installed toner cartridge information on the LCD, for example, if the toner cartridge is genuine.
Cyan				
Magenta				
Yellow				
Network	Wired LAN	-	Access the Wired LAN setting menus.	
	WLAN (Wi-Fi)	-	Access the WLAN setting menus.	
Tray Setting	-	-	Access the tray setting menus.	
Wi-Fi Direct	-	-	Access the Wi-Fi Direct setting menus.	
Eco Mode	-	-	Turn the following machine settings on: <ul style="list-style-type: none"> <li>• 2-sided Print: Long Edge<sup>1</sup></li> <li>• Sleep Time: 0 Min</li> <li>• Dim Timer: 10 Secs</li> <li>• Quiet Mode: On<sup>1</sup></li> <li>• Toner Save: On<sup>1</sup></li> </ul>	
All Settings	-	-	Configure the detailed settings.	

<sup>1</sup> Changing this setting is possible only after you change certain machine settings in Web Based Management.

### [General Setup]

#### [All Settings] > [General Setup]

Level 3	Level 4	Level 5	Level 6	Descriptions
Tray Setting	Paper Type	MP Tray	-	Select the paper type that matches the paper in the MP tray.
		Tray 1	-	Select the paper type that matches the paper in the standard paper tray.

Level 3	Level 4	Level 5	Level 6	Descriptions
Tray Setting	Paper Type	Tray 2 <sup>1</sup>	-	Select the paper type that matches the paper in the Optional Tray (Tray 2).
		Tray 3 <sup>1</sup>	-	Select the paper type that matches the paper in the Optional Tray (Tray 3).
	Paper Size	MP Tray	-	Select the paper size you loaded in the MP tray.
		Tray 1	-	Select the paper size you loaded in the standard paper tray.
		Tray 2 <sup>1</sup>	-	Select the paper size you loaded in the Optional Tray (Tray 2).
		Tray 3 <sup>1</sup>	-	Select the paper size you loaded in the Optional Tray (Tray 3).
	Select Tray	-	-	Select the paper tray you want to use.
	Priority	-	-	When the <b>Auto</b> option is selected in the <b>Select Tray</b> menu, select the order in which the machine uses paper trays that contain paper of the same size.
	Print Position	MP Tray	<b>X Offset</b>	Adjust the print start position (usually at the upper left corner of a page) for the paper you loaded in the MP tray horizontally from -500 (left) to +500 (right) dots when printing at 300 dpi.
			<b>Y Offset</b>	Adjust the print start position (usually at the upper left corner of a page) for the paper you loaded in the MP tray vertically from -500 (up) to +500 (down) dots when printing at 300 dpi.
		Tray 1	<b>X Offset</b>	Adjust the print start position (usually at the upper left corner of a page) for the paper you loaded in the standard paper tray horizontally from -500 (left) to +500 (right) dots when printing at 300 dpi.
			<b>Y Offset</b>	Adjust the print start position (usually at the upper left corner of a page) for the paper you loaded in the standard paper tray vertically from -500 (up) to +500 (down) dots when printing at 300 dpi.
		Tray 2 <sup>1</sup>	<b>X Offset</b>	Adjust the print start position (usually at the upper left corner of a page) for the paper you loaded in the Optional tray (Tray 2) horizontally from -500 (left) to +500 (right) dots when printing at 300 dpi.
			<b>Y Offset</b>	Adjust the print start position (usually at the upper left corner of a page) for the paper you loaded in the Optional tray (Tray 2) vertically from -500 (up) to +500 (down) dots when printing at 300 dpi.
		Tray 3 <sup>1</sup>	<b>X Offset</b>	Adjust the print start position (usually at the upper left corner of a page) for the paper you loaded in the Optional tray (Tray 3) horizontally from -500 (left) to +500 (right) dots when printing at 300 dpi.
<b>Y Offset</b>			Adjust the print start position (usually at the upper left corner of a page) for the paper you loaded in the Optional tray (Tray 3) vertically from	

<sup>1</sup> Available if the Optional Tray(s) is installed.

Level 3	Level 4	Level 5	Level 6	Descriptions	
Tray Setting	Print Position	Tray 3 <sup>1</sup>		-500 (up) to +500 (down) dots when printing at 300 dpi.	
	Skip Tray <sup>1</sup>	-	-	Select a specific tray to skip if you know it is loaded with the wrong size paper.	
	Separator Tray <sup>1</sup>	-	-	Select the tray that contains the paper used as the separator paper, which is inserted between each print job.	
	Paper Low Notice	Paper Low Notice	-	-	Select whether or not to display a message indicating the paper tray is nearly empty.
		Notice Level	-	-	Select the minimum paper level that will trigger the message.
	Check Paper	-	-	Select whether or not to display a message indicating you must check the paper type and paper size.	
LCD Settings	Backlight	-	-	Adjust the brightness of the LCD backlight.	
	Dim Timer	-	-	Set how long the LCD backlight stays on after the last finger press.	
Screen Settings	Display Information	IP Address	-	Select whether to display your machine's IP Address on the Home screen.	
Ecology	Eco Mode	-	-	Turn the following machine settings on: <ul style="list-style-type: none"> <li>• 2-sided Print: Long Edge<sup>2</sup></li> <li>• Sleep Time: 0 Min</li> <li>• Dim Timer: 10 Secs</li> <li>• Quiet Mode: On<sup>2</sup></li> <li>• Toner Save: On<sup>2</sup></li> </ul>	
	Toner Save	-	-	Increase the page yield of the toner cartridge.	
	Sleep Time	-	-	Set how much time should pass before the machine enters Power Saving mode.	
	Quiet Mode	-	-	Decrease printing noise.	
	Auto Power Off	-	-	Set the number of minutes or hours before the machine enters Power Off mode.	
Setting Lock	-	-	-	Restrict unauthorised users from changing the machine's settings.	
Interface	Select	-	-	Select the interface to use. If you select the <code>Auto</code> option, the machine changes the interface to USB or network depending on which interface is receiving data.	
	Auto IF Time	-	-	Set the time-out period for the auto interface selection.	
	Input Buffer	-	-	Increase or decrease the input buffer capacity.	
Delete Storage	Macro ID	-	-	Delete the registered Macro data.	
	Stream ID	-	-	Delete the registered Stream data.	
	Font ID	-	-	Delete the registered Font data.	
	Delete All	-	-	Restore your machine's Macro/Stream and Font data to the factory settings.	

<sup>2</sup> Changing this setting is possible only after you change certain machine settings in Web Based Management.

Level 3	Level 4	Level 5	Level 6	Descriptions
Delete Storage	Initialise USB Flash Drive (HL-L8570CDW) (Available only when the USB flash drive is selected in the Job Save Location menu.)	-	-	Initialise the USB flash drive for USB Storage Print. Initialising the USB flash drive takes more than 40 minutes.

[Printer]

[All Settings] > [Printer]

Level 3	Level 4	Level 5	Descriptions
Emulation	-	-	Choose the emulation mode.
Quality	-	-	Select the print quality.
Print Options	Font List	HP LaserJet	Print the font list and samples of HP LaserJet.
		BR-Script 3	Print the font list and samples of BR-Script.
	Test Print	-	Print the test page.
	Print the red colour patch (Available only for certain countries)	-	Print the red colour patch page.
2-sided	2-sided Print	-	Select whether to print on both sides of the paper.
	Single Image	-	For a print job where the last page is a 1-sided image, select the 1-sided Feed option to reduce printing time. When you use preprinted paper, you must select the 2-sided Feed option. If you select 1-sided Feed for preprinted paper, the last page will be printed on the reverse side.
Auto Continue	-	-	Select this setting if you want the machine to clear paper size errors or media type errors, and use paper from other trays.
Output Colour	-	-	Set the output colour.
Paper Type	-	-	Set the paper type.
Paper Size	-	-	Set the paper size.
Copies	-	-	Set the number of printed pages.
Orientation	-	-	Set pages to print in either portrait or landscape orientation.
Edge Emphasis	-	-	Make the text appear sharper.
Print Position	MP Tray	X Offset	Adjust the print start position (usually at the upper left corner of a page) for the paper you loaded in the MP tray horizontally from -500 (left) to +500 (right) dots when printing at 300 dpi.
		Y Offset	Adjust the print start position (usually at the upper left corner of a page) for the paper you loaded in the MP tray vertically from -500 (up) to +500 (down) dots when printing at 300 dpi.
	Tray 1	X Offset	Adjust the print start position (usually at the upper left corner of a page) for the paper you loaded in the standard paper tray horizontally from -500 (left) to +500 (right) dots when printing at 300 dpi.

Level 3	Level 4	Level 5	Descriptions
<b>Print Position</b>	<b>Tray 1</b>	<b>Y Offset</b>	Adjust the print start position (usually at the upper left corner of a page) for the paper you loaded in the standard paper tray vertically from -500 (up) to +500 (down) dots when printing at 300 dpi.
	<b>Tray 2<sup>1</sup></b>	<b>X Offset</b>	Adjust the print start position (usually at the upper left corner of a page) for the paper you loaded in the Optional tray (Tray 2) horizontally from -500 (left) to +500 (right) dots when printing at 300 dpi.
		<b>Y Offset</b>	Adjust the print start position (usually at the upper left corner of a page) for the paper you loaded in the Optional tray (Tray 2) vertically from -500 (up) to +500 (down) dots when printing at 300 dpi.
	<b>Tray 3<sup>1</sup></b>	<b>X Offset</b>	Adjust the print start position (usually at the upper left corner of a page) for the paper you loaded in the Optional tray (Tray 3) horizontally from -500 (left) to +500 (right) dots when printing at 300 dpi.
		<b>Y Offset</b>	Adjust the print start position (usually at the upper left corner of a page) for the paper you loaded in the Optional tray (Tray 3) vertically from -500 (up) to +500 (down) dots when printing at 300 dpi.
	<b>Auto FF</b>	-	-
<b>HP LaserJet</b>	<b>Font No.</b>	<b>Font No.</b>	Set the font number.
		<b>Soft Font No.</b>	Set the soft font number. This menu appears if a soft font is installed on your Brother machine.
	<b>Font Pitch</b>	-	Set the font pitch. (Available only for certain fonts.)
	<b>Font Point</b>	-	Set the font size. (Available only for certain fonts.)
	<b>Symbol Set</b>	-	Select the symbol or character set.
	<b>Table Print</b>	-	Print the code table.
	<b>Auto LF</b>	-	ON: CR -> CR+LF, OFF: CR -> CR
	<b>Auto CR</b>	-	ON: LF -> LF+CR, FF -> FF+CR, or VT -> VT+CR OFF: LF -> LF, FF -> FF, or VT -> VT
	<b>Auto WRAP</b>	-	Select whether you want a line feed and carriage return when the carriage position reaches the right margin.
	<b>Auto SKIP</b>	-	Select whether you want a line feed and carriage return when the carriage position reaches the bottom margin.
	<b>Left Margin</b>	-	Set the left margin at column 0 to 70 columns at 1 cpi.
	<b>Right Margin</b>	-	Set the right margin at column 10 to 80 columns at 1 cpi.
	<b>Top Margin</b>	-	Set the top margin distance from the top edge of the paper.
	<b>Bottom Margin</b>	-	Set the bottom margin distance from the bottom edge of the paper.
<b>Lines</b>	-	Set the number of lines on each page.	

Level 3	Level 4	Level 5	Descriptions	
HP LaserJet	Tray Command	-	Select this setting if a tray mismatch appears when you use the HP drivers.	
BR-Script 3	Error Print	-	Choose whether the machine prints the error information when errors occur.	
	CAPT	-	Use CAPT (Colour Advanced Printing Technology) for optimal print quality when printing a PS file created by a non-Brother PS driver. Colours and photos appear clearer and more accurate. Print speed will be slower.	
PDF	Multiple Page	-	Set the page layout when printing multiple pages.	
	PDF Print Options	-	Set the PDF Print setting to print either comments (Markup) or stamps in the PDF file, along with the text.	
	PDF Fit to Page	-	Select if the machine scales or resizes the pages in the PDF file to fit the selected paper size.	
Carbon Menu	Carbon Copy	-	Enable or disable the Carbon Copy function.	
	Copies	-	Set the number of printed pages.	
	Copy1 Tray	-	Select the tray you use for Copy1.	
	Copy1 Stream	-	Select a stream for Copy1.	
	Copy2 Tray ... Copy8 Tray	-	Select the tray you use for Copy2 to Copy8.	
	Copy2 Stream ... Copy8 Stream	-	Select a stream for Copy2 to 8.	
Colour Correction	Correction Start	-	Initiate colour calibration to check and correct colours.	
	Reset	-	Reset the calibration parameters to the default settings.	
	Auto Correction	-	Set the machine to perform Colour Calibration and Registration automatically.	
	Colour Settings	Setting Mode	-	Select whether to apply the colour print settings of the machine or the printer driver.
		Colour Mode	-	Select the colour mode.
		Improve Grey Colour	-	Turn on or off to improve the image quality of shaded areas.
		Enhance Black Printing	-	Turn on or off if a black graphic does not print correctly.
		Brightness	-	Adjust the brightness.
		Contrast	-	Adjust the contrast.
		Red	-	Adjust the red colour.
Green	-	Adjust the green colour.		
Blue	-	Adjust the blue colour.		
Job Save Location (HL-L8570CDW)	-	-	Select the location where you want to save print jobs.	
Reset Printer	-	-	Restore the machine settings to the factory settings.	

<sup>1</sup> Available if the Optional Tray(s) is installed.

**[Network]**

**[All Settings] > [Network]**

Level 3	Level 4	Level 5	Level 6	Descriptions
Wired LAN	TCP/IP	Boot Method	-	Choose the IP method that best suits your needs.
		IP Address	-	Enter the IP address.
		Subnet Mask	-	Enter the Subnet mask.
		Gateway	-	Enter the Gateway address.
		Node Name	-	Enter the Node name.
		WINS Configuration	-	Select the WINS configuration mode.
		WINS Server	Primary	Specify the IP address of the primary WINS server.
			Secondary	Specify the IP address of the secondary WINS server.
		DNS Server	Primary	Specify the primary DNS server's IP address.
			Secondary	Specify the secondary DNS server's IP address.
	APIPA	-	Allocate the IP address from the link-local address range automatically <sup>1</sup> .	
	IPv6	-	Turn the IPv6 protocol on or off.	
	Ethernet	-	-	Choose the Ethernet link mode.
	Wired Status	-	-	Display the wired network connection status.
MAC Address	-	-	Display your machine's MAC address.	
Set to Default	-	-	Restore your machine's wired network settings to the factory settings.	
Wired Enable	-	-	Turn the wired interface on or off.	
WLAN (Wi-Fi)	Find Wi-Fi Network	-	-	Configure your wireless network settings manually.
	WPS/Push Button	-	-	Configure your wireless network settings using the one-button push method.
	WPS/PIN Code	-	-	Configure the wireless network settings using WPS with a PIN code.
	Recover WLAN	-	-	Reset and restart your wireless network.
	WLAN Status	Status	-	Display the wireless network connection status.
		Signal	-	Display the wireless network signal strength.
		SSID	-	Display the wireless SSID (Network Name).
		Comm. Mode	-	Display the current Communication mode.

Level 3	Level 4	Level 5	Level 6	Descriptions
WLAN (Wi-Fi)	TCP/IP	Boot Method	-	Choose the IP method that best suits your needs.
		IP Address	-	Enter the IP address.
		Subnet Mask	-	Enter the Subnet mask.
		Gateway	-	Enter the Gateway address.
		Node Name	-	Enter the Node name.
		WINS Configuration	-	Select the WINS configuration mode.
		WINS Server	Primary	Specify the IP address of the primary WINS server.
			Secondary	Specify the IP address of the secondary WINS server.
		DNS Server	Primary	Specify the primary DNS server's IP address.
			Secondary	Specify the secondary DNS server's IP address.
	APIPA	-	Allocate the IP address from the link-local address range automatically <sup>1</sup> .	
IPv6	-	Turn the IPv6 protocol on or off.		
MAC Address	-	-	Display your machine's MAC address.	
Set to Default	-	-	Restore your machine's wireless network settings to the factory settings.	
WLAN Enable	-	-	Turn the wireless interface on or off.	
Wi-Fi Direct	Manual	-	-	Configure your Wi-Fi Direct network settings manually.
	Group Owner	-	-	Set your machine as the Group Owner.
	Push Button	-	-	Configure your Wi-Fi Direct network settings using the one-push method before the operation times out.
	PIN Code	-	-	Configure your Wi-Fi Direct network settings using WPS with a PIN code before the operation times out.
	Device Information	Device Name	-	View your machine's device name.
		SSID	-	Display the Group Owner's SSID (Network Name).
		IP Address	-	Display your machine's IP Address.
	Status Information	Status	-	Display the Wi-Fi Direct network status.
		Signal	-	Display the current Wi-Fi Direct network signal strength.
	I/F Enable	-	-	Enable or disable the Wi-Fi Direct connection.
NFC	-	-	-	Turn the NFC function on or off.
Web Connect Settings	Proxy Settings	Proxy Connection	-	Change the web connection settings.
		Address	-	
		Port	-	
		User Name	-	

Level 3	Level 4	Level 5	Level 6	Descriptions
Web Connect Settings	Proxy Settings	Password	-	Change the web connection settings.
Web Based Mgmt	-	-	-	Enable or disable Web Based Management. If you enable this function, make sure you specify the connection method to use Web Based Management.
IPsec	-	-	-	IPsec is an optional security feature of the IP protocol that provides authentication and encryption services. We recommend contacting your network administrator before changing this setting.
IP Filter	-	-	-	Restrict access to your machine by enabling the IP filter.
Global Detect	Allow Detect	-	-	Enable or disable Global Detect, a function that detects and notifies the user when the user unintentionally connects to a global network.
	Reject Access	-	-	Disable connections to the global network.
Network Reset	-	-	-	Restore all network settings of your machine to the factory settings.

- 1 On connection to the network, if the machine's 'Boot Method' is 'Auto' the machine will attempt to set the IP address and Subnet Mask from a boot server such as DHCP. If a boot server cannot be found, an APIPA IP address will be allocated, such as 169. 254. (001-254). (000-255). If the 'Boot Method' of the machine is set to 'Static' you must manually enter an IP address from the machine's control panel.

## [Print Reports]

[All Settings] > [Print Reports]

Level 3	Descriptions
Printer Settings	Print the Printer Settings page.
Network Configuration	Print the Network Configuration Report.
Print File List	Print a list of data saved in the memory.
Drum Dot Print	Print the Drum Dot Check Sheet.
WLAN Report	Print the wireless connection diagnostics report.

## [Machine Information]

[All Settings] > [Machine Information]

Level 3	Level 4	Descriptions
Serial No.	-	Display the machine's serial number.
Firmware Version	Main Version	Check your machine's firmware version.
	Sub1 Version	
	Security Version	
Firmware Update	-	Update your machine's firmware to the latest version.
Firmware Update Setup	Update Method	Set the days and times for automatic firmware updates.
	Update Days	

Level 3	Level 4	Descriptions
Firmware Update Setup	Update Time	Set the days and times for automatic firmware updates.
Page Counter	Total	Display the total number of printed pages.
	Colour	Display the total colour printed pages.
	Black and White	Display the total monochrome printed pages.
Parts Life <sup>1</sup>	Drum	Display the remaining life of the drum unit.
	Belt	Display the remaining life of the belt unit.
	Fuser	Display the remaining life of the fuser unit.
	Laser Unit	Display the remaining life of the laser unit.
	PF Kit MP	Display the remaining life of PF Kit MP.
	PF Kit 1	Display the remaining life of PF Kit 1.
	PF Kit 2 <sup>2</sup>	Display the remaining life of PF Kit 2.
PF Kit 3 <sup>2</sup>	Display the remaining life of PF Kit 3.	

<sup>1</sup> The parts life is approximate and may vary by type of use.

<sup>2</sup> Available if the Optional Tray(s) is installed.

## [Initial Setup]

### [All Settings] > [Initial Setup]

Level 3	Level 4	Descriptions
Reset	Machine Reset	Restore all the machine's settings that you have changed, such as Paper Type.
	Network Reset	Restore all network settings of your machine to the factory settings.
	Factory Reset	Reset the machine and restore the printer settings (including command settings) to the factory settings.
Local Language	-	Select the LCD language for your country.



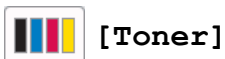
## Related Information


- [Settings and Features Tables](#)

## Feature Tables

- >> [Toner]
- >> Wi-Fi Setup
- >> [Functions]
- >> [Secure Print]


### [Toner]



Level 2	Level 3	Level 4	Descriptions	
 (Toner)	<b>Toner Life</b>	-	View the approximate remaining toner life for each colour.	
	<b>Test Print</b>	-	Print the test page.	
	<b>Colour Correction</b>	<b>Correction Start</b>		Perform colour calibration to check and correct colours, and then perform registration to align the print position of each colour.
		<b>Reset</b>		Reset the calibration parameters to the default settings.
	<b>Toner Cartridge Check</b>	<b>Black</b>		View the installed toner cartridge information on the LCD, for example, if the toner cartridge is genuine.
		<b>Cyan</b>		
		<b>Magenta</b>		
<b>Yellow</b>				

### Wi-Fi Setup



Level 2	Level 3	Descriptions
 (Wi-Fi Setup)	<b>Find Wi-Fi Network</b>	Configure the wireless network settings using the setup wizard.
	<b>WPS/Push Button</b>	Configure your wireless network settings using the one-button push method.
	<b>WPS/PIN Code</b> 1	Configure the wireless network settings using WPS with a PIN code.
	<b>Recover WLAN</b> <sup>1</sup>	Reset and restart your wireless network.
	<b>WLAN Status</b> 1	Display the wireless network connection status.
	<b>TCP/IP</b> 1	Change the TCP/IP settings.
	<b>MAC Address</b> 1	Display your machine's MAC address.
	<b>Set to Default</b> 1	Restore your machine's wireless network settings to the factory settings.
<b>WLAN Enable</b> 1	Turn the wireless interface on or off.	


<sup>1</sup> Available after a Wi-Fi® connection has been configured.

---

## [Functions]




### [Functions]

Level 2	Level 3	Descriptions
 (Functions)	Web	Press to connect your machine to an Internet service.
	Apps	Connect the Brother machine to the Brother Apps service.
	Direct Print	Press to access the Direct Print menu.

## [Secure Print]



### [Secure Print]

Level 2	Descriptions
 (Secure Print)	You can print data saved in the machine's memory when you enter your four-digit password. Active only when the machine has secure print data.



### Related Information

- [Settings and Features Tables](#)
-

## Change Machine Settings Using Web Based Management

Web Based Management is a utility that uses a standard web browser to manage your machine using the Hyper Text Transfer Protocol (HTTP) or Hyper Text Transfer Protocol over Secure Socket Layer (HTTPS).

- [What is Web Based Management?](#)
- [Access Web Based Management](#)
- [Change the Login Password Using Web Based Management](#)

## What is Web Based Management?

Web Based Management is a utility that uses a standard web browser to manage your machine using the Hyper Text Transfer Protocol (HTTP) or Hyper Text Transfer Protocol over Secure Socket Layer (HTTPS).



- We recommend using the latest version of the following web browsers:
  - Microsoft Edge, Firefox, and Google Chrome™ for Windows
  - Safari, Firefox, and Google Chrome™ for Mac
  - Google Chrome™ for Android™
  - Safari and Google Chrome™ for iOS
- Ensure that JavaScript and Cookies are always enabled, regardless of which browser you use.
- Make sure your machine is On and connected to the same network as your computer, and that your network supports the TCP/IP protocol.

The screenshot displays the Brother Web Based Management interface. On the left is a dark blue sidebar with a 'Logout' button and a menu with categories: Home (with 'Status' selected), Auto Refresh Interval, General, Print, Administrator, Online Functions, and Network. The main content area is white and features the 'brother' logo in the top right. The 'Status' section shows 'Device Status' as 'Ready' with a green bar. Below this is the 'Automatic Refresh' setting, currently set to 'Off'. The 'Toner Level' section shows four vertical bars for BK (Black), C (Cyan), M (Magenta), and Y (Yellow). The 'Web Language' is set to 'Auto' in a dropdown menu. The 'Device Location' section has fields for 'Contact' and 'Location'.

The actual screen may differ from the screen shown above.



### Related Information

- [Change Machine Settings Using Web Based Management](#)

## Access Web Based Management

- We recommend using the latest version of the following web browsers:
  - Microsoft Edge, Firefox, and Google Chrome™ for Windows
  - Safari, Firefox, and Google Chrome™ for Mac
  - Google Chrome™ for Android™
  - Safari and Google Chrome™ for iOS
- Ensure that JavaScript and Cookies are always enabled, regardless of which browser you use.
- We recommend using the HTTPS security protocol when configuring settings using Web Based Management. If you use HTTP when configuring settings using Web Based Management, follow the screen prompts to switch to a secure HTTPS connection.
- When you use HTTPS for Web Based Management configuration, your browser will display a warning dialog box. To avoid displaying the warning dialog box, you can install a self-signed certificate to use SSL/TLS communication. For more information, see the *Security Features Guide*.
- The default password to manage this machine's settings is located on the back of the machine and marked "**Pwd**". Change the default password by following the on-screen instructions when you first log in. We recommend immediately changing the default password to protect your machine from unauthorised access.

You can also find the default password in the Network Configuration Report or on the Printer Settings page.

>> [Access Web Based Management from your Web Browser](#)

>> [Access Web Based Management from Brother iPrint&Scan \(Windows/Mac\)](#)

>> [Access Web Based Management from Brother Utilities \(Windows\)](#)

### Access Web Based Management from your Web Browser

1. Start your web browser.
2. Type "https://machine's IP address" in your browser's address bar (where "machine's IP address" is your machine's IP address).

For example:

https://192.168.1.2

You will find your machine's IP address in the Network Configuration Report.

See [Print the Network Configuration Report](#).



- If you are using a Domain Name System or enable a NetBIOS name, you can type another name, such as "SharedPrinter" instead of the IP address.

For example: https://SharedPrinter
- If you enable a NetBIOS name, you can also use the node name.

For example: https://brn123456abcdef
- The NetBIOS name can be found in the Network Configuration Report or on the Printer Settings page.

3. If required, type the password in the **Login** field, and then click **Login**.



The default password to manage this machine's settings is located on the back of the machine and marked "**Pwd**". Change the default password by following the on-screen instructions when you first log in.

4. If you want to pin the navigation bar to the left side of the screen, click ☰ and then click 🌟.

You can now change the machine's settings.



If the machine is idle for a specified amount of time, the user is automatically logged out. Change the logout settings in the **Web Based Management Logout Time** menu.

## Access Web Based Management from Brother iPrint&Scan (Windows/Mac)

1. Start Brother iPrint&Scan.

- Windows

Launch  (**Brother iPrint&Scan**).

- Mac

In the **Finder** menu bar, click **Go > Applications**, and then double-click the iPrint&Scan icon.

The Brother iPrint&Scan screen appears.

2. If your Brother machine is not selected, click the **Add Machine / Select your Machine** button, and then select your model name from the list. Click **OK**.

3. Click the **Supplies/Machine Settings** button.




If the **Supplies/Machine Settings** window appears, click the **All Settings** link.

Web Based Management appears.

4. If required, type the password in the **Login** field, and then click **Login**.



The default password to manage this machine's settings is located on the back of the machine and marked "**Pwd**". Change the default password by following the on-screen instructions when you first log in.


5. If you want to pin the navigation bar to the left side of the screen, click  and then click .

You can now change the machine's settings.



- You can also access Web Based Management from Brother Mobile Connect for mobile devices.
- If the machine is idle for a specified amount of time, the user is automatically logged out. Change the logout settings in the **Web Based Management Logout Time** menu.

## Access Web Based Management from Brother Utilities (Windows)

1. Launch  (**Brother Utilities**), and then click the drop-down list and select your model name (if not already selected).

2. Click **Tools** in the left navigation bar, and then click **Machine Settings**.

Web Based Management appears.

3. If required, type the password in the **Login** field, and then click **Login**.



The default password to manage this machine's settings is located on the back of the machine and marked "**Pwd**". Change the default password by following the on-screen instructions when you first log in.

4. If you want to pin the navigation bar to the left side of the screen, click  and then click .

You can now change the machine's settings.



If the machine is idle for a specified amount of time, the user is automatically logged out. Change the logout settings in the **Web Based Management Logout Time** menu.

If you change the protocol settings, you must restart the machine after clicking **Submit** to activate the configuration.

After configuring the settings, click **Logout**.



## Related Information

- [Change Machine Settings Using Web Based Management](#)

### **Related Topics:**

- [Print the Network Configuration Report](#)
-

## Change the Login Password Using Web Based Management

The default password to manage this machine's settings is located on the back of the machine and marked "Pwd". Change the default password by following the on-screen instructions when you first log in. We recommend immediately changing the default password to protect your machine from unauthorised access.

1. Start Web Based Management. See [Access Web Based Management](#).
2. In the left navigation bar, click **Administrator** > **Login Password**.



- The default password to manage this machine's settings is located on the back of the machine and marked "Pwd".
- If the left navigation bar is not visible, start navigating from ☰.

3. To change the password, type your current password in the **Enter Old Password** field.
4. Following the on-screen **Login Password** guidelines, type your new password in the **Enter New Password** field.
5. Retype the new password in the **Confirm New Password** field.
6. Click **Submit**.



You can also change the lockout settings in the **Login Password** menu.



### Related Information

- [Change Machine Settings Using Web Based Management](#)

#### Related Topics:

- [Access Web Based Management](#)
- [Check Your Machine's Password](#)

## Appendix

- [Specifications](#)
- [Supplies](#)
- [Important Information About Toner Cartridge Life](#)
- [Accessories](#)
- [Brother Help and Customer Support](#)

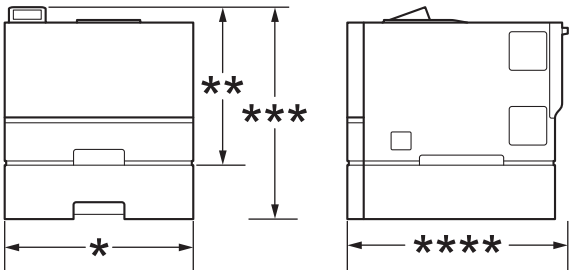
## Specifications

- >> General Specifications
- >> Print Media Specifications
- >> Printer Specifications
- >> Interface Specifications
- >> Direct Print Feature Specifications
- >> Supported Protocols and Security Features
- >> Computer Requirements Specifications

### General Specifications

<b>Printer Type</b>		Laser
<b>Print Method</b>		Electrophotographic Laser Printer
<b>Memory Capacity</b>	<b>Standard</b>	<ul style="list-style-type: none"> <li>• (HL-L8430CDW) 512 MB</li> <li>• (HL-L8570CDW) 1 GB</li> </ul>
<b>Machine Display</b>		2.7 in. (6.8 cm) TFT Colour touchscreen LCD <sup>1</sup>
<b>Power Source</b>		(For Taiwan) 110 V to 120 V AC 50/60 Hz (Except for Taiwan) 220 V to 240 V AC 50/60 Hz
<b>Power Consumption</b> (Average)	<b>Peak</b>	<ul style="list-style-type: none"> <li>• HL-L8430CDW (For Taiwan) Approximately 1,010 W (Except for Taiwan) Approximately 1,010 W</li> <li>• HL-L8570CDW (For Taiwan) - (Except for Taiwan) Approximately 1,010 W</li> </ul>
	<b>Printing</b> <sup>2</sup>	<ul style="list-style-type: none"> <li>• HL-L8430CDW (For Taiwan) Approximately 600 W at 25°C (Except for Taiwan) Approximately 540 W at 25°C</li> <li>• HL-L8570CDW (For Taiwan) - (Except for Taiwan) Approximately 540 W at 25°C</li> </ul>
	<b>Printing</b> (Quiet Mode) <sup>2</sup>	<ul style="list-style-type: none"> <li>• HL-L8430CDW (For Taiwan) Approximately 340 W at 25°C (Except for Taiwan) Approximately 330 W at 25°C</li> <li>• HL-L8570CDW (For Taiwan)</li> </ul>

<b>Power Consumption</b> (Average)		- (Except for Taiwan) Approximately 330 W at 25°C
	<b>Ready</b> <sup>2</sup>	<ul style="list-style-type: none"> <li>• HL-L8430CDW (For Taiwan) Approximately 60 W at 25°C (Except for Taiwan) Approximately 60 W at 25°C</li> <li>• HL-L8570CDW (For Taiwan) - (Except for Taiwan) Approximately 60 W at 25°C</li> </ul>
	<b>Sleep</b> <sup>2</sup>	<ul style="list-style-type: none"> <li>• HL-L8430CDW (For Taiwan) Approximately 7.6 W (Except for Taiwan) Approximately 7.6 W</li> <li>• HL-L8570CDW (For Taiwan) - (Except for Taiwan) Approximately 7.6 W</li> </ul>
	<b>Deep Sleep</b> <sup>2</sup>	<ul style="list-style-type: none"> <li>• HL-L8430CDW (For Taiwan) Approximately 0.4 W (Except for Taiwan) Approximately 0.4 W</li> <li>• HL-L8570CDW (For Taiwan) - (Except for Taiwan) Approximately 0.4 W</li> </ul>
	<b>Power Off</b> <sup>3 4</sup>	<ul style="list-style-type: none"> <li>• HL-L8430CDW (For Taiwan) Approximately 0.03 W (Except for Taiwan) Approximately 0.04 W</li> <li>• HL-L8570CDW (For Taiwan) - (Except for Taiwan) Approximately 0.04 W</li> </ul>
<b>Dimensions</b> (Typical outline view)		Unit: mm * : 404 ** : 338 **** : 473

				
<b>Weight (with supplies)</b>		<ul style="list-style-type: none"> <li>HL-L8430CDW 21.2 kg</li> <li>HL-L8570CDW 21.3 kg</li> </ul>		
<b>Noise Level</b>	<b>Sound Pressure</b> <sup>6</sup>	<b>Printing</b>	LpAm = 49 dB (A)	
		<b>Printing (Quiet Mode)</b>	LpAm = 44 dB (A)	
		<b>Ready</b>	Default: LpAm = 31 dB (A) <sup>5</sup>	
	<b>Sound Power</b> <sup>6</sup>	<b>Printing</b>	<b>Monochrome</b>	LWAc = 6.53 B (A)
			<b>Colour</b>	LWAc = 6.54 B (A)
		<b>Printing (Quiet Mode)</b>	<b>Monochrome</b>	LWAc = 5.86 B (A)
<b>Colour</b>			LWAc = 5.91 B (A)	
	<b>Ready</b>	Default: LWAc = 4.48 B (A) <sup>7</sup>		
<b>Temperature</b>	<b>Operating</b>	From 10°C to 32.5°C		
	<b>Storage</b>	From 0°C to 40°C		
<b>Humidity</b>	<b>Operating</b>	20% to 80% (without condensation)		
	<b>Storage</b>	35% to 85% (without condensation)		

1 Measured diagonally.

2 Measured when the machine is connected using the same network connection as the ENERGY STAR Ver. 3.2 test method.

3 Measured according to IEC 62301 Edition 2.0.

4 Power consumption varies slightly depending on the usage environment.

5 If fan motor is functioning: LpAm = 35 dB (A)

6 Measured in accordance with the method described in ISO 7779.

7 If fan motor is functioning: LWAc = 4.98 B (A)

## Print Media Specifications

<b>Paper Input</b>	<b>Paper Tray (Standard)</b>	<b>Paper Type</b>	Plain Paper, Letterhead, Coloured Paper, Thin Paper, Recycled Paper
		<b>Paper Size</b>	A4, Letter, B5 (JIS), A5, A5 (Long Edge), B6 (JIS), A6, Executive, Legal, Mexico Legal, India Legal, Folio, 16K (195x270 mm), A4 Short (270 mm Paper)
		<b>Paper Weight</b>	60 to 105 g/m <sup>2</sup>
		<b>Maximum Paper Capacity</b>	Up to 250 sheets of 80 g/m <sup>2</sup> Plain Paper

<b>Paper Input</b>	<b>Multi-purpose Tray (MP Tray)</b>	<b>Paper Type</b>	Plain Paper, Letterhead, Coloured Paper, Thin Paper, Thick Paper, Recycled Paper, Bond Paper, Label, Envelope, Env.Thin, Env.Thick, Glossy Paper
		<b>Paper Size</b>	<ul style="list-style-type: none"> <li>Width: 76.2 to 216 mm</li> <li>Length: 116 to 355.6 mm</li> <li>Envelope: COM-10, DL, C5, Monarch</li> </ul>
		<b>Paper Weight</b>	60 to 163 g/m <sup>2</sup>
		<b>Maximum Paper Capacity</b>	<ul style="list-style-type: none"> <li>Up to 50 sheets of 80 g/m<sup>2</sup> Plain Paper</li> <li>Envelope: 10 envelopes up to 10 mm thick</li> </ul>
	<b>Paper Tray 2, 3 (Optional) <sup>1</sup></b>	<b>Paper Type</b>	Plain Paper, Letterhead, Coloured Paper, Thin Paper, Recycled Paper
		<b>Paper Size</b>	A4, Letter, B5 (JIS), A5, B6 (JIS), Executive, Legal, Mexico Legal, India Legal, Folio, 16K (195x270 mm), A4 Short (270 mm Paper)
		<b>Paper Weight</b>	60 to 105 g/m <sup>2</sup>
		<b>Maximum Paper Capacity</b>	<ul style="list-style-type: none"> <li>LT-350CL Up to 250 sheets of 80 g/m<sup>2</sup> Plain Paper</li> <li>LT-360CL Up to 520 sheets of 80 g/m<sup>2</sup> Plain Paper</li> </ul>
<b>Paper Output <sup>2</sup></b>	<b>Face Down Output Tray</b>		Up to 150 sheets of 80 g/m <sup>2</sup> Plain Paper (face-down delivery to the face-down output paper tray)
	<b>Face Up Output Tray</b>		One sheet (face up delivery to the face up output tray)
<b>2-sided</b>	<b>Automatic 2-sided Printing</b>	<b>Paper Type</b>	Plain Paper, Letterhead, Coloured Paper, Thin Paper, Recycled Paper, Glossy Paper
		<b>Paper Size</b>	A4, A4 Short (270 mm Paper)
		<b>Paper Weight</b>	60 to 105 g/m <sup>2</sup>

<sup>1</sup> Maximum number of Lower Trays: Up to two LT-350CL Lower Trays, or up to two LT-360CL Lower Trays, or a combination of one LT-350CL and one LT-360CL.

<sup>2</sup> For labels, we recommend removing the printed sheets from the output paper tray immediately after they exit the machine to avoid the possibility of smudging.

## Printer Specifications

<b>Automatic 2-sided Print</b>		Yes
<b>Emulation</b>		PCL6, BR-Script3, PDF Version 2.0
<b>Resolution</b>		600 x 600 dpi, 2,400 dpi class (2400 x 600) quality
<b>Print Speed <sup>1 2</sup></b>	<b>1-sided Print</b>	<b>Monochrome</b> Up to 33 pages/minute (Letter size) Up to 31 pages/minute (A4 size)
		<b>Colour</b> Up to 33 pages/minute (Letter size) Up to 31 pages/minute (A4 size)
	<b>2-sided Print</b>	<b>Monochrome</b> Up to 21 sides per minute (Up to 10.5 sheets per minute) (Letter size) Up to 20 sides per minute (Up to 10 sheets per minute) (A4 size)
		<b>Colour</b>

<b>Print Speed</b> <sup>1 2</sup>	<b>2-sided Print</b>	Up to 21 sides per minute (Up to 10.5 sheets per minute) (Letter size) Up to 20 sides per minute (Up to 10 sheets per minute) (A4 size)
<b>First Print Time</b> <sup>3 4 5 6</sup>	<b>Monochrome</b> (For Taiwan) Less than 9.9 seconds (Except for Taiwan) Less than 9.9 seconds	
	<b>Colour</b> (For Taiwan) Less than 9.9 seconds (Except for Taiwan) Less than 9.9 seconds	

- 1 The print speed may change depending on the type of document you print.
- 2 The print speed may be slower when the machine is connected by wireless LAN.
- 3 Printing from Ready mode and standard tray.
- 4 Length of time from when the machine is started until paper output is complete (except when the machine is turned on or when an error is fixed).
- 5 May vary when calibration or registration is in progress.
- 6 This applies when printing on A4- or Letter-size paper from the standard tray. However, the First Print Time could be longer depending on the paper size and the amount of print data.

## Interface Specifications

<b>USB</b> <sup>1 2</sup>	Hi-Speed USB 2.0 Use a USB 2.0 interface cable (TypeA/B) that is no more than 2 metres long.
<b>LAN</b>	10Base-T/100Base-TX/1000Base-T <sup>3</sup>
<b>Wireless LAN</b>	(For Middle Eastern and African countries, Bangladesh, Nepal, Pakistan, and Turkey) <b>2.4 GHz</b> IEEE 802.11b/g/n (Infrastructure Mode) IEEE 802.11g/n (Wi-Fi Direct) (For other countries) <b>5 GHz</b> IEEE 802.11a/n (Infrastructure Mode) IEEE 802.11a/n (Wi-Fi Direct) <b>2.4 GHz</b> IEEE 802.11b/g/n (Infrastructure Mode) IEEE 802.11g/n (Wi-Fi Direct)
<b>NFC</b> <sup>4</sup>	Yes

- 1 Your machine has a USB 2.0 Hi-Speed interface. The machine can also be connected to a computer that has a USB 1.1 interface.
- 2 Third party USB hub devices are not supported.
- 3 Use a Category 5e (or greater) network cable.
- 4 When you connect an external IC card reader, use a HID class driver supported device.

## Direct Print Feature Specifications

<b>Compatibility</b>	PDF version2.0, JPEG, TIFF (scanned by Brother models), PRN-GDI (created by the machine's own printer driver), PRN-PS (created by the machine's own printer driver)
<b>Interface</b>	USB direct interface: Front x1, Rear x1 (HL-L8570CDW)

## Supported Protocols and Security Features

Supported protocols and security features may differ depending on the model.

## Ethernet

10Base-T/100Base-TX/1000Base-T

## Wireless LAN (5GHz)

IEEE 802.11a/n (Infrastructure Mode), IEEE 802.11a/n (Wi-Fi Direct)

## Wireless LAN (2.4GHz)

IEEE 802.11b/g/n (Infrastructure Mode), IEEE 802.11g/n (Wi-Fi Direct)

## Protocols (IPv4)

ARP, RARP, BOOTP, DHCP, APIPA (Auto IP), WINS/NetBIOS name resolution, DNS Resolver, mDNS, LLMNR responder, LPR/LPD, Custom Raw Port/Port9100, SMTP Client, IPP/IPPS, FTP Server, CIFS Client, TELNET Server, SNMPv1/v2c/v3, HTTP/HTTPS server, TFTP client and server, ICMP, Web Services (Print), SNTTP Client, LDAP, LDAPS, Syslog

## Protocols (IPv6)

NDP, RA, DNS resolver, mDNS, LLMNR responder, LPR/LPD, Custom Raw Port/Port9100, IPP/IPPS, SMTP Client, FTP Server, CIFS Client, TELNET Server, SNMPv1/v2c/v3, HTTP/HTTPS server, TFTP client and server, ICMPv6, Web Services (Print), SNTTP Client, LDAP, LDAPS, Syslog

## Network Security (Wired)

SMTP-AUTH, SSL/TLS (IPP, HTTP, SMTP, LDAP), SNMP v3, 802.1x (EAP-MD5, EAP-FAST, PEAP, EAP-TLS, EAP-TTLS), OAuth (SMTP), Kerberos, IPsec

## Network Security (Wireless)

SMTP-AUTH, SSL/TLS (IPP, HTTP, SMTP, LDAP), SNMP v3, 802.1x (EAP-FAST, PEAP, EAP-TLS, EAP-TTLS), OAuth (SMTP), Kerberos, IPsec

## Wireless Network Security

WEP 64/128 bit, WPA-PSK (TKIP/AES), WPA2-PSK (TKIP/AES), WPA3-SAE (AES) (Wi-Fi Direct supports WPA2-PSK (AES) only)

## Wireless Certification

Wi-Fi CERTIFIED, WPA3-Enterprise/Personal, Wi-Fi Protected Setup, Wi-Fi Direct

## Computer Requirements Specifications

Supported Operating Systems And Software Functions

Computer Platform & Operating System Version		Computer Interface			Processor	Hard Disk Space to Install <sup>1</sup>	
		USB <sup>2</sup>	Wired LAN	Wireless LAN		For Drivers	For Applications (including Drivers)
Windows Operating System	Windows 10 Home / 10 Pro / 10 Education / 10 Enterprise	Printing			32 bit (x86) or 64 bit (x64) processor	50 MB	1.8 GB
	Windows 11 Home / 11 Pro / 11 Education / 11 Enterprise				64 bit (x64) processor		
	Windows Server 2016	Printing			64 bit (x64) processor	50 MB	50 MB

	Windows Server 2019				
	Windows Server 2022				
Mac Operating System <sup>3</sup>	macOS v13	Printing	64bit processor	N/A	500 MB
	macOS v14				
	macOS v15				
ChromeOS™		Printing	N/A	N/A	N/A
Linux (Supported Package Management System: dpkg, rpm) <sup>4</sup>		Printing	32bit (x86) or 64bit (x64) processor	20 MB	20 MB

<sup>1</sup> An Internet connection is required to install the software.

<sup>2</sup> Third party USB ports are not supported.

<sup>3</sup> macOS Disclaimer

AirPrint capable: Printing via macOS requires the use of AirPrint. Mac drivers are not provided for this machine.

<sup>4</sup> The driver is known to work on the following Linux Distributions:

Red Hat Enterprise Linux 8.6 64bit, Red Hat Enterprise Linux 9.1 64bit, Fedora 39 64bit, Mageia 9 32bit, Mageia 9 64bit, openSUSE 15.5 64bit, SUSE Enterprise15-SP4 64bit, Debian 12.2.0 32bit, Debian 12.2.0 64bit, Ubuntu MATE 18.04 32bit, Ubuntu 22.04 64bit, Ubuntu 23.10 64bit, Linux Mint 21.2 64bit, Ubuntu 24.04 64bit.

For the latest driver updates, go to your model's **Downloads** page at [support.brother.com/downloads](https://support.brother.com/downloads).

For the latest supported OS, go to your model's **Supported OS** page at [support.brother.com/os](https://support.brother.com/os).

All trademarks, brand and product names are the property of their respective companies.



## Related Information

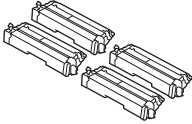
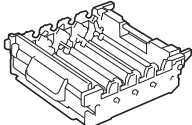
- [Appendix](#)

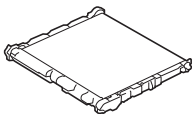
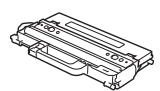
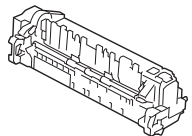
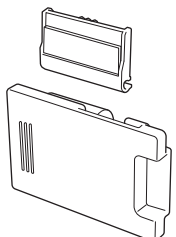
## Supplies

When the time comes to replace supplies, such as the toner cartridge or drum unit, an error will appear on your machine's control panel. For more information about the supplies for your machine, visit [go.brother/original](http://go.brother/original) or contact your local Brother dealer.



Supply product codes vary by country and region.

For Oceania countries			
Supply Items	Supply Product Codes	Approximate Life (Page Yield)	Applicable Models
<b>Toner Cartridge</b> 	<b>Standard Toner:</b> <ul style="list-style-type: none"> <li>Black: TN645BK</li> <li>Cyan: TN645C</li> <li>Magenta: TN645M</li> <li>Yellow: TN645Y</li> </ul>	<ul style="list-style-type: none"> <li>Black: Approximately 3,000 pages<sup>1</sup><sub>2</sub></li> <li>Cyan / Magenta / Yellow: Approximately 1,800 pages<sup>1</sup><sub>2</sub></li> </ul>	HL-L8430CDW
	<b>High Yield Toner:</b> <ul style="list-style-type: none"> <li>Black: TN645XLBK</li> <li>Cyan: TN645XLC</li> <li>Magenta: TN645XLM</li> <li>Yellow: TN645XLY</li> </ul>	<ul style="list-style-type: none"> <li>Black: Approximately 5,500 pages<sup>1</sup><sub>2</sub></li> <li>Cyan / Magenta / Yellow: Approximately 4,500 pages<sup>1</sup><sub>2</sub></li> </ul>	HL-L8430CDW
	<b>Super High Yield Toner:</b> <ul style="list-style-type: none"> <li>Black: TN645XXLBK</li> <li>Cyan: TN645XXLC</li> <li>Magenta: TN645XXLM</li> <li>Yellow: TN645XXLY</li> </ul>	<ul style="list-style-type: none"> <li>Black: Approximately 7,500 pages<sup>1</sup><sub>2</sub></li> <li>Cyan / Magenta / Yellow: Approximately 6,500 pages<sup>1</sup><sub>2</sub></li> </ul>	HL-L8430CDW
	<b>Inbox Toner:</b> (Supplied with your machine)		<ul style="list-style-type: none"> <li>Black: Approximately 3,000 pages<sup>1</sup><sub>2</sub></li> <li>Cyan / Magenta / Yellow: Approximately 1,800 pages<sup>1</sup><sub>2</sub></li> </ul>
<b>Drum Unit</b> 	DR645CL	Approximately 30,000 pages <sup>3</sup>	HL-L8430CDW

For Oceania countries			
Supply Items	Supply Product Codes	Approximate Life (Page Yield)	Applicable Models
<b>Belt Unit</b> 	BU635CL	Approximately 50,000 pages <sup>4</sup>	HL-L8430CDW
<b>Waste Toner Box</b> 	WT229CL	Approximately 50,000 pages <sup>5</sup>	HL-L8430CDW
<b>Fuser Unit</b> 	FD-5000 230V	Approximately 100,000 pages <sup>6</sup>	HL-L8430CDW
<b>Paper Feeding Kit for the Multi-purpose (MP) Tray</b> 	PF-M5000	Approximately 50,000 pages <sup>7</sup>	HL-L8430CDW

<sup>1</sup> The approximate cartridge yield is declared in accordance with ISO/IEC 19798.

<sup>2</sup> A4 or Letter size single-sided pages

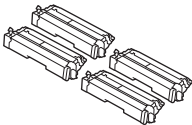
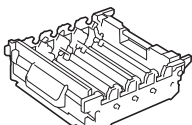
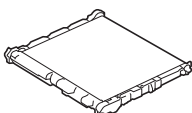
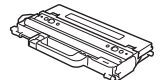
<sup>3</sup> • Approximately 30,000 pages based on one page per job (A4/letter single-sided pages)  
• Approximately 50,000 pages based on three pages per job (A4/letter single-sided pages)  
The number of pages may be affected due to a variety of factors including but not limited to media type and media size.

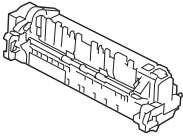
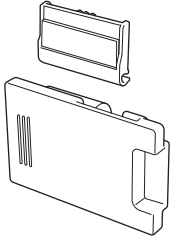
<sup>4</sup> • Approximately 50,000 pages based on one page per job (A4/letter single-sided pages)  
• Approximately 100,000 pages based on three pages per job (A4/letter single-sided pages)  
The number of pages may be affected due to a variety of factors including but not limited to media type and media size.

<sup>5</sup> Approximately 50,000 pages based on five pages per job (A4/Letter single-sided pages). The number of pages may be affected due to a variety of factors including but not limited to media type and media size.

<sup>6</sup> Approximately 100,000 pages based on five pages per job (A4/Letter single-sided pages). The number of pages may be affected due to a variety of factors including but not limited to media type and media size.

<sup>7</sup> Approximately 50,000 pages based on five pages per job (A4/Letter single-sided pages). The number of pages may be affected due to a variety of factors including but not limited to media type and media size.

For Middle Eastern and African countries			
Supply Items	Supply Product Codes	Approximate Life (Page Yield)	Applicable Models
<b>Toner Cartridge</b> 	Standard Toner: <ul style="list-style-type: none"> <li>Black: TN665BK</li> <li>Cyan: TN665C</li> <li>Magenta: TN665M</li> <li>Yellow: TN665Y</li> </ul>	<ul style="list-style-type: none"> <li>Black: Approximately 3,000 pages<sup>1</sup><sub>2</sub></li> <li>Cyan / Magenta / Yellow: Approximately 1,800 pages<sup>1</sup><sub>2</sub></li> </ul>	HL-L8430CDW
	Super High Yield Toner: <ul style="list-style-type: none"> <li>Black: TN665XXLBK</li> <li>Cyan: TN665XXLC</li> <li>Magenta: TN665XXLM</li> <li>Yellow: TN665XXLY</li> </ul>	<ul style="list-style-type: none"> <li>Black: Approximately 7,500 pages<sup>1</sup><sub>2</sub></li> <li>Cyan / Magenta / Yellow: Approximately 6,500 pages<sup>1</sup><sub>2</sub></li> </ul>	HL-L8430CDW
	Ultra High Yield Toner: <ul style="list-style-type: none"> <li>Black: TN667BK</li> <li>Cyan: TN667C</li> <li>Magenta: TN667M</li> <li>Yellow: TN667Y</li> </ul>	<ul style="list-style-type: none"> <li>Black: Approximately 10,000 pages<sup>1</sup><sub>2</sub></li> <li>Cyan / Magenta / Yellow: Approximately 10,000 pages<sup>1</sup><sub>2</sub></li> </ul>	HL-L8430CDW
	Inbox Toner: (Supplied with your machine)	<ul style="list-style-type: none"> <li>Black: Approximately 3,000 pages<sup>1</sup><sub>2</sub></li> <li>Cyan / Magenta / Yellow: Approximately 1,800 pages<sup>1</sup><sub>2</sub></li> </ul>	HL-L8430CDW
<b>Drum Unit</b> 	DR665CL	Approximately 30,000 pages <sup>3</sup>	HL-L8430CDW
<b>Belt Unit</b> 	BU635CL	Approximately 50,000 pages <sup>4</sup>	HL-L8430CDW
<b>Waste Toner Box</b> 	WT229CL	Approximately 50,000 pages <sup>5</sup>	HL-L8430CDW

For Middle Eastern and African countries			
Supply Items	Supply Product Codes	Approximate Life (Page Yield)	Applicable Models
<b>Fuser Unit</b> 	FD-5000 230V	Approximately 100,000 pages <sup>6</sup>	HL-L8430CDW
<b>Paper Feeding Kit for the Multi-purpose (MP) Tray</b> 	PF-M5000	Approximately 50,000 pages <sup>7</sup>	HL-L8430CDW

1 The approximate cartridge yield is declared in accordance with ISO/IEC 19798.

2 A4 or Letter size single-sided pages

3 • Approximately 30,000 pages based on one page per job (A4/letter single-sided pages)

• Approximately 50,000 pages based on three pages per job (A4/letter single-sided pages)

The number of pages may be affected due to a variety of factors including but not limited to media type and media size.

4 • Approximately 50,000 pages based on one page per job (A4/letter single-sided pages)

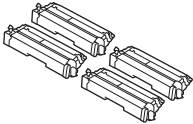
• Approximately 100,000 pages based on three pages per job (A4/letter single-sided pages)

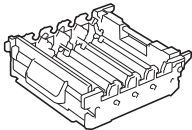
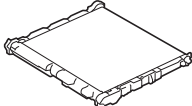
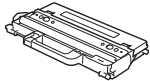
The number of pages may be affected due to a variety of factors including but not limited to media type and media size.

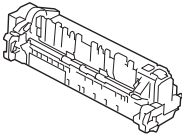
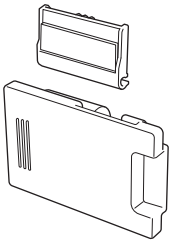
5 Approximately 50,000 pages based on five pages per job (A4/Letter single-sided pages). The number of pages may be affected due to a variety of factors including but not limited to media type and media size.

6 Approximately 100,000 pages based on five pages per job (A4/Letter single-sided pages). The number of pages may be affected due to a variety of factors including but not limited to media type and media size.

7 Approximately 50,000 pages based on five pages per job (A4/Letter single-sided pages). The number of pages may be affected due to a variety of factors including but not limited to media type and media size.

For Asian countries			
Supply Items	Supply Product Codes	Approximate Life (Page Yield)	Applicable Models
<b>Toner Cartridge</b> 	Standard Toner: • Black: TN655BK • Cyan: TN655C • Magenta: TN655M • Yellow: TN655Y	• Black: Approximately 3,000 pages <sup>1</sup> <sub>2</sub> • Cyan / Magenta / Yellow: Approximately 1,800 pages <sup>1</sup> <sub>2</sub>	HL-L8430CDW/HL-L8570CDW

For Asian countries			
Supply Items	Supply Product Codes	Approximate Life (Page Yield)	Applicable Models
	Super High Yield Toner: <ul style="list-style-type: none"> <li>Black: TN655XXLBK</li> <li>Cyan: TN655XXLC</li> <li>Magenta: TN655XXLM</li> <li>Yellow: TN655XXLY</li> </ul>	<ul style="list-style-type: none"> <li>Black: Approximately 7,500 pages<sup>1</sup><sub>2</sub></li> <li>Cyan / Magenta / Yellow: Approximately 6,500 pages<sup>1</sup><sub>2</sub></li> </ul>	HL-L8430CDW/HL-L8570CDW
	Ultra High Yield Toner: <ul style="list-style-type: none"> <li>Black: TN657BK</li> <li>Cyan: TN657C</li> <li>Magenta: TN657M</li> <li>Yellow: TN657Y</li> </ul>	<ul style="list-style-type: none"> <li>Black: Approximately 10,000 pages<sup>1</sup><sub>2</sub></li> <li>Cyan / Magenta / Yellow: Approximately 10,000 pages<sup>1</sup><sub>2</sub></li> </ul>	HL-L8430CDW/HL-L8570CDW
	Inbox Toner: (Supplied with your machine)	<ul style="list-style-type: none"> <li>Black: Approximately 3,000 pages<sup>1</sup><sub>2</sub></li> <li>Cyan / Magenta / Yellow: Approximately 1,800 pages<sup>1</sup><sub>2</sub></li> </ul>	HL-L8430CDW
		<ul style="list-style-type: none"> <li>Black: Approximately 7,500 pages<sup>1</sup><sub>2</sub></li> <li>Cyan / Magenta / Yellow: Approximately 6,500 pages<sup>1</sup><sub>2</sub></li> </ul>	HL-L8570CDW
<b>Drum Unit</b> 	DR655CL	Approximately 30,000 pages <sup>3</sup>	HL-L8430CDW/HL-L8570CDW
<b>Belt Unit</b> 	BU635CL	Approximately 50,000 pages <sup>4</sup>	HL-L8430CDW/HL-L8570CDW
<b>Waste Toner Box</b> 	WT229CL	Approximately 50,000 pages <sup>5</sup>	HL-L8430CDW/HL-L8570CDW
<b>Fuser Unit</b>	(For Taiwan) FD-5000 115V (Except for Taiwan)	Approximately 100,000 pages <sup>6</sup>	HL-L8430CDW/HL-L8570CDW

For Asian countries			
Supply Items	Supply Product Codes	Approximate Life (Page Yield)	Applicable Models
	FD-5000 230V		
<b>Paper Feeding Kit for the Multi-purpose (MP) Tray</b> 	PF-M5000	Approximately 50,000 pages <sup>7</sup>	HL-L8430CDW/HL-L8570CDW

<sup>1</sup> The approximate cartridge yield is declared in accordance with ISO/IEC 19798.

<sup>2</sup> A4 or Letter size single-sided pages

<sup>3</sup> • Approximately 30,000 pages based on one page per job (A4/letter single-sided pages)

• Approximately 50,000 pages based on three pages per job (A4/letter single-sided pages)

The number of pages may be affected due to a variety of factors including but not limited to media type and media size.

<sup>4</sup> • Approximately 50,000 pages based on one page per job (A4/letter single-sided pages)

• Approximately 100,000 pages based on three pages per job (A4/letter single-sided pages)

The number of pages may be affected due to a variety of factors including but not limited to media type and media size.

<sup>5</sup> Approximately 50,000 pages based on five pages per job (A4/Letter single-sided pages). The number of pages may be affected due to a variety of factors including but not limited to media type and media size.

<sup>6</sup> Approximately 100,000 pages based on five pages per job (A4/Letter single-sided pages). The number of pages may be affected due to a variety of factors including but not limited to media type and media size.

<sup>7</sup> Approximately 50,000 pages based on five pages per job (A4/Letter single-sided pages). The number of pages may be affected due to a variety of factors including but not limited to media type and media size.



## Related Information

- [Appendix](#)

## Important Information About Toner Cartridge Life

### Toner Cartridge Life

This product detects the life of the toner cartridges using the following two methods:

- Detection by counting the dots of each colour that are necessary to create an image
- Detection by counting the rotations of the developer roller

The print operation will stop when either of the upper limits is reached. The upper limit is set above the number of dots or rotations that would be required for the cartridge to perform consistently with its advertised page yield. This function is intended to reduce the risk of poor print quality and damage to the machine.

There are two messages that indicate when the toner is low or needs replacing: Toner Low and Replace Toner.

Toner Low is displayed on the LCD when the number of dots or rotations of the developer roller nears its maximum count. Replace Toner is displayed on the LCD when the number of dots or rotations of the developer roller reaches its maximum count.

### Colour Correction

The number of developer roller rotations that is counted may not only be for normal operations, such as printing and copying, but also for machine adjustments, such as Colour Calibration and Colour Registration.

#### Colour Calibration (Adjustment of Colour Density)

To obtain stable print quality, the density of each toner cartridge needs to be maintained at a fixed value. If the density balance between the colours cannot be kept, the tint becomes unstable, and accurate colour reproduction becomes impossible. The toner density can change due to chemical changes to the toner that affect its electrical charge, deterioration of the developer unit, and temperature and humidity levels in the machine. During calibration, the density level adjustment test patterns are printed on the belt unit.

Calibration is mainly performed at the following times:

- When you start the Colour Correction from the control panel to improve the colour density.
- When you replace a used toner cartridge or drum unit with a new one.
- When the machine detects that the ambient temperature and humidity have changed.
- When a specified number of printed pages is reached.

#### Colour Registration (Correction of Colour Position)

In this machine, the drum unit and developer unit are prepared for black (K), yellow (Y), magenta (M), and cyan (C), respectively. Four colour images are combined into one image, and therefore colour registration errors (for example, how the four colour images align) may occur. When registration errors occur, registration correction test patterns are printed on the belt unit.

Registration is mainly performed at the following times:

- When you start the Colour Correction to clear the colour registration error.
- When a specified number of printed pages is reached.



### Related Information

- [Appendix](#)

## Accessories

Availability of accessories may vary depending on your country or region. For more information about the accessories for your machine, visit [go.brother/original](http://go.brother/original) or contact your Brother dealer or Brother customer service.

Product Codes	Items	Applicable Models
LT-350CL	Lower Tray (250 sheets)	HL-L8430CDW/HL-L8570CDW
LT-360CL	Lower Tray (520 sheets)	HL-L8430CDW/HL-L8570CDW



### Related Information

- [Appendix](#)

## Brother Help and Customer Support

If you need help with using your Brother product, visit [support.brother.com](http://support.brother.com) for FAQs and troubleshooting tips. You can also download the latest software, drivers and firmware, to improve the performance of your machine, and user documentation, to learn how to get the most from your Brother product.

Further product and support information is available from your local Brother office website. Visit [global.brother/en/gateway](http://global.brother/en/gateway) to find the contact details for your local Brother office and to register your new product.



### Related Information

- [Appendix](#)
-

brother

