



# Online User's Guide

**DCP-L8630CDW**

**MFC-L8730CDW**

**MFC-L8930CDW**

**MFC-L8970CDW**

**MFC-EX575**

## Table of Contents

<b>Before You Use Your Machine .....</b>	<b>1</b>
Definitions of Notes .....	2
Notice - Disclaimer of Warranties (USA and Canada) .....	3
Trademarks .....	4
Open Source Licensing .....	5
Copyright and License .....	6
Important Notes.....	7
<b>Introduction to Your Machine.....</b>	<b>8</b>
Before Using Your Machine .....	9
Control Panel Overview .....	10
Touchscreen LCD Overview.....	12
How to Navigate the Touchscreen LCD .....	20
How to Enter Text on Your Machine .....	21
Set the Main Home Screen .....	22
Customization of Your Machine .....	23
Access Brother Utilities (Windows) .....	24
Uninstall the Software and Drivers (Windows) .....	25
Access Brother iPrint&Scan (Windows/Mac) .....	26
Input/Output Port Locations on Your Machine .....	27
<b>Paper Handling.....</b>	<b>28</b>
Load Paper.....	29
Load Paper in the Paper Tray .....	30
Load Paper in the Multi-purpose Tray (MP Tray) .....	33
Load and Print Labels Using the MP Tray.....	36
Load and Print Envelopes Using the MP Tray.....	38
Paper Settings.....	40
Change the Paper Size and Paper Type.....	41
Select the Paper Tray For Printing .....	42
Change the Check Paper Setting .....	43
Recommended Print Media .....	44
Load Documents .....	45
Load Documents in the Automatic Document Feeder (ADF) .....	46
Load Documents on the Scanner Glass.....	47
Unscannable and Unprintable Areas .....	48
Using Special Paper.....	49
<b>Print.....</b>	<b>50</b>
Print from Your Computer (Windows).....	51
Print a Document (Windows).....	52
Print on Both Sides of the Paper (Windows) .....	54
Secure Print (Windows).....	57
Change the Default Print Settings (Windows) .....	58
Print Settings (Windows) .....	60
Print a Document Using the BR-Script3 Printer Driver (PostScript® 3™ Language Emulation) (Windows) .....	65
Print from Your Computer (Mac) .....	66

Load and Print Envelopes Using the MP Tray .....	67
Print an Email Attachment.....	69
Secure Print Using a USB Flash Drive.....	70
Print Data Directly from a USB Flash Drive or Digital Camera Supporting Mass Storage.....	72
Print Duplicate Copies.....	74
Cancel a Print Job.....	75
Universal Print.....	76
Universal Print Overview .....	77
Configure Universal Print .....	78
Add a Universal Print-enabled Printer to Your Computer .....	79
Deregister Your Machine from Universal Print .....	80
<b>Scan.....</b>	<b>81</b>
Scan Using the Scan Button on Your Machine .....	82
Scan Photos and Graphics.....	83
Scan Documents as a Single PDF File .....	85
Save Scanned Data to a USB Flash Drive.....	87
Scan Multiple Business Cards and Photos (Auto Crop).....	89
Scan to an Editable Text File (OCR) .....	90
Save Scanned Data as an Email Attachment .....	92
Send Scanned Data to an Email Recipient .....	94
Scan to FTP .....	96
Scan to SSH Server (SFTP) .....	100
Scan to Network (Windows).....	107
Scan to SharePoint .....	111
Use the Web Services Protocol for Network Scanning (Windows) .....	115
Change the Scan Button Settings from Brother iPrint&Scan .....	119
Configure Certificates for Signed PDFs .....	120
Disable Scanning from Your Computer .....	121
Scan from Your Computer (Windows).....	122
Scan Using Brother iPrint&Scan (Windows/Mac).....	123
Scan Using Kofax PaperPort™ 14SE or Other Windows Applications.....	124
Scan Using Windows Fax and Scan .....	129
Scan from Your Computer (Mac).....	132
Secure Scan.....	133
Configure Scan Settings Using Web Based Management.....	134
Set the Scan File Name Using Web Based Management.....	135
Set the Scan Job Email Report Using Web Based Management .....	136
<b>Copy .....</b>	<b>137</b>
Copy on One Side of the Paper (1-sided).....	138
Copy on Both Sides of the Paper (2-sided).....	142
Enlarge or Reduce Copied Images .....	144
Make N in 1 Copies Using the Page Layout Feature .....	145
Interrupt a Print Job with a Copy Job .....	146
Copy an ID Card .....	147
Copy Options .....	149
<b>Fax .....</b>	<b>151</b>
Initial Fax Setup and Telephone Services.....	152

Set Your Station ID .....	153
Set Tone or Pulse Dialing Mode (For Canada).....	154
Add a Prefix to Every Fax Number.....	155
Send a Fax.....	156
Send a Fax .....	157
Send a Fax Manually.....	158
Send the Same Fax to More than One Recipient (Broadcasting) .....	159
Fax Options .....	161
Receive a Fax .....	162
Receive Mode Settings .....	163
Memory Receive Options.....	169
Fax Numbers.....	170
Store Fax Numbers .....	171
Set up Broadcasting Groups .....	174
Fax Reports.....	175
Print a Transmission Verification Report .....	176
Print a Fax Journal .....	177
External Devices .....	178
PC-FAX .....	179
I-Fax (Fax Using the Internet) .....	180
<b>Network .....</b>	<b>181</b>
Supported Basic Network Features .....	182
Configure Network Settings .....	183
Configure Network Details Using the Control Panel.....	184
Wireless Network Settings .....	185
Use the Wireless Network .....	186
Use Wi-Fi Direct® .....	198
Enable/Disable Wireless LAN .....	202
Print the WLAN Report.....	203
Network Features.....	207
Configure the Proxy Server Settings Using Web Based Management .....	208
Print the Network Configuration Report.....	209
Use the Send Fax to Server Feature.....	210
Configure and Operate LDAP Search .....	214
Synchronize Time with the SNTP Server Using Web Based Management .....	217
Forward Incoming Faxes to a Network Destination.....	220
Gigabit Ethernet (Wired Network Only) .....	223
Use Global Network Detection Features .....	224
Reset the Network Settings to the Factory Settings.....	227
Brother Management Tools .....	228
<b>Security .....</b>	<b>229</b>
<b>Mobile/Web Connect.....</b>	<b>230</b>
Brother Web Connect.....	231
Brother Web Connect Overview .....	232
Online Services Used with Brother Web Connect.....	234
Set Up Brother Web Connect.....	235
Scan and Upload Documents Using Brother Web Connect.....	242

Download and Print Documents Using Brother Web Connect .....	243
FaxForward to Cloud or E-mail .....	244
AirPrint .....	246
AirPrint Overview .....	247
Before Using AirPrint (macOS) .....	248
Print Using AirPrint .....	249
Scan Using AirPrint (macOS) .....	252
Send a Fax Using AirPrint (macOS) .....	253
Mopria™ Print Service and Mopria™ Scan .....	254
Brother Mobile Connect .....	255
<b>Troubleshooting .....</b>	<b>256</b>
<b>Routine Maintenance .....</b>	<b>257</b>
Replace Supplies .....	258
Replace the Toner Cartridge .....	261
Replace the Drum Unit .....	264
Replace the Belt Unit .....	268
Replace the Waste Toner Box .....	271
Replace the Fuser Unit .....	275
Replace the Paper Feeding Kit for the Multi-purpose (MP) Tray .....	278
Clean the Machine .....	282
Clean the Scanner .....	284
Clean the Touchscreen LCD .....	286
Clean the Corona Wires .....	287
Clean the Drum Unit .....	290
Clean the Paper Pick-up Rollers .....	295
Correct Color Printing .....	297
Set the Auto Correction Function .....	298
Reset the Machine's Color Correction Settings .....	299
Check the Remaining Part Life .....	300
Monitor Machine Status Using Brother iPrint&Scan (Windows/Mac) .....	301
Check the Machine Information .....	303
Update Your Machine's Firmware .....	304
Reset Your Machine .....	305
Reset Functions Overview .....	306
Reset Your Machine .....	307
Pack and Ship Your Machine .....	308
<b>Machine Settings .....</b>	<b>311</b>
Check Your Machine's Password .....	312
Change Machine Settings from the Control Panel .....	313
In the Event of Power Failure (Memory Storage) .....	314
General Settings .....	315
Save Your Favorite Settings as a Shortcut .....	329
Print Reports .....	334
Settings and Features Tables .....	337
Change Machine Settings Using Web Based Management .....	406
What is Web Based Management? .....	407
Access Web Based Management .....	408

Change the Login Password Using Web Based Management ..... 411  
Set Up Your Machine's Address Book Using Web Based Management ..... 412

**Appendix..... 413**








Specifications ..... 414  
5 GHz Wi-Fi Network Channels Supported by Your Machine (USA, Canada, Mexico and Caribbean countries only)..... 422  
Supplies ..... 423  
Important Information About Toner Cartridge Life ..... 426  
Accessories..... 427  
Brother Help and Customer Support..... 428

## Before You Use Your Machine

- [Definitions of Notes](#)
- [Notice - Disclaimer of Warranties \(USA and Canada\)](#)
- [Trademarks](#)
- [Open Source Licensing](#)
- [Copyright and License](#)
- [Important Notes](#)

## Definitions of Notes

We use the following symbols and conventions throughout this User's Guide:

 <b>WARNING</b>	WARNING indicates a potentially hazardous situation which, if not avoided, could result in death or serious injuries.
 <b>CAUTION</b>	CAUTION indicates a potentially hazardous situation which, if not avoided, may result in minor or moderate injuries.
<b>IMPORTANT</b>	IMPORTANT indicates a potentially hazardous situation which, if not avoided, may result in damage to property or loss of product functionality.
<b>NOTE</b>	NOTE specifies the operating environment, conditions for installation, or special conditions of use.
	Tips icons indicate helpful hints and supplementary information.
	Electrical Hazard icons alert you to possible electrical shock.
	Fire Hazard icons alert you to the possibility of a fire.
	Hot Surface icons warn you not to touch hot machine parts.
	Prohibition icons indicate actions you must not perform.
<b>Bold</b>	Bold style identifies buttons on the machine's control panel or computer screen.
<i>Italics</i>	Italicized style emphasizes an important point or refers you to a related topic.
Courier New	Courier New font identifies messages shown on the machine's LCD.

### ✓ Related Information

- [Before You Use Your Machine](#)



## Notice - Disclaimer of Warranties (USA and Canada)

BROTHER'S LICENSOR(S), AND THEIR DIRECTORS, OFFICERS, EMPLOYEES OR AGENTS (COLLECTIVELY BROTHER'S LICENSOR) MAKE NO WARRANTIES, EXPRESS OR IMPLIED, INCLUDING WITHOUT LIMITATION THE IMPLIED WARRANTIES OF MERCHANTABILITY AND FITNESS FOR A PARTICULAR PURPOSE, REGARDING THE SOFTWARE. BROTHER'S LICENSOR(S) DOES NOT WARRANT, GUARANTEE OR MAKE ANY REPRESENTATIONS REGARDING THE USE OR THE RESULTS OF THE USE OF THE SOFTWARE IN TERMS OF ITS CORRECTNESS, ACCURACY, RELIABILITY, CURRENTNESS OR OTHERWISE. THE ENTIRE RISK AS TO THE RESULTS AND PERFORMANCE OF THE SOFTWARE IS ASSUMED BY YOU. THE EXCLUSION OF IMPLIED WARRANTIES IS NOT PERMITTED BY SOME STATES IN THE USA AND SOME PROVINCES IN CANADA. THE ABOVE EXCLUSION MAY NOT APPLY TO YOU.

IN NO EVENT WILL BROTHER'S LICENSOR(S) BE LIABLE TO YOU FOR ANY CONSEQUENTIAL, INCIDENTAL, OR INDIRECT DAMAGES (INCLUDING DAMAGES FOR LOSS OF BUSINESS PROFITS, BUSINESS INTERRUPTION, LOSS OF BUSINESS INFORMATION, AND THE LIKE) ARISING OUT OF THE USE OR INABILITY TO USE THE SOFTWARE EVEN IF BROTHER'S LICENSOR HAS BEEN ADVISED OF THE POSSIBILITY OF SUCH DAMAGES. BECAUSE SOME STATES IN THE USA AND SOME PROVINCES IN CANADA DO NOT ALLOW THE EXCLUSION OR LIMITATION OF LIABILITY FOR CONSEQUENTIAL OR INCIDENTAL DAMAGES, THE ABOVE LIMITATIONS MAY NOT APPLY TO YOU. IN ANY EVENT BROTHER'S LICENSOR'S LIABILITY TO YOU FOR ACTUAL DAMAGES FROM ANY CAUSE WHATSOEVER, AND REGARDLESS OF THE FORM OF THE ACTION (WHETHER IN CONTRACT, TORT (INCLUDING NEGLIGENCE), PRODUCT LIABILITY OR OTHERWISE), WILL BE LIMITED TO \$50.



### Related Information

- [Before You Use Your Machine](#)

## Trademarks

Apple, App Store, AirPrint, Mac, macOS, iPadOS, iPad, iPhone, iPod touch, and Safari are trademarks of Apple Inc., registered in the U.S. and other countries.

Kofax and Kofax PaperPort are trademarks or registered trademarks of Tungsten Automation or its affiliates in the United States and/or other countries.

Adobe®, Reader®, PostScript and PostScript 3 are either registered trademarks or trademarks of Adobe Systems Incorporated in the United States and/or other countries.

Wi-Fi®, Wi-Fi Alliance®, and Wi-Fi Direct® are registered trademarks of Wi-Fi Alliance®.

WPA™, WPA2™, WPA3™, Wi-Fi CERTIFIED™, and Wi-Fi Protected Setup™ are trademarks of Wi-Fi Alliance®.

Android, Google Drive, Google Play and ChromeOS™ are trademarks of Google LLC. Use of these trademarks is subject to Google Permissions.

Mopria™ and the Mopria™ Logo are registered and/or unregistered trademarks and service marks of Mopria Alliance, Inc. in the United States and other countries. Unauthorized use is strictly prohibited.

EVERNOTE is a trademark of Evernote Corporation and used under a license.

The Bluetooth® word mark is a registered trademark owned by Bluetooth SIG, Inc. and any use of such marks by Brother Industries, Ltd. is under license. Other trademarks and trade names are those of their respective owners.

QR Code is a registered trademark of DENSO WAVE INCORPORATED.

Linux® is the registered trademark of Linus Torvalds in the U.S. and other countries.

Each company whose software title is mentioned in this manual has a Software License Agreement specific to its proprietary programs.

### Software Trademarks

FlashFX® is a registered trademark of Datalight, Inc.

FlashFX® Pro™ is a trademark of Datalight, Inc.

FlashFX® Tera™ is a trademark of Datalight, Inc.

Reliance™ is a trademark of Datalight, Inc.

Reliance Nitro™ is a trademark of Datalight, Inc.

Datalight® is a registered trademark of Datalight, Inc.

**Any trade names and product names of companies appearing on Brother products, related documents and any other materials are all trademarks or registered trademarks of those respective companies.**



### Related Information

- [Before You Use Your Machine](#)

## Open Source Licensing

This product includes open source software.

To view Open Source Licensing Remarks and Copyright Information, go to your model's **Manuals** page at [support.brother.com/manuals](http://support.brother.com/manuals).



### Related Information

- [Before You Use Your Machine](#)
-

## Copyright and License

©2025 Brother Industries, Ltd. All rights reserved.

This product includes software developed by the following vendors:

This product includes the "KASAGO TCP/IP" software developed by ZUKEN ELMIC, Inc.

Copyright 1989-2020 Datalight, Inc., All Rights Reserved.

FlashFX® Copyright 1998-2020 Datalight, Inc.



### Related Information

- [Before You Use Your Machine](#)
-

## Important Notes

- Check [support.brother.com/downloads](https://support.brother.com/downloads) for Brother driver and software updates.
- To keep your machine performance up to date, check [support.brother.com/downloads](https://support.brother.com/downloads) for the latest firmware upgrade. Otherwise, some of your machine's functions may not be available.
- Do not use this product outside the country of purchase as it may violate the wireless telecommunication and power regulations of that country.
- Not all models are available in all countries.
- Before giving your machine to anyone else, replacing it, or disposing of it, we strongly recommend resetting it to its factory settings to remove all personal information.
- Windows 10 in this document represents Windows 10 Home, Windows 10 Pro, Windows 10 Education, and Windows 10 Enterprise.
- Windows 11 in this document represents Windows 11 Home, Windows 11 Pro, Windows 11 Education, and Windows 11 Enterprise.
- For macOS v15 Users:  
This machine supports macOS v15.  
For machine setup and software installation instructions, see the *Quick Setup Guide* included in the carton.  
All features in macOS v13 and macOS v14 are available in the macOS v15 environment and work in a similar way.
- In this User's Guide, the LCD messages of the MFC-L8730CDW/MFC-L8970CDW are used unless otherwise specified.
- In this User's Guide, the illustrations of the MFC-L8730CDW/MFC-L8970CDW are used unless otherwise specified.
- The screens or images in this User's Guide are for illustration purposes only and may differ from those of the actual products.
- The screens in this manual may differ from the screens on your computer depending on your operating system.
- The contents of this document and the specifications of this product are subject to change without notice.
- Not all features are available in countries subject to applicable export restrictions.



### Related Information

- [Before You Use Your Machine](#)

## Introduction to Your Machine

- [Before Using Your Machine](#)
- [Control Panel Overview](#)
- [Touchscreen LCD Overview](#)
- [How to Navigate the Touchscreen LCD](#)
- [How to Enter Text on Your Machine](#)
- [Set the Main Home Screen](#)
- [Customization of Your Machine](#)
- [Access Brother Utilities \(Windows\)](#)
- [Access Brother iPrint&Scan \(Windows/Mac\)](#)
- [Input/Output Port Locations on Your Machine](#)

## Before Using Your Machine

Before attempting any printing operation, confirm the following:

- Make sure you have installed the correct software and drivers for your machine.
- For USB or network cable users: Make sure the interface cable is physically secure.

### Simultaneous printing, scanning, and faxing

Your machine can print from your computer while sending or receiving a fax into memory or while scanning a document into the computer. Fax sending will not be stopped during printing from your computer. However, when the machine is copying or receiving a fax on paper, it pauses the printing operation, and then continues printing when copying or fax receiving has finished.



DCP models do not support the fax feature.

### Firewall (Windows)

If your computer is protected by a firewall and you are unable to network print, network scan, or PC-FAX, you may need to configure the firewall settings. If you are using the Windows Firewall and you installed the drivers using the steps in the installer, the necessary firewall settings have been already set. If you are using any other personal firewall software, see the User's Guide for your software or contact the software manufacturer.



### Related Information

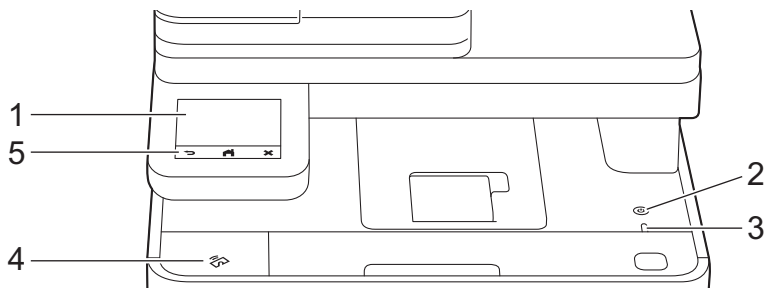
- [Introduction to Your Machine](#)

## Control Panel Overview

>> [DCP-L8630CDW/MFC-L8730CDW](#)  
>> [MFC-L8930CDW/MFC-L8970CDW/MFC-EX575](#)

### DCP-L8630CDW/MFC-L8730CDW



The control panel may vary depending on your model.



#### 1. Touchscreen Liquid Crystal Display (LCD)

Access menus and options by pressing them on the touchscreen.

#### 2. Power On/Off

- Turn on the machine by pressing .
- Turn off the machine by holding down . The LCD displays [Shutting Down] for a few seconds before the machine turns off. If you have an external telephone or TAD connected, it is still available.

#### 3. LED Power Indicator

The LED lights up depending on the machine's power status.

#### 4. Near Field Communication (NFC) Reader (MFC-L8730CDW)

Use card authentication, if applicable, by touching your Integrated Circuit Card (IC Card) to the NFC symbol on the machine.

#### 5. Touchpanel



Press to go back to the previous menu.



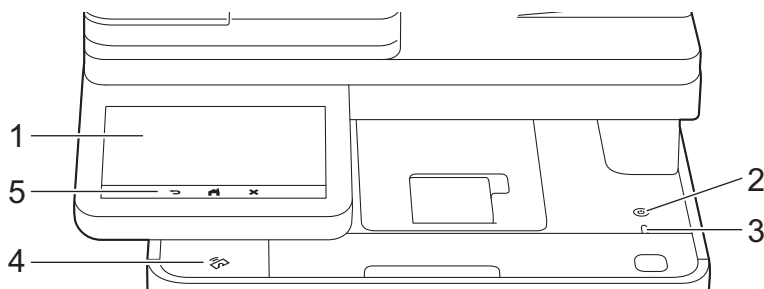
Press to return to the Main Home screen.



Press to cancel an operation.

### MFC-L8930CDW/MFC-L8970CDW/MFC-EX575

The control panel may vary depending on your model.







---

## 1. Touchscreen Liquid Crystal Display (LCD)

Access menus and options by pressing them on the touchscreen.

## 2. Power On/Off

- Turn on the machine by pressing .
- Turn off the machine by holding down . The LCD displays [Shutting Down] for a few seconds before the machine turns off. If you have an external telephone or TAD connected, it is still available.

## 3. LED Power Indicator

The LED lights up depending on the machine's power status.

## 4. Near Field Communication (NFC) Reader (MFC-L8930CDW/MFC-L8970CDW/MFC-EX575)

Use card authentication, if applicable, by touching your Integrated Circuit Card (IC Card) to the NFC symbol on the machine.

## 5. Touchpanel



Press to go back to the previous menu.



Press to return to the Main Home screen.



Press to cancel an operation.

---

## Related Information

- [Introduction to Your Machine](#)

### Related Topics:

- [Customization of Your Machine](#)
-

## Touchscreen LCD Overview

>> [DCP-L8630CDW/MFC-L8730CDW](#)

>> [MFC-L8930CDW/MFC-L8970CDW/MFC-EX575](#)

### DCP-L8630CDW/MFC-L8730CDW

You can select from two types of screens to set as the Main Home screen: Home screens and Shortcuts screens. When a Home screen is displayed, swipe left or right or press ◀ or ▶ to display the other Home screens.

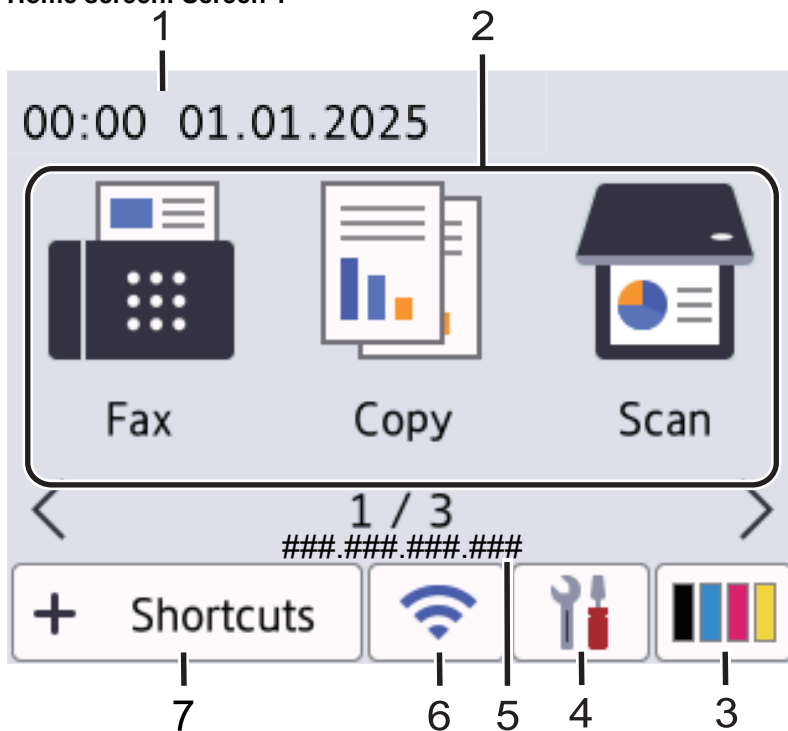
The Main Home screen displays the machine's status when the machine is idle. When displayed, this screen indicates that your machine is ready for the next command.

If Active Directory Authentication or LDAP Authentication is enabled, the machine's control panel is locked.

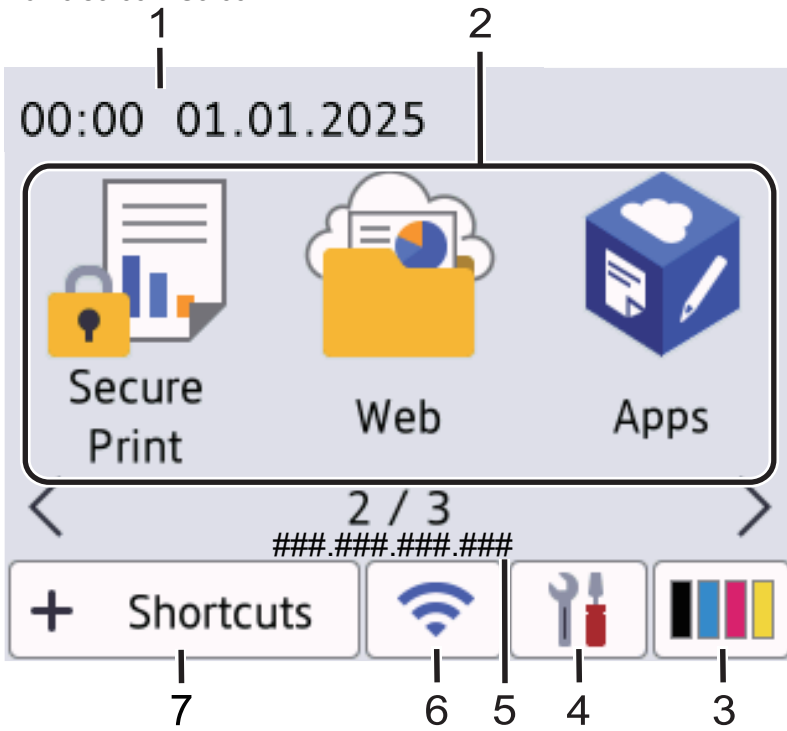
The available features vary depending on your model.

From the Home screens, you can access the various settings.

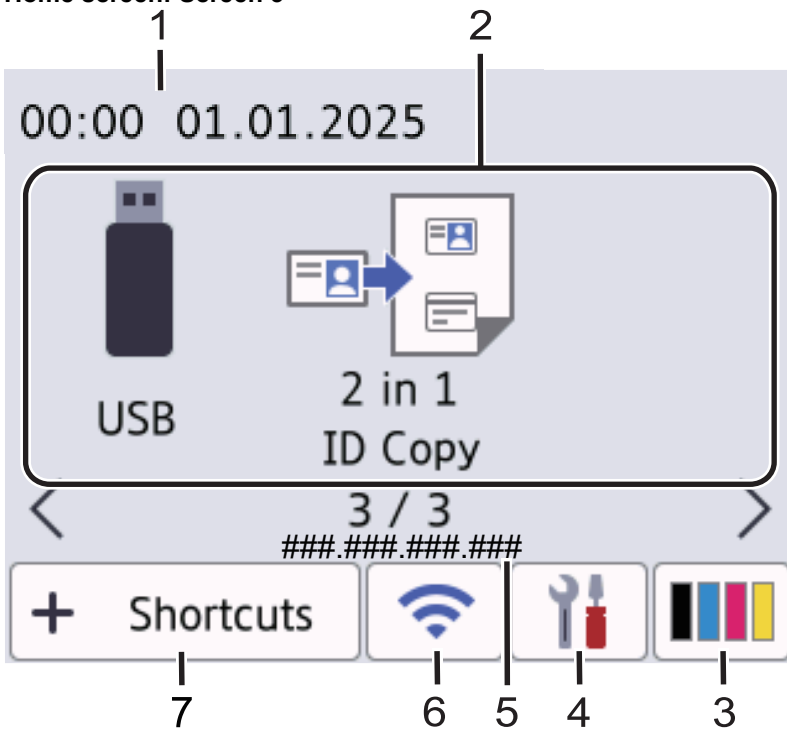
Home screen: Screen 1



Home screen: Screen 2



Home screen: Screen 3

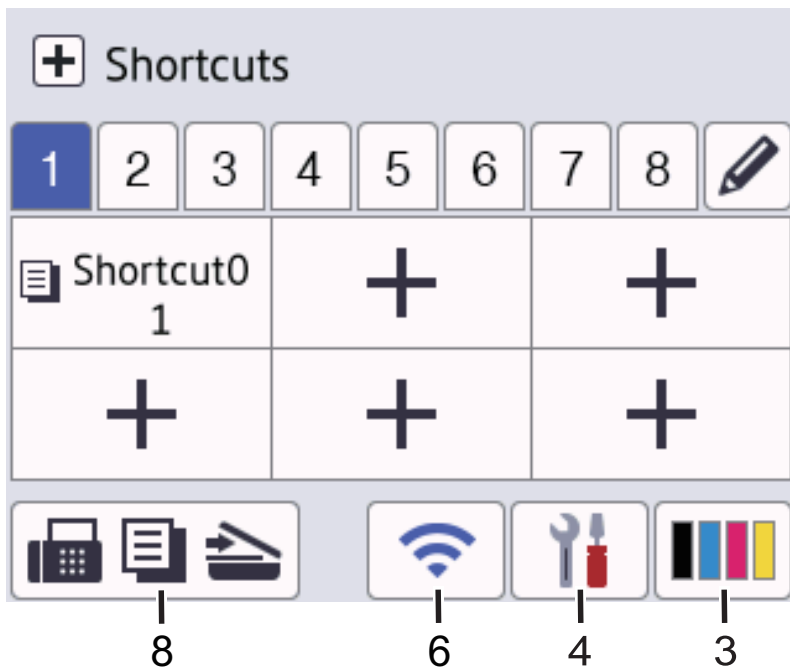


### Shortcuts screen

Create Shortcuts for frequently used operations, such as sending a fax, copying, scanning, and using Web Connect.











Eight Shortcuts tabs are available with six Shortcuts on each Shortcuts tab. A total of 48 Shortcuts are available.



### 1. Date & Time

Displays the date and time set on the machine.

### 2. Function Icons

-  **[Fax]** (For MFC Models)  
Press to access Fax mode.
-  **[Copy]**  
Press to access Copy mode.
-  **[Scan]**  
Press to access Scan mode.
-  **[Secure Print]**  
Press to access the [Secure Print] option.
-  **[Web]**  
Press to connect your machine to an Internet service.
-  **[Apps]**  
Press to connect your machine to the Brother Apps service.
-  **[USB]**  
Press to access the USB menu and select [Scan to USB] or [Direct Print] options.
-  **[2 in 1 ID Copy]**  
Press to access the 2 in 1 ID Copy option.

### 3. (Toner)

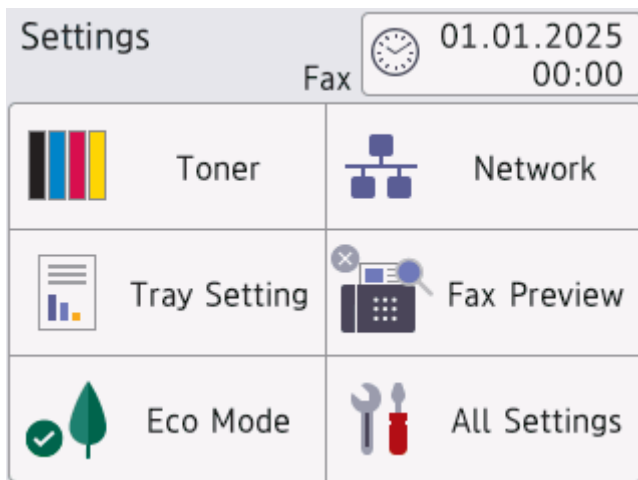
Displays the remaining toner life. Press to access the [Toner] menu.






### 4. (Settings)

Press to access the [Settings] menu.



If the Setting Lock function has been turned on, a lock  icon appears on the LCD. You must unlock the machine to change the settings.



-  **Toner**
  - Displays the remaining toner life.
  - Press to access the [Toner] menu.
-  **Network**
  - Press to set up a network connection.
  - A four level indicator on the screen displays the current wireless signal strength if you are using a wireless connection.
-  **Fax Preview** (For MFC Models)  
Press to access the [Fax Preview] menu.
-  **Wi-Fi Direct** (For DCP Models)  
Press to access the [Wi-Fi Direct] menu.
-  **Tray Setting**  
Press to access the [Tray Setting] menu.
-  **Eco Mode**  
Press to access the [Eco Mode] menu.
-  **All Settings**  
Press to access all machine settings.
-  **Date & Time**
  - Displays the date and time set on the machine.
  - Press to access the [Date & Time] menu.

## 5. IP Address


If the IP Address setting in the Display Information menu has been turned on, your machine's IP Address appears on the Home screens.

6.  **(Wireless Status)**

Press to configure wireless settings.

If you are using a wireless connection, a four-level indicator displays the current wireless signal strength.



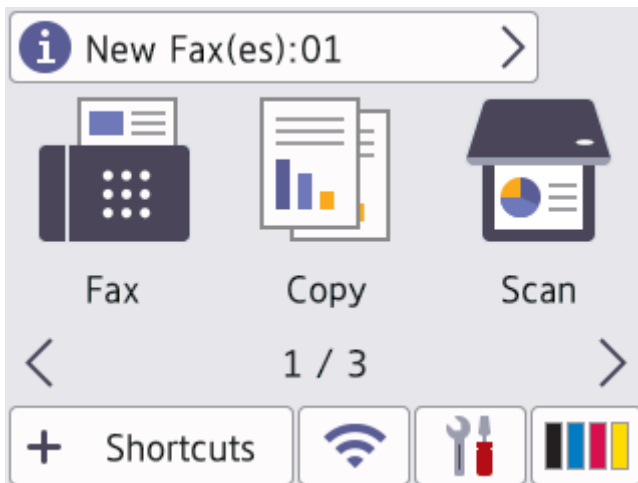
7.  **[Shortcuts]**

Press to access the [Shortcuts] screen.

8.  **(Home screen)**

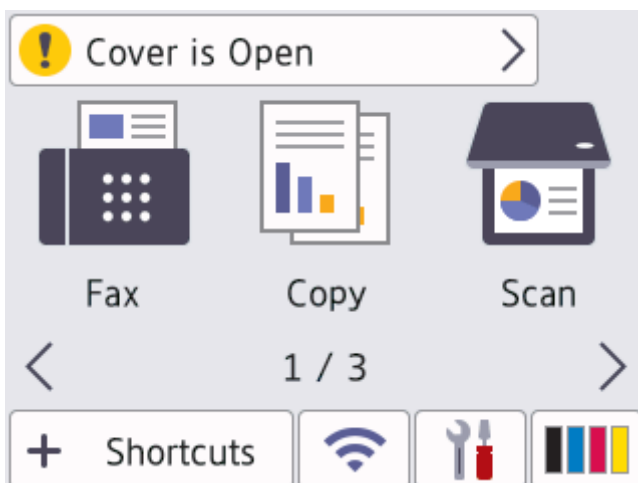
Press to access the Home screens.



- **New Fax (For MFC Models)**



When [Fax Preview] is set to [On], the number of new faxes you received into the memory appears at the top of the screen.

- **Warning Icon**



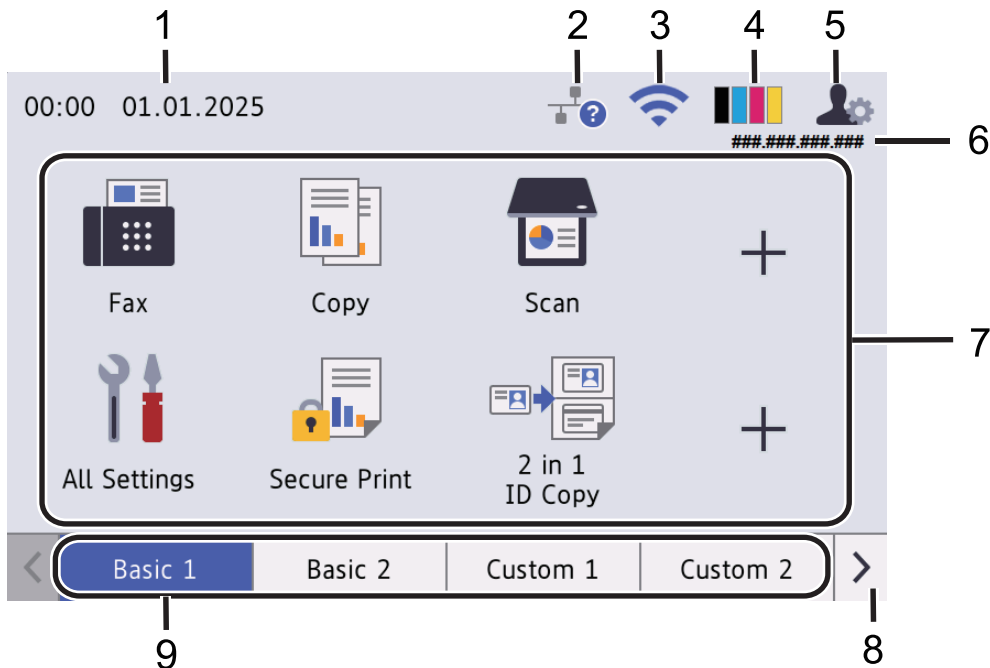
The warning icon  appears when there is an error or maintenance message. Press the message area to view it, and then press  to return to the Main Home screen.

## MFC-L8930CDW/MFC-L8970CDW/MFC-EX575

Your machine has eight tabbed screens (referred to as Home screens). Each Home screen can hold up to eight icons which can be used for functions, machine settings and shortcuts. A total of 64 icons can be placed on the Home screens as needed.

The Main Home screen can be selected from the Home screens.

Use the [Admin Settings] menu to rename the name of the tabs and rearrange the icons.



### 1. **Date & Time**

Displays the date and time set on the machine.

This area is also used to display error or maintenance messages.

### 2. **(Wired LAN Status)**

Press to configure the Wired LAN settings.

The icon displays the current wired network status.



Wired LAN Disabled  
(Gray)



Wired LAN Enabled  
(Blue)



No cable connection

### 3. **(Wireless Status)**

Press to configure the wireless settings.

If you are using a wireless connection, a four-level indicator displays the current wireless signal strength.



0



Max



Wireless LAN Disabled

### 4. **(Toner)**

Displays the remaining toner life. Press to access the [Toner] menu.

---

## 5. (Admin Settings)

Press to access the [Admin Settings] menu.














If required, enter the password you use to manage this machine, and then press [OK].

## 6. IP Address

If the IP Address setting in the Display Information menu has been turned on, your machine's IP Address appears on the Home screens.

## 7. Function Icons, Setting Icons, and Shortcut Icons

The following descriptions explain basic icons and features. The available features vary depending on your model.

-  [All Settings]  
Press to access the machine's settings menu.
-  [Fax]  
Press to access Fax mode.
-  [Copy]  
Press to access Copy mode.
-  [Scan]  
Press to access Scan mode.
-  [Secure Print]  
Press to access the [Secure Print] option.
-  [USB]  
Press to access the USB menu and select [Scan to USB] or [Direct Print] options.
-  [Web]  
Press to connect your machine to an Internet service.
-  [Apps]  
Press to connect your machine to the Brother Apps service.
-  [2 in 1 ID Copy]  
Press to access the 2 in 1 ID Copy option.
-  [Eco Mode]  
Press to access the [Eco Mode] menu.
-  (Shortcuts)  
Press to create Shortcuts for frequently-used operations, such as sending a fax, copying, scanning, and using Web Connect.

## 8. Tabs Scroll Buttons

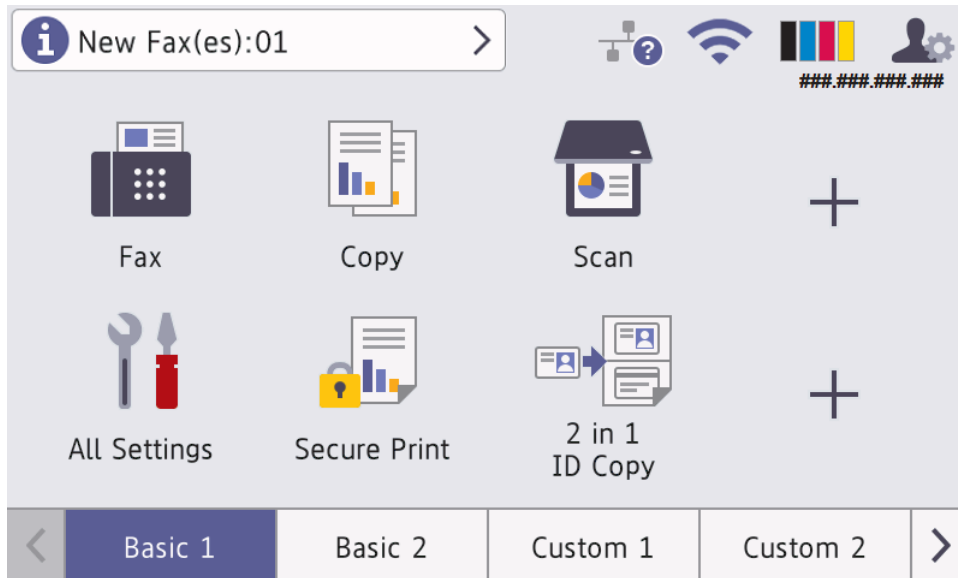
Press to switch the Home screens.

## 9. Home Tabs

Press to display the screen for the Home.

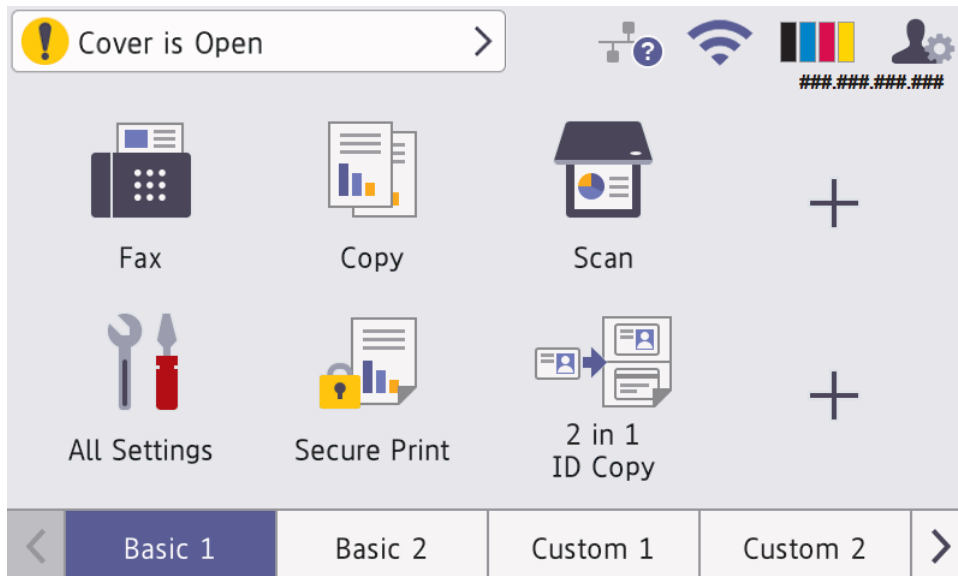




- **New Fax**



When [Fax Preview] is set to [On], the number of new faxes you received into the memory appears at the top of the screen.

- **Warning icon**



The warning icon  appears when there is an error or maintenance message. Press the message area to view it, and then press  to return to the Main Home screen.

## Related Information

- [Introduction to Your Machine](#)

## How to Navigate the Touchscreen LCD

Press your finger on the LCD to operate it. To display and access all the options, swipe left, right, up, and down, or press ◀, ▶, ▲, or ▼ on the LCD to scroll through them.

### IMPORTANT

DO NOT press the LCD with a sharp object, such as a pen or stylus. It may damage the machine.

### NOTE

DO NOT touch the LCD immediately after plugging in the power cord or turning on the machine. Doing this may cause an error.



This product uses fonts owned by ARPHIC TECHNOLOGY CO., LTD.

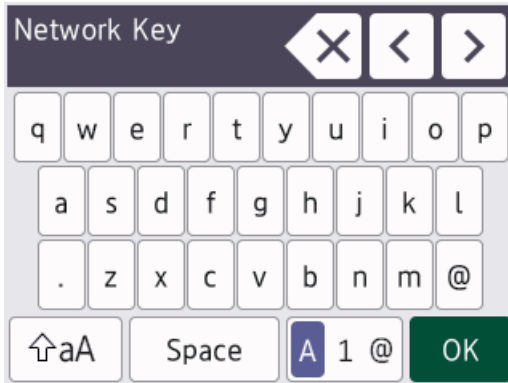



### Related Information

- [Introduction to Your Machine](#)

## How to Enter Text on Your Machine

- When you must enter text on your machine, a keyboard appears on the LCD.
- The characters that are available may differ depending on your country.
- The keyboard layout may differ depending on the operation you perform.
- The keyboard display may differ depending on your model.



- (DCP-L8630CDW/MFC-L8730CDW) Press to cycle between letters, numbers, and special characters.
- (MFC-L8930CDW/MFC-L8970CDW/MFC-EX575) Press  to select letters, numbers, and special characters.
- Press to cycle between lowercase and uppercase letters.
- To move the cursor to the left or right, press ◀ or ▶.

### Inserting spaces

- To enter a space, press [Space] or ▶.

### Making corrections

- If you entered a character incorrectly and want to change it, press ◀ or ▶ to move the cursor to the incorrect character, and then press . Enter the correct character.
- To insert a character, press ◀ or ▶ to move the cursor to the correct place, and then enter the character.
- Press for each character you want to erase, or press and hold to erase all the characters.


### ✓ Related Information



- [Introduction to Your Machine](#)

## Set the Main Home Screen

**Related Models:** DCP-L8630CDW/MFC-L8730CDW

You can change the LCD to display a specific Home screen or Shortcut screen.

When the machine is idle or you press , the touchscreen will return to the screen you set.

1. Press  [Settings] > [All Settings] > [General Setup] > [Screen Settings] > [Home Screen].
2. Swipe up or down or press ▲ or ▼ to display the screen settings, and then press the setting you want.
3. Press .

The LCD displays the screen you selected. You can change this main screen as needed.



### Related Information

- [Introduction to Your Machine](#)

## Customization of Your Machine

**Related Models:** MFC-L8930CDW/MFC-L8970CDW/MFC-EX575

The [Admin Settings] menu allows you to rename the Home screens and rearrange the icons.

The [Home Screen Settings] menu and the [Other Screen Settings] menu provide the following functions:

- Renaming Home screen tabs
- Adding, removing, and repositioning icons on Home screens
- Setting your Main Home screen
- Selecting screen background color
- Selecting whether to display your machine's IP Address on the Home screens
- Changing the default functions for the Copy screen and the Scan screen

The [Admin Settings] menu allows you to manage permissions and restrictions.

The [Restriction Management] menu provides the following functions:

- User Restriction
  - Secure Function Lock
  - Active Directory Authentication
  - LDAP Authentication
- Setting Lock

For more information, see *Related Information*.



### Related Information



- [Introduction to Your Machine](#)

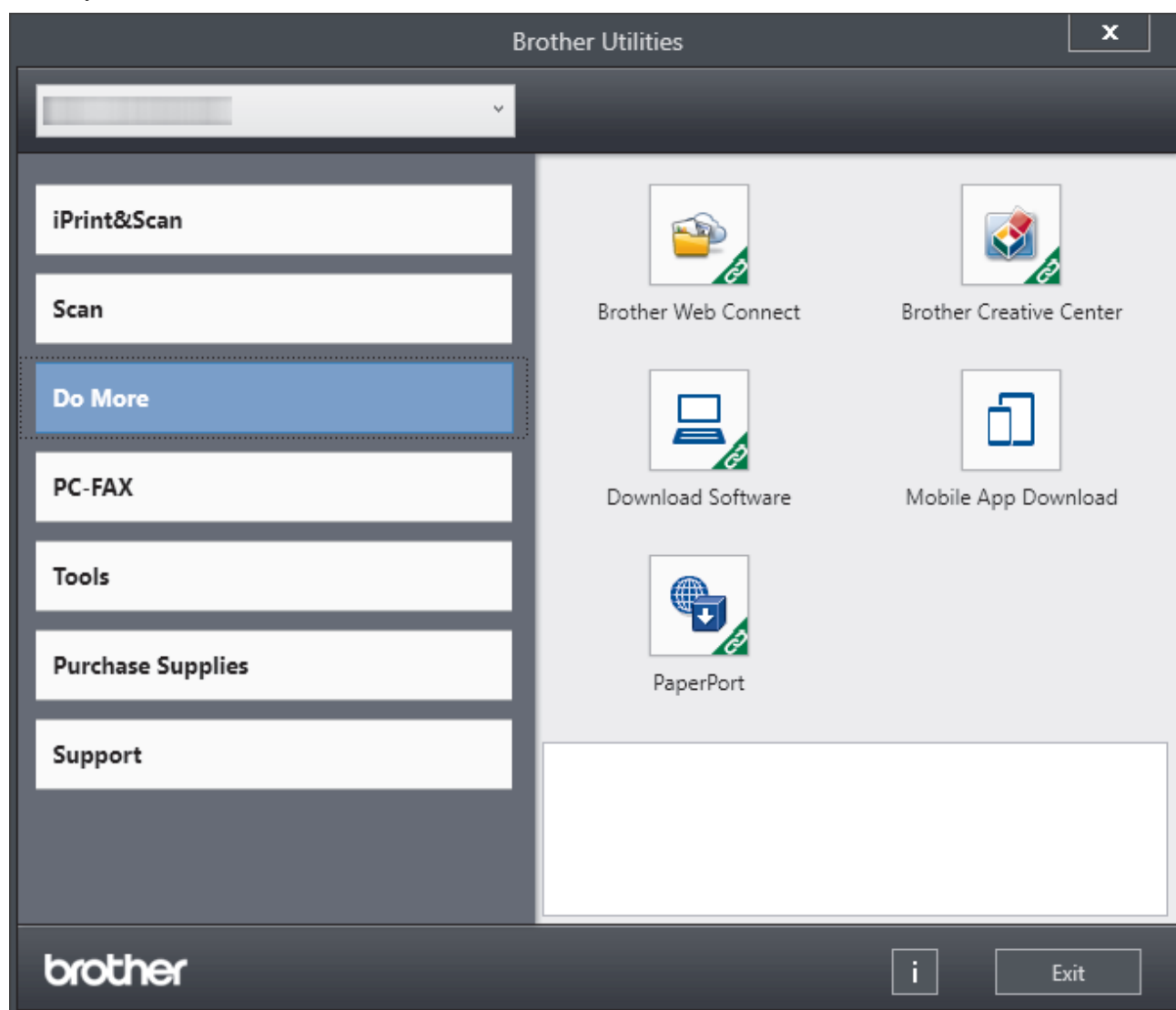
#### Related Topics:

- [Security](#)
- [Lock the Machine Settings](#)
- [Control Panel Overview](#)

## Access Brother Utilities (Windows)

**Brother Utilities** is an application launcher that offers convenient access to all Brother applications installed on your computer.

1. Do one of the following:
  - (Windows 11)  
Click  > **All apps** > **Brother** > **Brother Utilities**.
  - (Windows 10)  
Click  > **Brother** > **Brother Utilities**.
2. Select your machine.





3. Choose the option you want.

### Related Information

- [Introduction to Your Machine](#)
  - [Uninstall the Software and Drivers \(Windows\)](#)

## Uninstall the Software and Drivers (Windows)

1. Do one of the following:
  - Windows 11  
Click  > **All apps** > **Brother** > **Brother Utilities**.
  - Windows 10  
Click  > **Brother** > **Brother Utilities**.
2. Select your model from the drop-down list (if it is not already selected).
3. Click **Tools** in the left navigation bar.
  - If the **Software Update Notification** icon is visible, select it, and then click **Check now** > **Check for Software Updates** > **Update**. Follow the on-screen instructions.
  - If the **Software Update Notification** icon is not visible, go to the next step.
4. Click **Uninstall** in the **Tools** section of **Brother Utilities**.  
Follow the instructions in the dialog box to uninstall the software and drivers.



### Related Information

- [Access Brother Utilities \(Windows\)](#)

## Access Brother iPrint&Scan (Windows/Mac)

Use Brother iPrint&Scan for Windows and Mac to print and scan from your computer.

- This function is not available in countries subject to applicable export regulations.
  - **To download the latest version:**
    - For Windows:  
Go to your model's **Downloads** page at [support.brother.com/downloads](http://support.brother.com/downloads), and then download and install Brother iPrint&Scan.
    - For Mac:  
Download and install Brother iPrint&Scan from the Apple App Store.
- If prompted, install the driver and software necessary to use your machine. Download your machine's latest driver and software from your model's **Downloads** page at [support.brother.com/downloads](http://support.brother.com/downloads).

### 1. Start Brother iPrint&Scan.

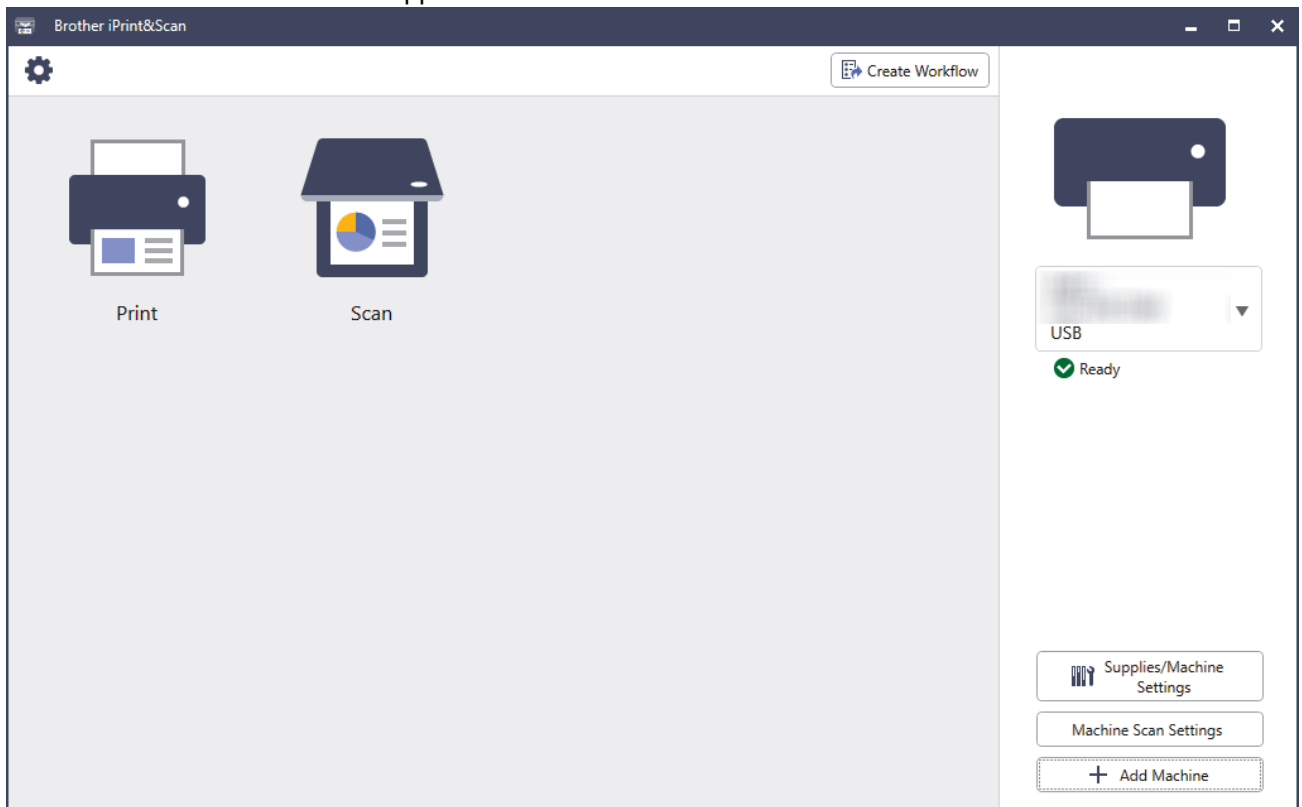
- Windows

Double-click the  (Brother iPrint&Scan) icon.

- Mac

In the **Finder** menu bar, click **Go > Applications**, and then double-click the iPrint&Scan icon.

The Brother iPrint&Scan screen appears.



The actual screen may differ depending on the version of the application.

### ✓ Related Information

- [Introduction to Your Machine](#)

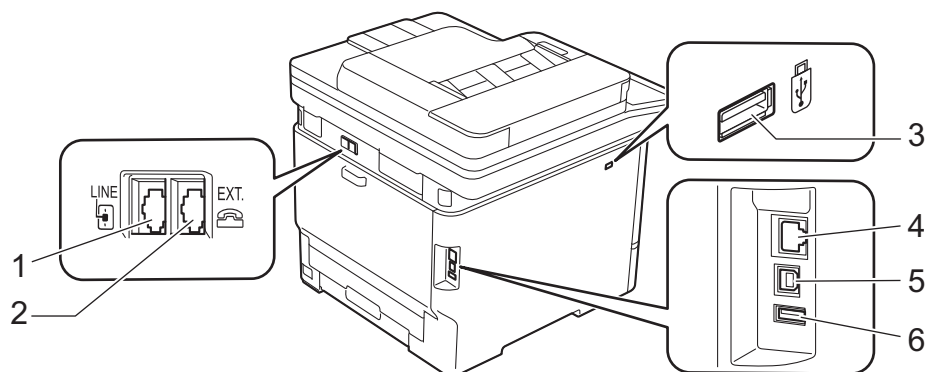
#### Related Topics:

- [Brother Mobile Connect](#)
- [Scan Using Brother iPrint&Scan \(Windows/Mac\)](#)



## Input/Output Port Locations on Your Machine

The ports are located on the front or back of the machine.



1. LINE jack (For MFC models)
2. EXT. jack (For MFC models)
3. USB accessory port (Front)
4. 10BASE-T / 100BASE-TX / 1000BASE-T port (For network models)
5. USB port
6. USB accessory port (Rear)  
(MFC-L8970CDW/MFC-EX575)

When connecting the USB or network cable, follow the instructions in the software/driver installer.

To install the necessary driver and software for operating your machine, go to your model's **Downloads** page at [support.brother.com/downloads](http://support.brother.com/downloads).



### Related Information

- [Introduction to Your Machine](#)

## Paper Handling

- [Load Paper](#)
- [Paper Settings](#)
- [Recommended Print Media](#)
- [Load Documents](#)
- [Unscannable and Unprintable Areas](#)
- [Using Special Paper](#)

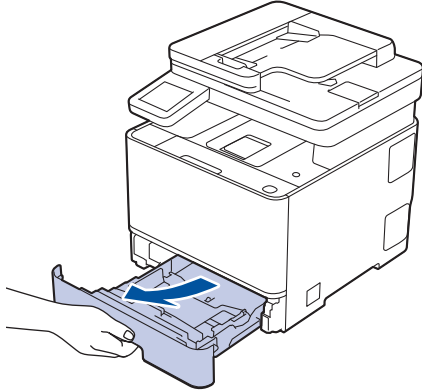
## Load Paper

- [Load Paper in the Paper Tray](#)
- [Load Paper in the Multi-purpose Tray \(MP Tray\)](#)
- [Load and Print Labels Using the MP Tray](#)
- [Load and Print Envelopes Using the MP Tray](#)

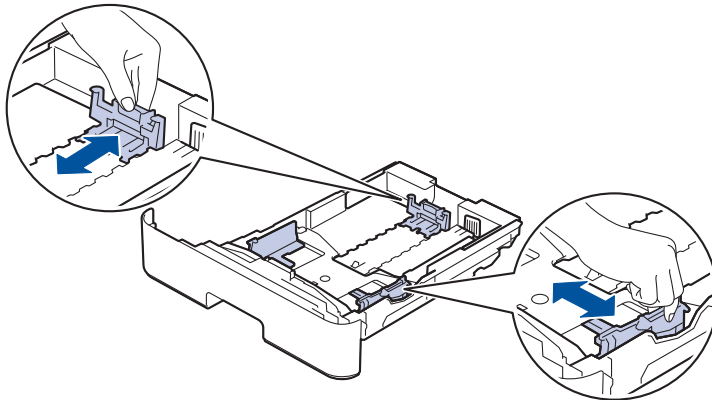
## Load Paper in the Paper Tray


- If, when the Check Paper setting is set to On and you pull the paper tray out of the machine, a message appears on the LCD asking if you want to change the paper size and paper type, change these settings, if needed, following the LCD instructions.
- When you load a different size and type of paper in the tray, you must also change the Paper Size and Paper Type settings on the machine, or on your computer.

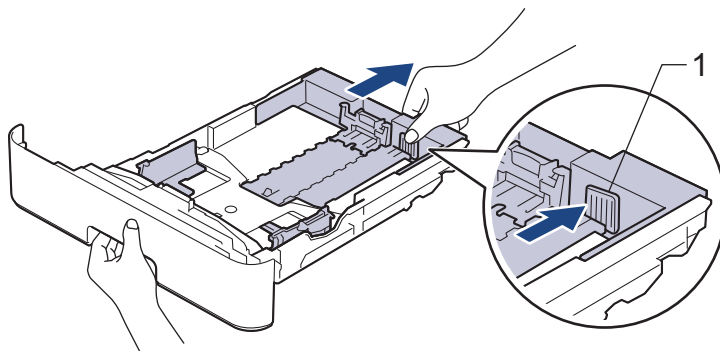
1. Pull the paper tray completely out of the machine.




2. Press the green levers to slide the paper guides to fit the paper.



-  For Legal or Folio size paper, press the release lever (1) in the back of the tray, and then pull out the back of the paper tray. (Legal and Folio size paper are not available in some regions.)

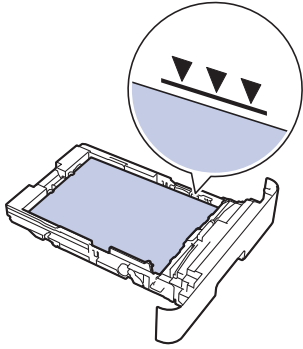


3. Fan the stack of paper well.
4. Load paper in the paper tray with the printing surface *face down*.

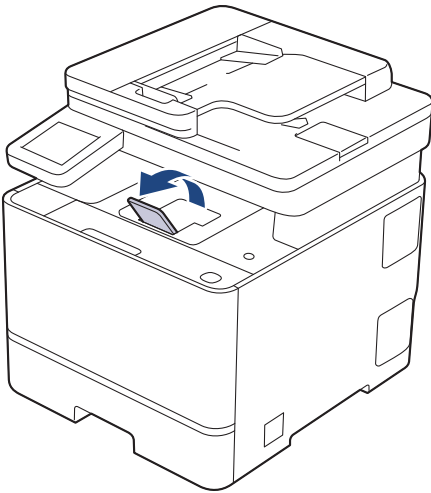
-  When you use letterhead or preprinted paper, load the paper in the correct orientation. See *Related Information: Change Machine Settings to Print on Letterhead or Preprinted Paper Using the Paper Tray*.

- 
5. Make sure the paper is below the maximum paper mark (▼▼▼).

Overfilling the paper tray will cause paper jams.



6. Slowly push the paper tray completely into the machine.
7. Lift the support flap to prevent paper from sliding off the output tray.



### Related Information

- [Load Paper](#)
    - [Change Machine Settings to Print on Letterhead or Preprinted Paper Using the Paper Tray](#)
-

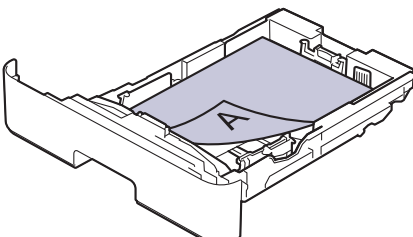
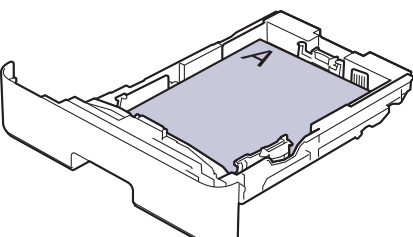
## Change Machine Settings to Print on Letterhead or Preprinted Paper Using the Paper Tray


When you use letterhead or preprinted paper for 2-sided printing, change the machine's settings.



- DO NOT load different sizes and types of paper in the paper tray at the same time. Doing this may cause the paper to jam or misfeed.
- If the print position is misaligned with the letterhead or preprinted objects, the print position is adjustable using the Print Position setting for the paper tray.
- Some preprinted paper may cause print stains, depending on the printing method and ink type.


### Orientation

	<p>For 1-sided printing</p> <ul style="list-style-type: none"><li>• face down</li><li>• top edge toward the front of the paper tray</li></ul>
	<p>For automatic 2-sided printing (long edge binding)</p> <ul style="list-style-type: none"><li>• face up</li><li>• bottom edge toward the front of the paper tray</li></ul>

1. Press  [Settings] > [All Settings] > [Printer] > [2-sided] > [Single Image] > [2-sided Feed].



If your machine displays the [All Settings] menu on the Home screen, skip the [Settings] menu.

2. Press .



### Related Information

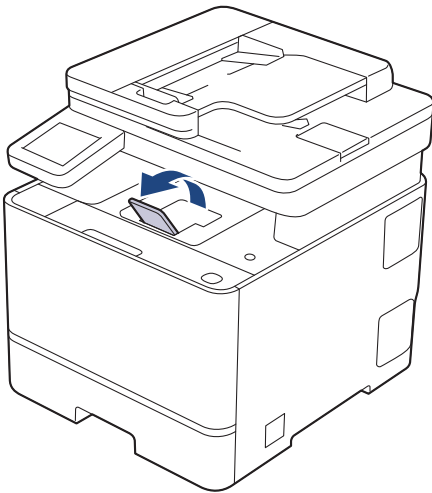
- [Load Paper in the Paper Tray](#)

## Load Paper in the Multi-purpose Tray (MP Tray)

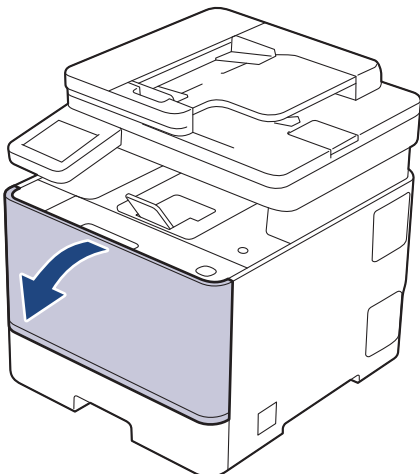
When you load a different size and type of paper in the tray, you must also change the Paper Size and Paper Type settings on the machine, or on your computer.

- Plain Paper
- Letterhead
- Colored Paper
- Thin Paper
- Thick Paper
- Recycled Paper
- Bond Paper
- Glossy Paper

1. Lift the support flap to prevent paper from sliding off the face down output tray.

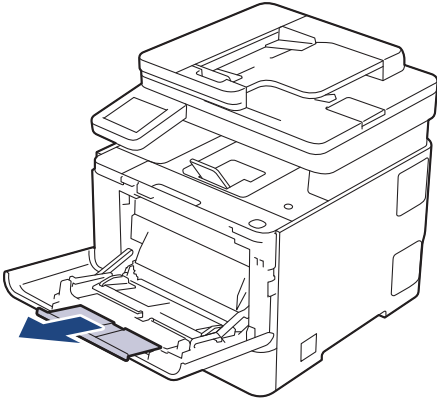


2. Open the MP tray and lower it gently.

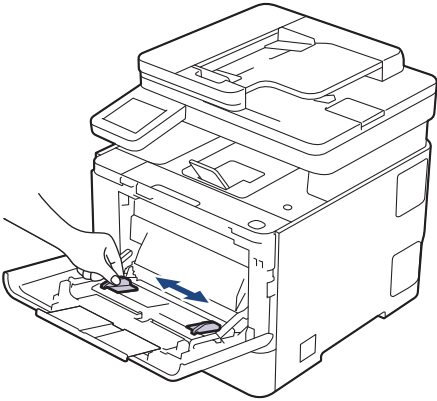


---

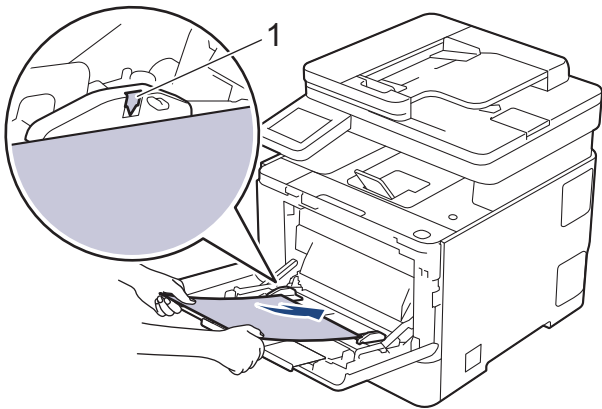
3. Extend the MP tray support.



4. Slide the MP tray paper guides to fit the width of the paper you are using.



5. Load paper with the printing surface *face up* in the MP tray.



- Make sure the paper is below the maximum paper mark (1).
- When using glossy paper, load only one sheet at a time in the MP tray to avoid a paper jam.
- When you use letterhead or preprinted paper, load the paper in the correct orientation. See *Related Information: Change Machine Settings to Print on Letterhead or Preprinted Paper Using the MP Tray*.



### Related Information

- [Load Paper](#)
  - [Change Machine Settings to Print on Letterhead or Preprinted Paper Using the MP Tray](#)



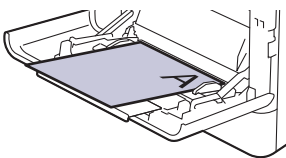
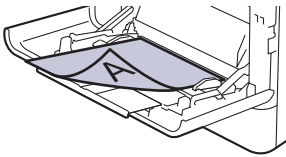
## Change Machine Settings to Print on Letterhead or Preprinted Paper Using the MP Tray


When you use letterhead or preprinted paper for 2-sided printing, change the machine's settings.



- DO NOT load different sizes and types of paper in the paper tray at the same time. Doing this may cause the paper to jam or misfeed.
- If the print position is misaligned with the letterhead or preprinted objects, the print position is adjustable using the Print Position setting for the MP tray.
- Some preprinted paper may cause print stains, depending on the printing method and ink type.


### Orientation

	For 1-sided printing <ul style="list-style-type: none"><li>• face up</li><li>• top edge first</li></ul>
	For automatic 2-sided printing (long edge binding) <ul style="list-style-type: none"><li>• face down</li><li>• bottom edge first</li></ul>

1. Press  [Settings] > [All Settings] > [Printer] > [2-sided] > [Single Image] > [2-sided Feed].



If your machine displays the [All Settings] menu on the Home screen, skip the [Settings] menu.

2. Press .



### Related Information

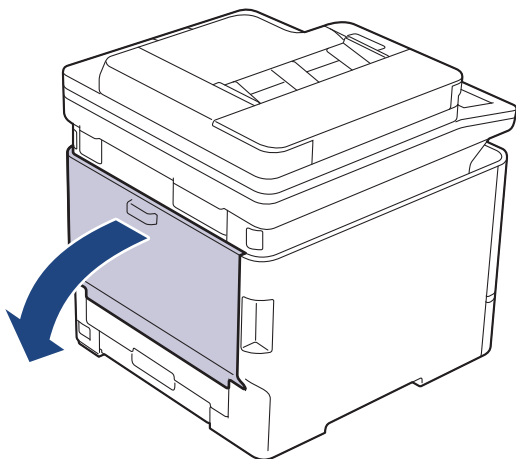
- [Load Paper in the Multi-purpose Tray \(MP Tray\)](#)

## Load and Print Labels Using the MP Tray

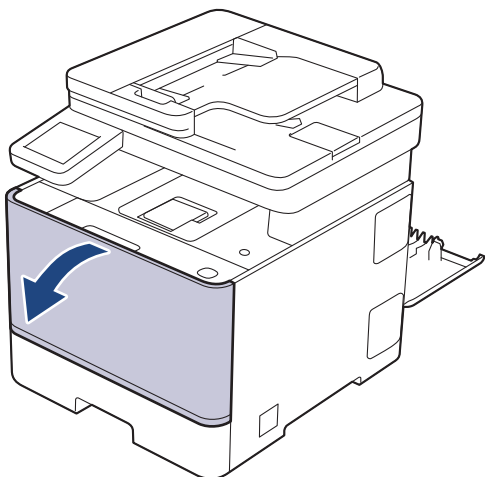
When you print on labels, open the back cover (face up output tray) and use the MP tray.

When you load a different size and type of paper in the tray, you must also change the Paper Size and Paper Type settings on the machine, or on your computer.

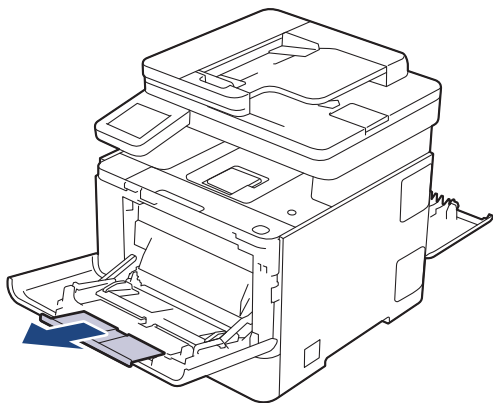
1. Open the machine's back cover (the face up output tray).



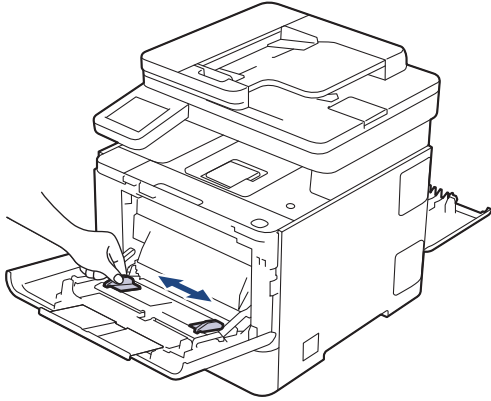
2. On the front of the machine, open the MP tray and lower it gently.



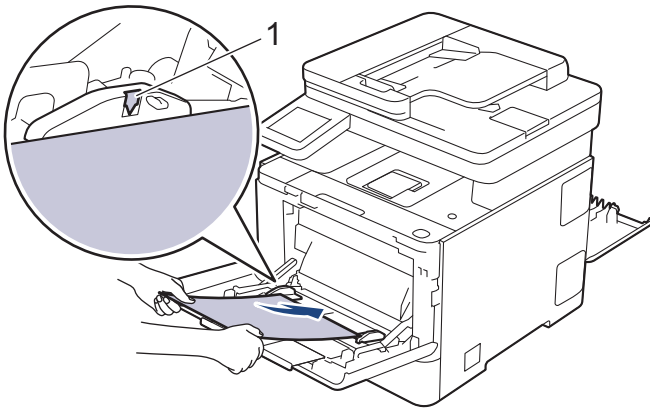
3. Extend the MP tray support.



- 
- Slide the MP tray paper guides to fit the width of the labels you are using.



- Load labels with the printing surface *face up* in the MP tray.



Make sure the labels are below the maximum paper mark (1).

- Change your print preferences in the Print screen.
- Send your print job to the machine.
- When finished, close the back cover (the face up output tray) until it locks in the closed position.

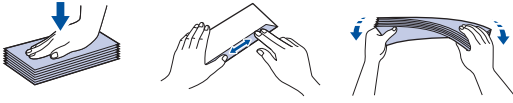


### Related Information

- [Load Paper](#)

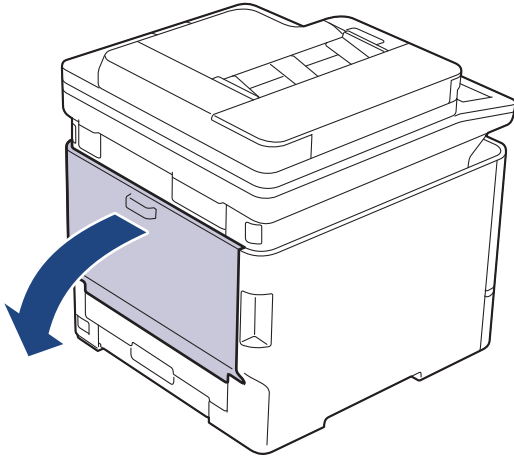
## Load and Print Envelopes Using the MP Tray

Before loading, press the corners and sides of the envelopes to make them as flat as possible.

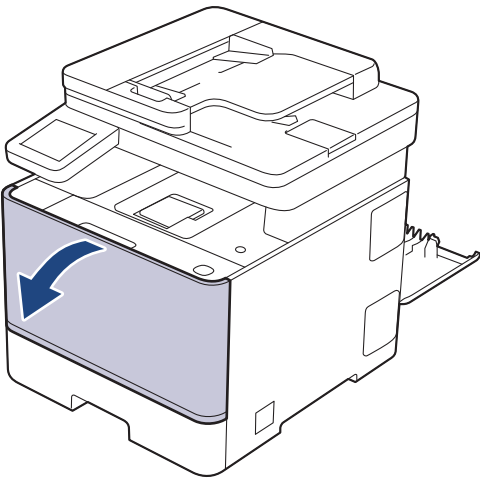


When you load a different size and type of paper in the tray, you must also change the Paper Size and Paper Type settings on the machine, or on your computer.

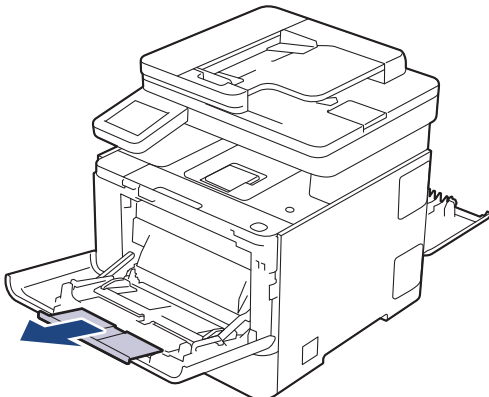
1. Open the machine's back cover (the face up output tray).



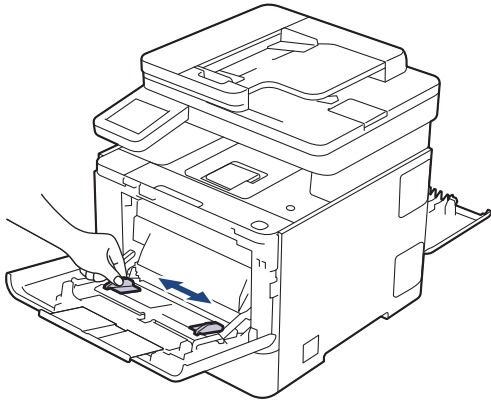
2. On the front of the machine, open the MP tray and lower it gently.



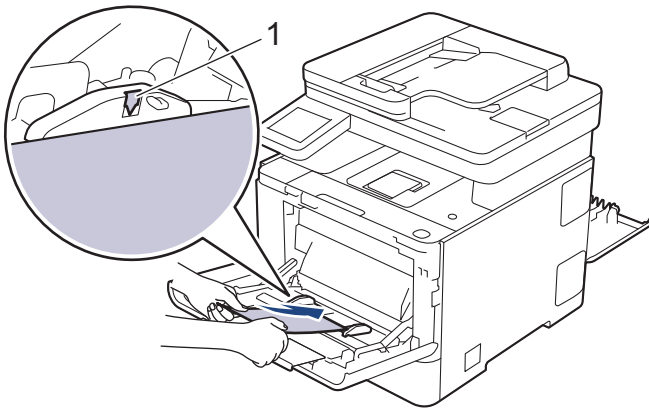
3. Extend the MP tray support.



- 
4. Slide the MP tray paper guides to fit the width of the envelopes that you are using.



5. Load envelopes with the printing surface *face up* in the MP tray.



---

Load the envelopes in the MP tray with the printing surface face up. Make sure the envelopes are below the maximum paper mark (1).

---

6. Change your print preferences in the Print dialog box.

Settings	Options for Envelopes
Paper Size	Com-10 DL C5 Monarch
Media Type	Envelopes Env. Thick Env. Thin

7. Send your print job to the machine.  
8. When finished, close the back cover (the face up output tray) until it locks in the closed position.



### Related Information


- [Load Paper](#)
  - [Print](#)
-

## Paper Settings

- [Change the Paper Size and Paper Type](#)
- [Select the Paper Tray For Printing](#)
- [Change the Check Paper Setting](#)



## Change the Paper Size and Paper Type

When you change the size and type of paper you load in the tray, you must also change the Paper Size and Paper Type settings on the LCD.

1. Press  [Settings] > [All Settings] > [General Setup] > [Tray Setting] > [Paper Type].



If your machine displays the [All Settings] menu on the Home screen, skip the [Settings] menu.

2. Press the option you want.
3. Swipe up or down or press ▲ or ▼ to display the paper type options, and then press the option you want.
4. Press .
5. Press [Paper Size].
6. Press the option you want.
7. Swipe up or down or press ▲ or ▼ to display the paper size options, and then press the option you want.
8. Press .



### Related Information

- [Paper Settings](#)

## Select the Paper Tray For Printing

Change the machine's default paper tray for printing copies, received faxes, and print jobs from your computer.




DCP models do not support the fax feature.

1. Press  [Settings] > [All Settings] > [General Setup] > [Tray Setting].



If your machine displays the [All Settings] menu on the Home screen, skip the [Settings] menu.

2. Swipe up or down or press ▲ or ▼ to display the [Copy], [Fax], or [Print] option, and then press the option you want.
3. Swipe up or down or press ▲ or ▼ to display the option you want, and then press it. For example, when you select the [MP>T1] option, the machine pulls paper from the MP tray until it is empty, and then from Tray 1.
4. Press .



- When you make a copy using the ADF and give priority to multiple trays, the machine looks for the tray with the most suitable paper and pulls paper from that tray.
- When you make a copy using the scanner glass, your document is copied from the higher priority tray even if more suitable paper is in another paper tray.
- (For models with facsimile function) Use the following sizes of paper for printing faxes: Letter, A4, Legal, Folio, Mexico Legal, or India Legal. When an appropriate size is not in any of the trays, the machine stores received faxes and [Size Mismatch] appears on the touchscreen.
- (For models with facsimile function) If the tray is out of paper and received faxes are in the machine's memory, [No Paper] appears on the touchscreen. Load paper in the empty tray.



### Related Information


- [Paper Settings](#)



## Change the Check Paper Setting


When the Check Paper setting is set to On and you pull the paper tray out of the machine, or load paper in the MP tray, a message appears on the LCD asking if you want to change the paper size and paper type.

The default setting is On.

1. Press  [Settings] > [All Settings] > [General Setup] > [Tray Setting] > [Check Paper].



If your machine displays the [All Settings] menu on the Home screen, skip the [Settings] menu.

2. Press [On] or [Off].
3. Press .



### Related Information

- [Paper Settings](#)

## Recommended Print Media

To get the best print quality, we recommend using the paper listed in the table.

Paper Type	Item
Plain Paper	Xerox Vitality Multipurpose Printer Paper, 20 lb (20 lb = 75 g/m <sup>2</sup> )
	Hammermill Laser Print (24 lb = 90 g/m <sup>2</sup> )
Recycled Paper	No specific brand recommended
Labels	Avery laser labels white #5160
Envelopes	No specific brand recommended
Glossy Paper	NewPage Futura Laser Gloss 80 lb Text (80 lb = 118 g/m <sup>2</sup> )



### Related Information

- [Paper Handling](#)

## Load Documents

- [Load Documents in the Automatic Document Feeder \(ADF\)](#)
- [Load Documents on the Scanner Glass](#)

## Load Documents in the Automatic Document Feeder (ADF)

Use the ADF when copying or scanning multi page, standard-sized documents.

- The ADF can hold the following sheets and feed each sheet individually:
  - Up to 80 sheets
- Use standard 20 lb (80 g/m<sup>2</sup>) paper.
- Make sure documents with correction fluid or written in ink are completely dry.

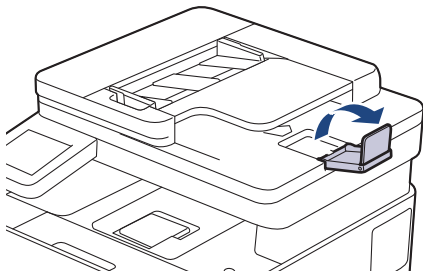
### IMPORTANT

- DO NOT leave thick documents on the scanner glass. If you do this, the ADF may jam.
- DO NOT use paper that is curled, wrinkled, folded, ripped, stapled, paper-clipped, glued together, or taped.
- DO NOT use cardboard, newspaper, or fabric.
- To avoid damaging your machine while using the ADF, DO NOT pull on the document while it is feeding.

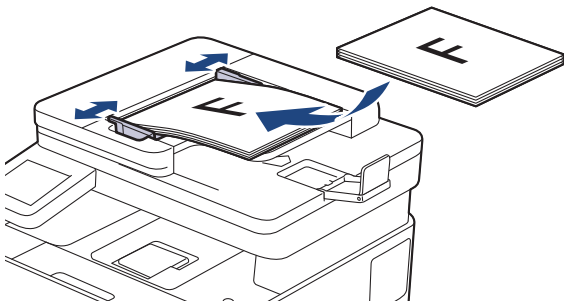
### Supported Document Sizes

Length:	5.8 in. to 14.0 in. (148 mm to 355.6 mm)
Width:	4.1 in. to 8.5 in. (105 mm to 215.9 mm)
Weight:	60 to 105 g/m <sup>2</sup> (16-28lb)

1. Unfold the ADF document output support flap.



2. Fan the pages well.
3. Stagger the pages of your document and load it into the ADF *face up* and *top edge first*, as shown in the illustration.



4. Adjust the paper guides to fit the width of your document.

### ✓ Related Information

- [Load Documents](#)

## Load Documents on the Scanner Glass

Use the scanner glass to fax, copy, or scan one page at a time.

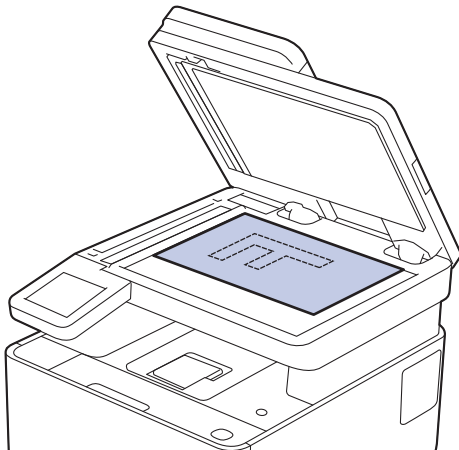
### Supported Document Sizes

Length:	<ul style="list-style-type: none"><li>(DCP-L8630CDW/MFC-L8730CDW) Up to 11.7 in. (297 mm)</li><li>(MFC-L8930CDW/MFC-L8970CDW/MFC-EX575) Up to 14 in. (355.6 mm)</li></ul>
Width:	Up to 8.5 in. (215.9 mm)
Weight:	Up to 4.4 lb (2 kg)

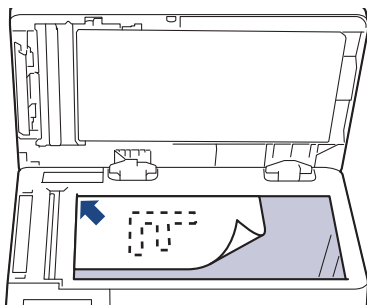
### NOTE

(For ADF models) To use the scanner glass, the ADF must be empty.

1. Lift the document cover.
2. Place the document on the scanner glass *face down*.



3. Place the corner of the page in the upper left corner of the scanner glass.



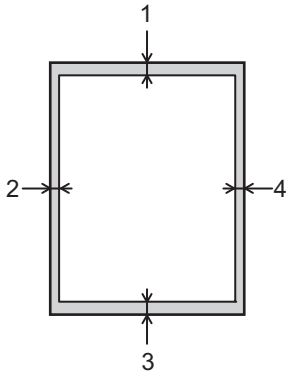
4. Close the document cover.  
If the document is a book or is thick, gently press on the document cover.

### ✓ Related Information

- [Load Documents](#)

## Unscannable and Unprintable Areas

The measurements in the table below show the maximum unscannable and unprintable areas from the edges of the most commonly-used paper sizes. These measurements may vary depending on the paper size or settings in the application you are using.



Do not attempt to scan, copy, or print in these areas. Any content included in such areas will not be reflected in the output.

Usage	Document Size	Top (1) Bottom (3)	Left (2) Right (4)
Fax (Sending)	Letter, Legal	0.12 in. (2.9 mm)	0.16 in. (3.9 mm)
	A4	0.12 in. (2.9 mm)	(ADF) 0.04 in. (1.0 mm) (Scanner Glass) 0.12 in. (3.0 mm)
Copy <sup>1</sup>	Letter, Legal	0.16 in. (4.0 mm)	0.16 in. (4.0 mm)
	A4	0.16 in. (4.0 mm)	0.12 in. (3.0 mm)
Scan	Letter	0.12 in. (3.0 mm) <sup>2</sup>	0.12 in. (3.0 mm) <sup>2</sup>
	A4	0.12 in. (3.0 mm) <sup>2</sup>	0.12 in. (3.0 mm) <sup>2</sup>
	Legal	0.12 in. (3.0 mm) <sup>2</sup>	0.12 in. (3.0 mm) <sup>2</sup>
Print	Letter, Legal	0.16 in. (4.2 mm)	0.16 in. (4.2 mm)
	A4	0.16 in. (4.2 mm)	0.16 in. (4.2 mm)

<sup>1</sup> A 1 in 1 copy and 100% document size copy

<sup>2</sup> The number shown is the default value. This number is adjustable to 0 in. (0 mm). If the number is set to 0 in. (0 mm), a black shadow may appear around the edges on the scanned image.



### Related Information

- [Paper Handling](#)

## Using Special Paper

Always test paper samples before purchasing them to ensure desirable performance.

- DO NOT use inkjet paper; it may cause a paper jam or damage your machine.
- If you use bond paper, paper with a rough surface, or paper that is wrinkled or creased, the paper may exhibit degraded performance.

Store paper in its original packaging and keep it sealed. Keep the paper flat and away from moisture, direct sunlight, and heat.

### IMPORTANT

Some types of paper may not perform well or may cause damage to your machine.

DO NOT use paper:

- that is highly textured
- that is extremely smooth or shiny
- that is curled or warped
- that is coated or has a chemical finish
- that is damaged, creased, or folded
- that exceeds the recommended weight specification in this guide
- with tabs and staples
- with letterhead using low temperature dyes or thermography
- that is multipart or carbonless
- that is designed for inkjet printing
- that has an adhesive substance applied to the surface

If you use any of the types of paper listed above, they may damage your machine. This damage is not covered under any Brother warranty or service agreement.



### Related Information

- [Paper Handling](#)

## Print

- [Print from Your Computer \(Windows\)](#)
- [Print from Your Computer \(Mac\)](#)
- [Load and Print Envelopes Using the MP Tray](#)
- [Print an Email Attachment](#)
- [Secure Print Using a USB Flash Drive](#)
- [Print Data Directly from a USB Flash Drive or Digital Camera Supporting Mass Storage](#)
- [Print Duplicate Copies](#)
- [Cancel a Print Job](#)
- [Universal Print](#)



## Print from Your Computer (Windows)

- [Print a Document \(Windows\)](#)
- [Print on Both Sides of the Paper \(Windows\)](#)
- [Secure Print \(Windows\)](#)
- [Change the Default Print Settings \(Windows\)](#)
- [Print Settings \(Windows\)](#)
- [Print a Document Using the BR-Script3 Printer Driver \(PostScript® 3™ Language Emulation\) \(Windows\)](#)

## Print a Document (Windows)

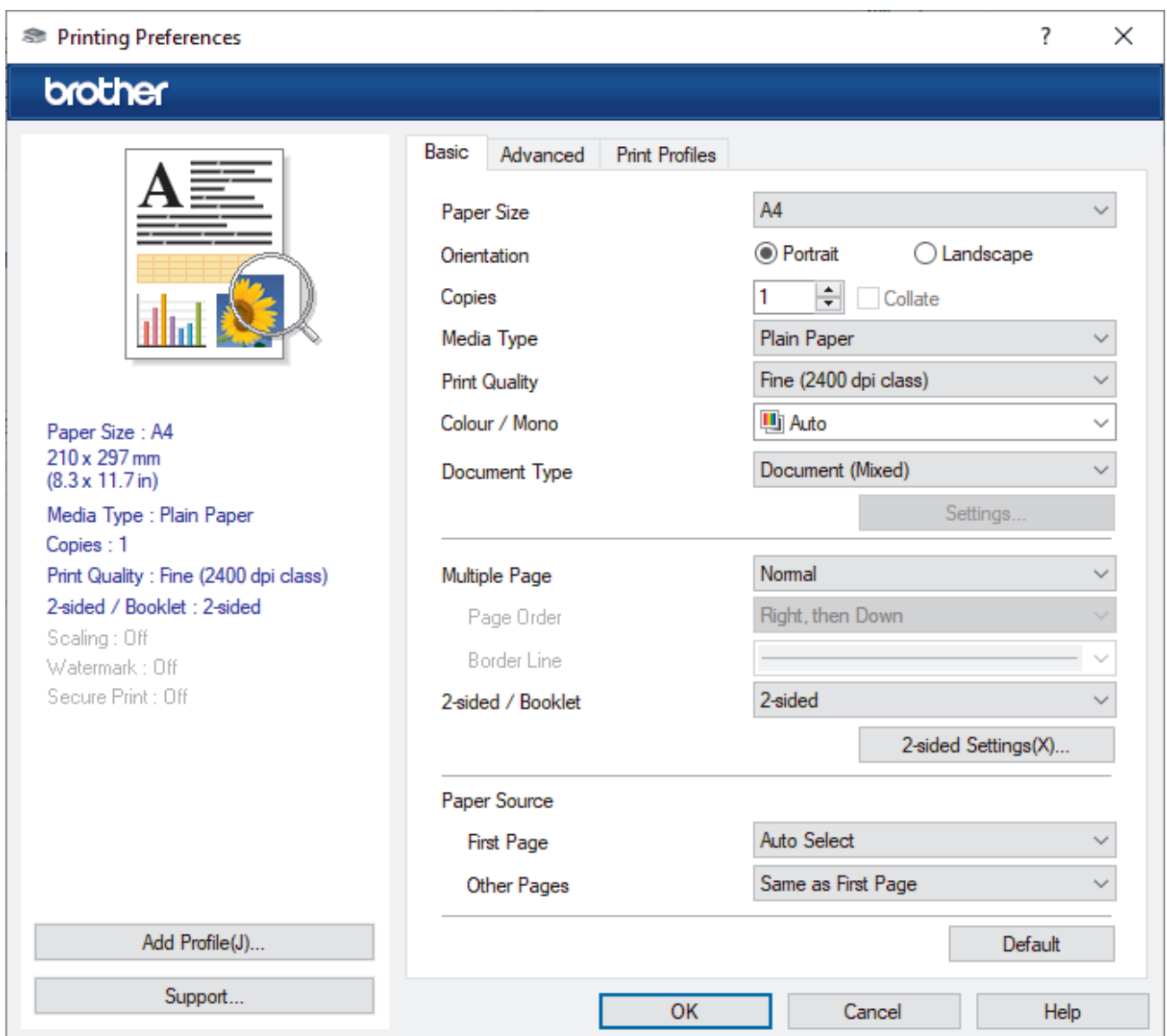
When you change an application's print settings, the changes apply only to documents printed with that application.



- 2-sided printing may be the default depending on your model. For 1-sided printing, turn off the 2-sided printing settings in the printer driver.
- To change print settings for all Windows applications, you must configure the printer driver properties. For more information, see *Related Information:Change the Default Print Settings (Windows)*.

1. Load paper in the paper tray.
2. Select the print command in your application.
3. Select your model's name, and then click the printer's properties or preferences button.

The printer driver window appears.



4. Make sure you have loaded the correct size paper in the paper tray.
5. Click the **Paper Size** drop-down list, and then select your paper size.
6. In the **Orientation** field, select the **Portrait** or **Landscape** option to set the printout orientation.



If your application contains a similar setting, we recommend that you set the printout orientation using the application.

- 
7. Type the number of copies (1-999) you want in the **Copies** field.
  8. Click the **Media Type** drop-down list, and then select the type of paper you are using.
  9. To print multiple pages on a single sheet of paper or print one page of your document on multiple sheets, click the **Multiple Page** drop-down list, and then select your options.
  10. Click the **2-sided / Booklet** drop-down list, and then select the option you want.
  11. Click the **Paper Source** drop-down list and select the paper source.



- 
- You can set the paper size and paper type for each tray using the machine's control panel.
  - You can set the priority of each tray using the machine's control panel.

For more information, see *Related Information:Paper Settings*.

---

12. Change other printer settings, if needed.
13. Click **OK**.
14. Complete your print operation.



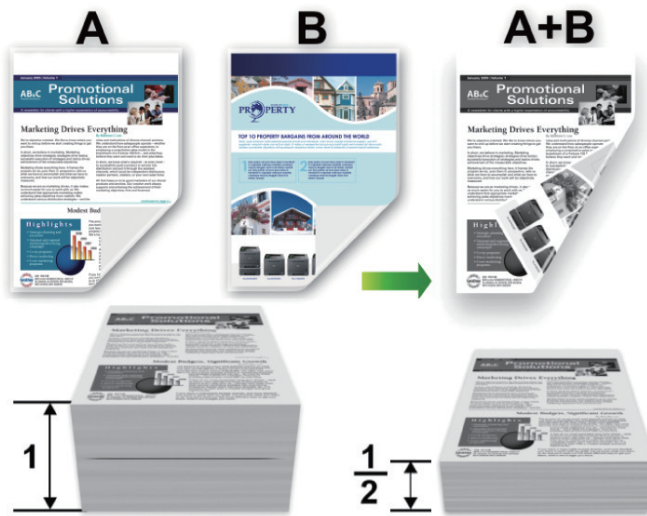
## Related Information

- [Print from Your Computer \(Windows\)](#)

### Related Topics:

- [Change the Default Print Settings \(Windows\)](#)
  - [Paper Settings](#)
  - [Print Settings \(Windows\)](#)
-

## Print on Both Sides of the Paper (Windows)



- If paper is curled, straighten it and put it back in the paper tray.
- Use regular paper or thin paper. DO NOT use bond paper.
- If the paper is too thin, it may wrinkle.
- When you use the manual 2-sided printing function, it is possible there may be paper jams or poor print quality.

1. Select the print command in your application.
2. Select your model's name, and then click the printer's properties or preferences button.  
The printer driver window appears.
3. In the **Orientation** field, select the **Portrait** or **Landscape** option to set the printout orientation.



If your application contains a similar setting, we recommend that you set the printout orientation using the application.

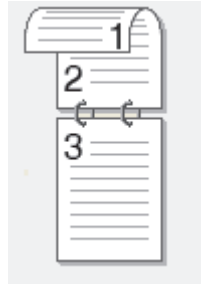
4. Click the **2-sided / Booklet** drop-down list, and then select **2-sided**.
5. Click the **2-sided Settings** button.
6. Select one of the options from the **2-sided Type** menu.

When 2-sided is selected, four types of 2-sided binding are available for each orientation:

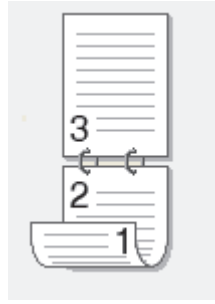
Option for Portrait	Description
Long Edge (Left)	
Long Edge (Right)	

Option for Portrait	Description
---------------------	-------------

Short Edge (Top)

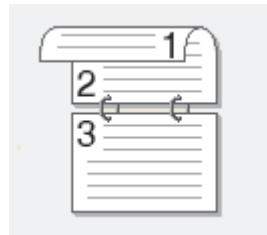


Short Edge (Bottom)

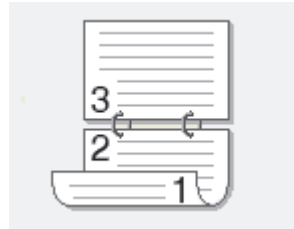


Option for Landscape	Description
----------------------	-------------

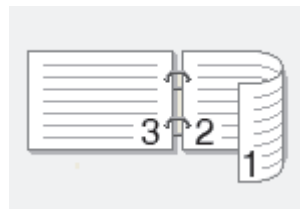
Long Edge (Top)



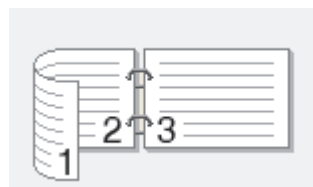
Long Edge (Bottom)



Short Edge (Right)



Short Edge (Left)



7. Select the **Binding Offset** checkbox to specify the offset for binding in inches or millimeters.
8. Click **OK**.
9. Change other printer settings, if needed.
10. Click **OK**.
11. Complete your print operation.

---

If the paper is not feeding correctly, it may be curled. Remove the paper, straighten it, and put it back in the paper tray.



### **Related Information**

- [Print from Your Computer \(Windows\)](#)
-

## Secure Print (Windows)

Use Secure Print to ensure that confidential or sensitive documents do not print until you enter a password on the machine's control panel.

The secure data is deleted from the machine when you turn off the machine.

1. Select the print command in your application.
2. Select your model's name, and then click the printer's properties or preferences button.  
The printer driver window appears.
3. Click the **Advanced** tab.
4. Click the **Settings** button in the **Secure Print** field.
5. Select the **Secure Print** checkbox.
6. Type your four-digit password in the **Password** field.
7. Type the user name and job name in the **User Name** and **Job Name** fields, if needed.
8. Click **OK** to close the **Secure Print Settings** window.
9. Click **OK**.
10. Complete your print operation.
11. On the machine's control panel, swipe left or right or press ◀ or ▶ to display the [Secure Print] option, and then press it.
12. Swipe up or down or press ▲ or ▼ to display user names, and then press your user name.
13. Enter your four-digit password, and then press [OK].
14. Swipe up or down or press ▲ or ▼ to display the print job, and then press it.
15. Enter the number of copies you want, and then press [OK].
16. Press [Start].

The secured data will be cleared from the machine's memory after printing.



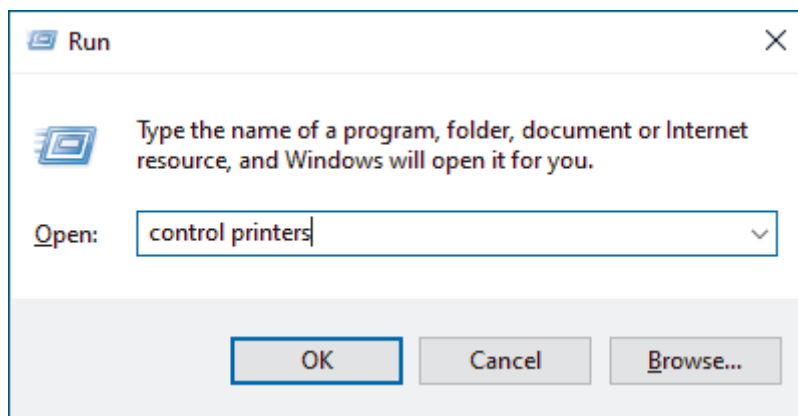
### Related Information

- [Print from Your Computer \(Windows\)](#)

## Change the Default Print Settings (Windows)

When you change an application's print settings, the changes apply only to documents printed with that application. To change print settings for all Windows applications, you must configure the printer driver properties.

1. Hold down the  key and press the  key on the computer's keyboard to launch **Run**.
2. Type "**control printers**" in the **Open:** field and click **OK**.



The **Devices and Printers** window appears.



---

If the **Devices and Printers** window does not appear, click **Devices > More devices and printer settings**.

3. Right-click your model's icon, and then select **Printer properties**. (If the printer driver options appear, select your printer driver.)

The printer properties dialog box appears.

4. Click the **General** tab, and then click the **Printing Preferences...** or **Preferences...** button.

The printer driver dialog box appears.



- 
- To configure the tray settings, click the **Device Settings** tab (available for certain models).
  - To change the printer port, click the **Ports** tab.

5. Select the print settings you want to use as the default for all of your Windows programs.
6. Click **OK**.
7. Close the printer properties dialog box.



### Related Information



- [Print from Your Computer \(Windows\)](#)
  - [Configure the Optional Tray Settings \(Windows\)](#)

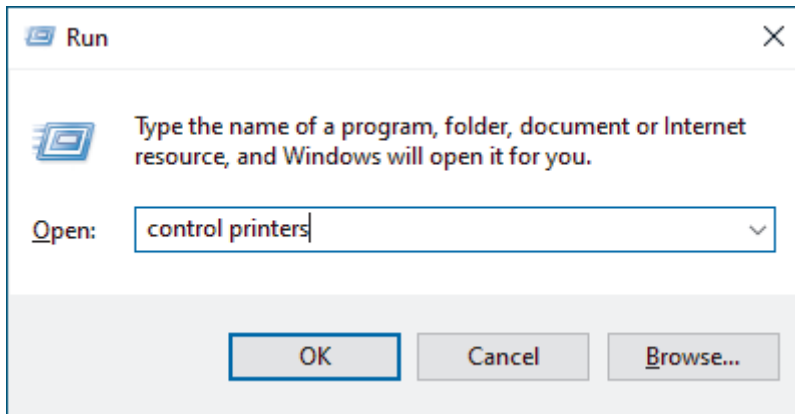


## Configure the Optional Tray Settings (Windows)

Access your machine's Properties to auto-detect your machine's Optional Tray and check the machine's serial number.

The printer driver automatically detects the Optional Tray during the driver installation. If you added the Optional Tray after the driver installation, follow these steps:

1. Hold down the  key and press the  key on the computer's keyboard to launch **Run**.
2. Type "**control printers**" in the **Open:** field and click **OK**.



The **Devices and Printers** window appears.



If the **Devices and Printers** window does not appear, click **Devices > More devices and printer settings**.

3. Right-click your model's icon, and then select **Printer properties**. (If the printer driver options appear, select your printer driver.)  
The printer properties dialog box appears.
4. Click the **Device Settings** tab.
5. Click the **Auto Detect** button.  
The Optional Tray and the machine's serial number are automatically detected.
6. Click the **Apply** button.
7. Close the printer properties dialog box.

The **Auto Detect** function is not available under the following machine conditions:

- The machine is turned off.
- The machine is shared via a Print Server.
- The machine and your computer are not connected.



### Related Information

- [Change the Default Print Settings \(Windows\)](#)

## Print Settings (Windows)



- When you change an application's print settings, the changes apply only to documents printed with that application.  
For more information, see *Related Information: Print a Document (Windows)*.
- To change the default print settings, you must configure the printer driver properties.  
For more information, see *Related Information: Change the Default Print Settings (Windows)*.

>> [Basic Tab](#)

>> [Advanced Tab](#)

### Basic Tab

The screenshot shows the 'Printing Preferences' dialog box for a Brother printer. The 'Basic' tab is selected, showing various settings for paper size, orientation, copies, media type, print quality, and document type. On the left, there is a preview of a document with a magnifying glass over a portion of it. Below the preview, the current settings are listed: Paper Size: A4 (210 x 297 mm), Media Type: Plain Paper, Copies: 1, Print Quality: Fine (2400 dpi class), 2-sided / Booklet: 2-sided, Scaling: Off, Watermark: Off, and Secure Print: Off. At the bottom of the dialog, there are buttons for 'Add Profile(J)...', 'Support...', 'OK', 'Cancel', and 'Help'.

Setting	Value
Paper Size	A4
Orientation	<input checked="" type="radio"/> Portrait <input type="radio"/> Landscape
Copies	1 <input type="checkbox"/> Collate
Media Type	Plain Paper
Print Quality	Fine (2400 dpi class)
Colour / Mono	Auto
Document Type	Document (Mixed)
Multiple Page	Normal
Page Order	Right, then Down
Border Line	
2-sided / Booklet	2-sided
Paper Source	Auto Select
First Page	Auto Select
Other Pages	Same as First Page

#### 1. Paper Size

Select the paper size you want to use. You can either choose from standard paper sizes or create a custom paper size.

#### 2. Orientation

Select the orientation (portrait or landscape) of your printout.

If your application contains a similar setting, we recommend that you set the orientation using the application.

---

### 3. Copies

Type the number of copies (1-999) that you want to print in this field.

#### Collate

Select this option to print sets of multi-page documents in the original page order. When this option is selected, one complete copy of your document will print, and then reprint according to the number of copies you choose. If this option is not selected, then each page will print according to the number of copies chosen before the next page of the document is printed.

### 4. Media Type

Select the media type you want to use. To achieve the best print results, the machine automatically adjusts its print settings according to the selected media type.

### 5. Print Quality

Select the print quality you want. Because print quality and speed are related, the higher the quality, the longer it will take to print the document.

### 6. Color / Mono

Select the Color/Mono settings to use.

## NOTE

- The machine's color sensor is very sensitive and may perceive faded black text or an off-white background as color. If you know that your document is black and white and you want to conserve color toner, select the **Mono** mode.
- If either the Cyan, Magenta, or Yellow toner reaches the end of its life while printing a color document, the print job cannot be completed. Cancel your print job and select to start the print job again in the **Mono** mode, as long as the Black toner is available.

---

### 7. Document Type

Select the type of document you want to print.

#### Settings button

Specify advanced settings, such as color mode.

#### Color Mode

Select the color mode to suit your preference.

#### Import

To adjust the print configuration of a particular image, click **Settings**. When you have finished adjusting the image parameters, such as brightness and contrast, import those settings as a print configuration file. Use the **Export** option to create a print configuration file from the current settings.

#### Export

To adjust the print configuration of a particular image, click **Settings**. When you have finished adjusting the image parameters, such as brightness and contrast, export those settings as a print configuration file. Use the **Import** option to load a previously exported configuration file.

#### Improve Gray Color

Select this option to improve the image quality of shaded areas.

#### Enhance Black Printing

If a black graphic does not print correctly, select this setting.

#### Improve Pattern Printing

Select this option to improve the pattern printing if printed fills and patterns are different from the fills and patterns you see on your computer screen.

### 8. Multiple Page

Select this option to print multiple pages on a single sheet of paper, or print one page of your document on multiple sheets.

## Page Order

Select the page order when printing multiple pages on a single sheet of paper.

## Border Line

Select the type of border to use when printing multiple pages on a single sheet of paper.

## 9. 2-sided / Booklet (available for certain models)

Select this option to print on both sides of the paper, or print a document in booklet format using 2-sided printing.

### 2-sided Settings button

Click this button to select the type of 2-sided binding. Four types of 2-sided bindings are available for each orientation.

## 10. Paper Source

Select the paper source setting according to your print conditions or purpose.

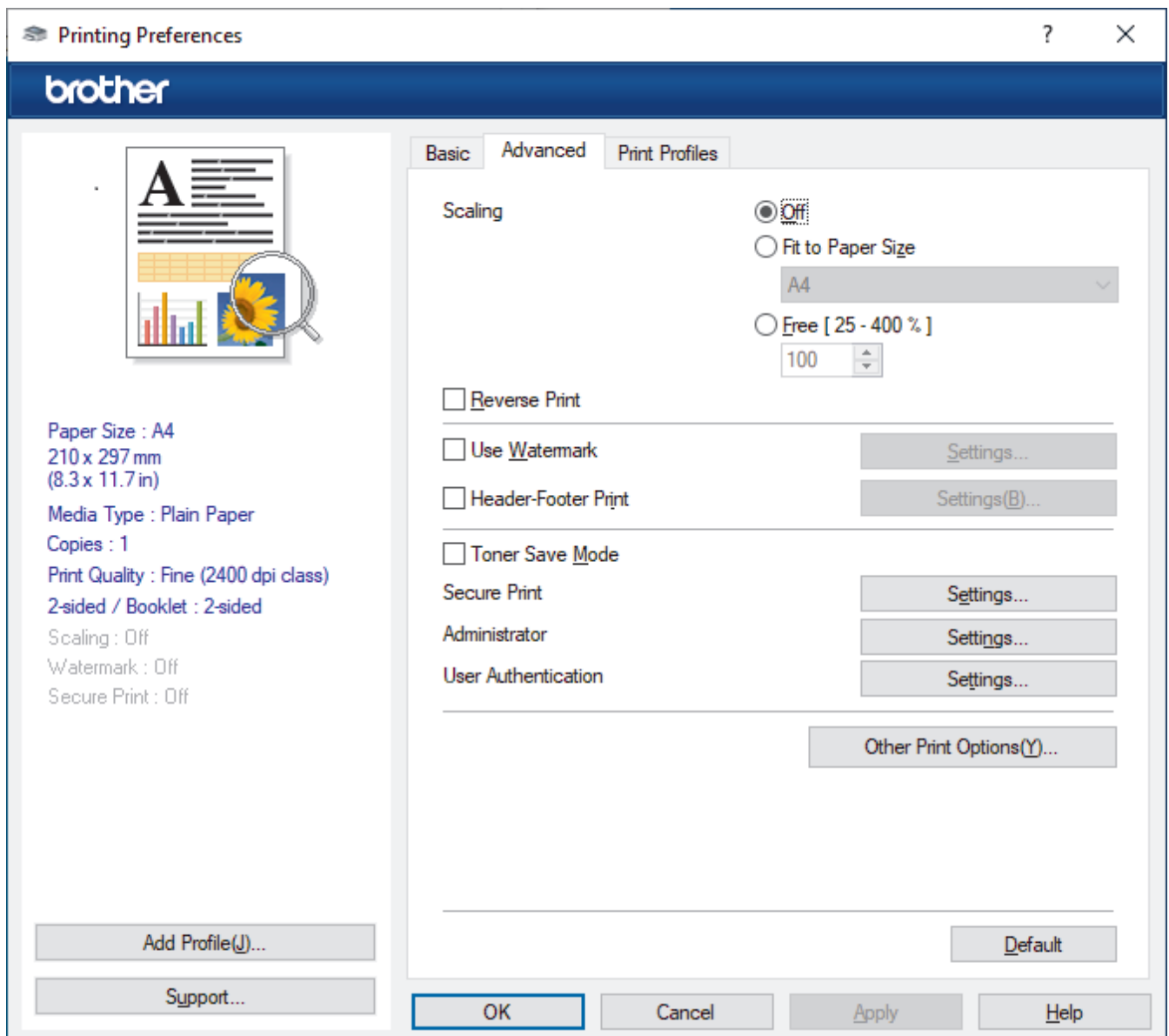
### First Page

Select the paper source to use for printing the first page.

### Other Pages

Select the paper source to use for printing the second and subsequent pages.

## Advanced Tab



---

## 1. Scaling

Select these options to enlarge or reduce the size of the pages in your document.

### Fit to Paper Size

Select this option to enlarge or reduce the document pages to fit a specified paper size. When you select this option, select the paper size you want from the drop-down list.

### Free [ 25 - 400 % ]

Select this option to enlarge or reduce the document pages manually. When you select this option, type a value into the field.

## 2. Reverse Print

Select this option to rotate the printed image 180 degrees.

## 3. Use Watermark

Select this option to print a logo or text on your document as a watermark. Select one of the preset watermarks, add a new watermark, or use an image file you have created.

## 4. Header-Footer Print

Select this option to print the date, time, and login user name on the document.

## 5. Toner Save Mode

Select this feature to use less toner to print documents; printouts appear lighter, but are still legible.

## 6. Secure Print

This feature ensures that confidential or sensitive documents are not printed out until you enter a password on the machine's control panel.

## 7. Administrator

This feature allows you to change the administrator password and restrict various printing functions.

## 8. User Authentication

This feature allows you to confirm the restrictions for each user.

## 9. Other Print Options button

### Sleep Time

Select this option to set the machine to enter sleep mode immediately after printing.

### Macro/Stream (available for certain models)

Select this feature to print an electronic form (macro/stream), which you have stored in your machine's memory, as an overlay on the print job.

### Improve Print Output

Select this option to reduce the amount of paper curling and improve the toner fixing.

### Edge Emphasis

Select this option to make the text appear sharper.

### Skip Blank Page

Select this option to allow the printer driver to automatically detect blank pages and exclude them from printing.

### TrueType Mode

#### Mode

Select how the fonts are processed for printing.

#### Use Printer TrueType Fonts (available for certain models)

Select whether to use built-in fonts for the font processing.

### Eco settings

Select this option to reduce printing noise.

---

## Document Position Adjustment

Select this option to adjust the print start position.



## Related Information

- [Print from Your Computer \(Windows\)](#)

### Related Topics:

- [Change the Default Print Settings \(Windows\)](#)
  - [Print a Document \(Windows\)](#)
-

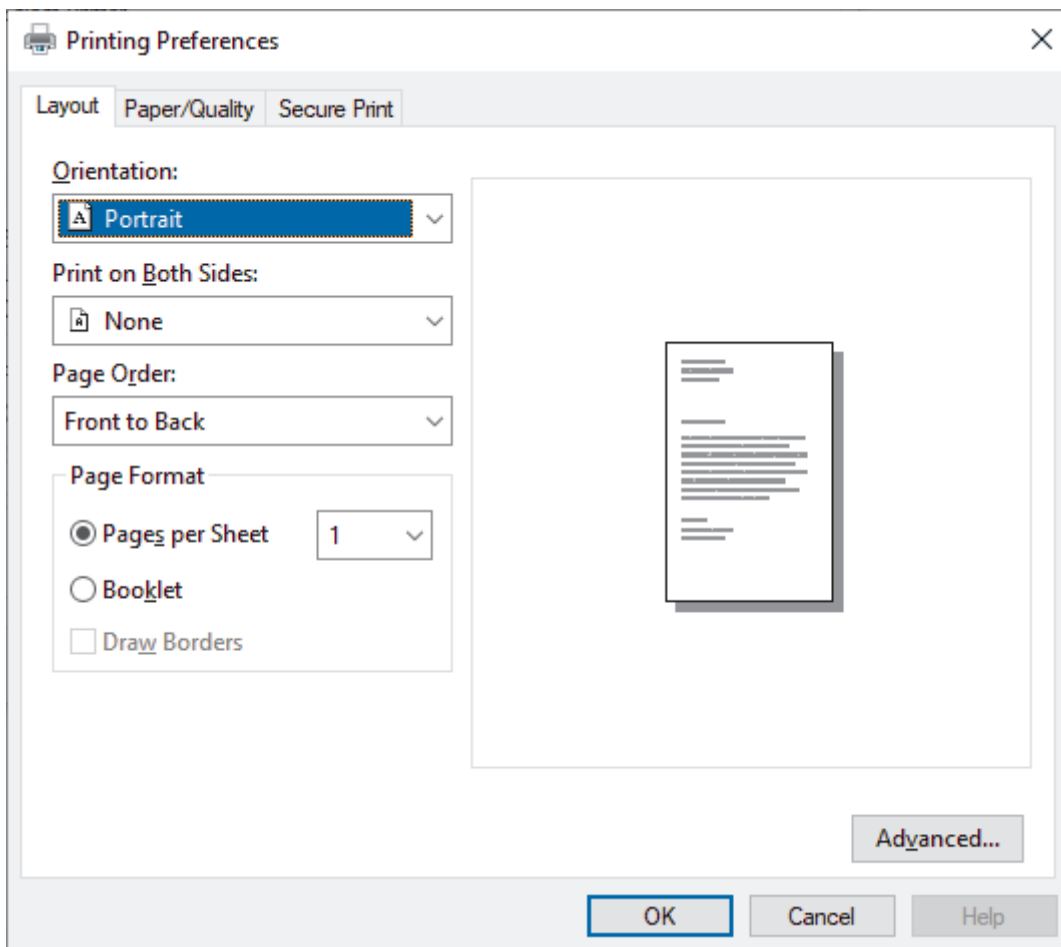
## Print a Document Using the BR-Script3 Printer Driver (PostScript® 3™ Language Emulation) (Windows)

The BR-Script3 printer driver lets you print PostScript® data more clearly.

Go to your model's **Downloads** page at [support.brother.com/downloads](http://support.brother.com/downloads) to install the PS driver (BR-Script3 printer driver).

1. Select the print command in your application.
2. Select your model with **BR-Script3** in the name, and then click the printer's properties or preferences button.

The printer driver window appears.



3. Click the **Layout**, **Paper/Quality**, or **Secure Print** tab to change basic print settings. (available for certain models)

Click the **Layout** or **Paper/Quality** tab, and then click the **Advanced...** button to change advanced print settings. Click **OK**.

4. Click **OK**.
5. Complete your print operation.

### ✓ Related Information

- [Print from Your Computer \(Windows\)](#)

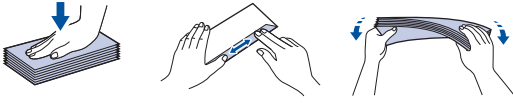
## **Print from Your Computer (Mac)**

- [Before Using AirPrint \(macOS\)](#)
- [Print Using AirPrint](#)



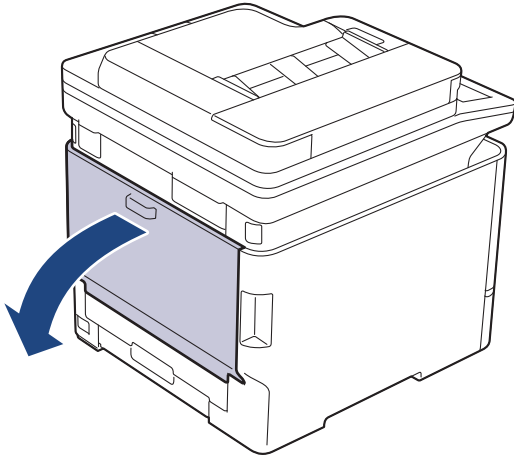
## Load and Print Envelopes Using the MP Tray

Before loading, press the corners and sides of the envelopes to make them as flat as possible.

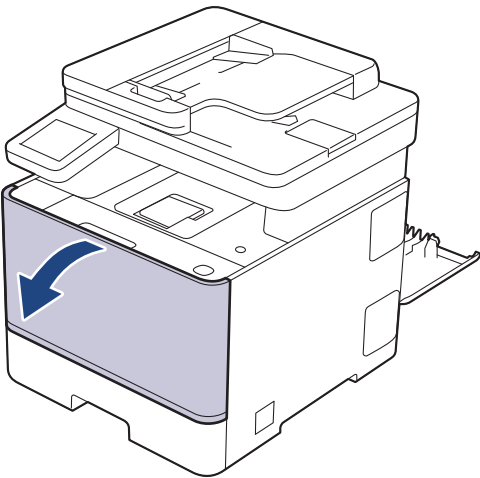


When you load a different size and type of paper in the tray, you must also change the Paper Size and Paper Type settings on the machine, or on your computer.

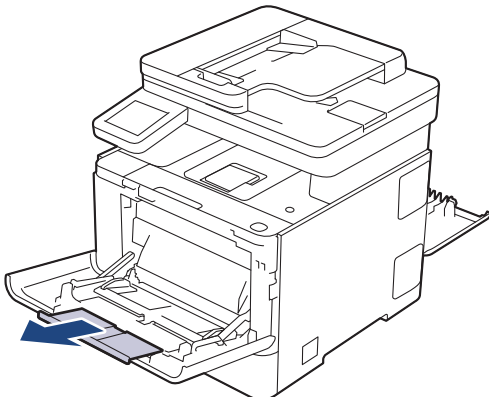
1. Open the machine's back cover (the face up output tray).



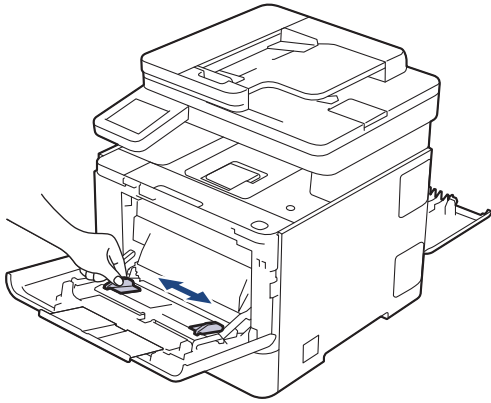
2. On the front of the machine, open the MP tray and lower it gently.



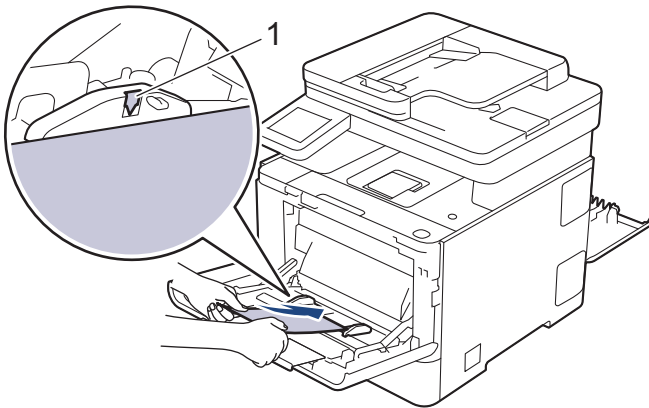
3. Extend the MP tray support.



- 
4. Slide the MP tray paper guides to fit the width of the envelopes that you are using.



5. Load envelopes with the printing surface *face up* in the MP tray.



---

Load the envelopes in the MP tray with the printing surface face up. Make sure the envelopes are below the maximum paper mark (1).

---

6. Change your print preferences in the Print dialog box.

Settings	Options for Envelopes
Paper Size	Com-10 DL C5 Monarch
Media Type	Envelopes Env. Thick Env. Thin

7. Send your print job to the machine.  
8. When finished, close the back cover (the face up output tray) until it locks in the closed position.



### Related Information

- [Load Paper](#)
  - [Print](#)
-

## Print an Email Attachment

You can print files by emailing them to your Brother machine.

- You can attach up to 10 documents, 20 MB in total, to an email.
- This feature supports the following formats:
  - Document files: PDF, TXT, and Microsoft Office files
  - Image files: JPEG, BMP, GIF, PNG, and TIFF
- The machine prints both the email content and attachments by default. To print only email attachments, change the settings as necessary.

1. Start Web Based Management. See [Access Web Based Management](#).
2. In the left navigation bar, click **Online Functions > Online Functions Settings**.



- If the left navigation bar is not visible, start navigating from ☰.
- If this function is locked, contact your network administrator for access.

3. Click the **I accept the terms and conditions** button and follow the on-screen instructions.
4. On your computer, click **General Settings**.  
The **Email Print: General Settings** screen appears.
5. Click the **Enable** button.  
The machine prints the instruction sheet.
6. Send your email to the email address included on the sheet. The machine prints the email attachments.



- To change the settings, including email address and printer settings, click the **Online Functions Settings Page** button.
- You can also configure the settings from your machine. Press [Apps] > [Online Functions], and then follow the on-screen instructions.



### Related Information

- [Print](#)

#### Related Topics:

- [Access Web Based Management](#)

## Secure Print Using a USB Flash Drive

**Related Models:** MFC-L8970CDW/MFC-EX575

USB Storage Print allows you to save secure print data to the USB flash drive and print them later by entering a password on the machine's control panel.

### NOTE

USB flash drive requirements:

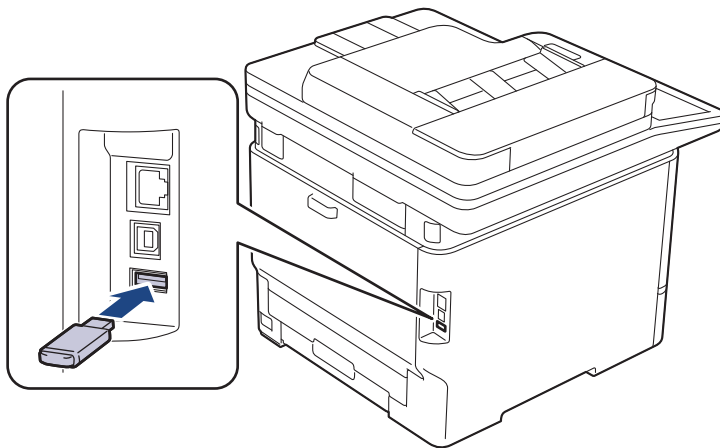
- Storage Size: 8 GB or more
- Format: FAT32/exFAT



USB flash drive recommendation:

Storage Size: 16 GB or more

- Data stored on a USB flash drive is encrypted, but this may not protect it from unauthorized access in all circumstances. Make sure you securely manage and store your data and USB flash drive.
- Data on a USB flash drive can only be read on the machine whose data it stores. You cannot read the data on another machine, device, or computer.
- When you no longer need the USB flash drive to store the data from your machine and want to use it for other purposes, delete all stored data, and format the USB flash drive on your computer. To format or clean the USB flash drive, refer to its user manual for instructions.

1. Connect your USB flash drive to the USB port (Rear).



2. Press .
3. On the machine's control panel, press  [All Settings] > [Printer] > [Job Save Location].
4. Press [USB flash drive (Rear port)].  
A message appears on the LCD to initialize the USB flash drive.

### NOTE

When you change the location where you save print jobs, all the stored job, Macro, Stream and Font data in the machine's memory will be deleted.

5. Press and hold [OK] for two seconds to initialize.  
The machine will restart to activate the USB Storage Print feature.

---

## NOTE

When the machine restarts to activate the USB Storage Print feature, the Macro, Stream and Font data will be deleted from the USB flash drive.

6. In the printer driver, complete the settings for the Secure Print option and execute the print command in your application.
7. On the machine's control panel, swipe left or right or press ◀ or ▶ to display the [Secure Print] option, and then press it.
8. Swipe up or down or press ▲ or ▼ to display user names, and then press your user name.
9. Enter your four-digit password, and then press [OK].
10. Swipe up or down or press ▲ or ▼ to display the print job, and then press it.
11. Enter the number of copies you want, and then press [OK].
12. Press [Start].

The machine prints the data and deletes the print job from the USB flash drive.

## IMPORTANT

DO NOT remove the USB flash drive from the USB port (Rear) until the machine has finished printing.



### Related Information

- [Print](#)
-

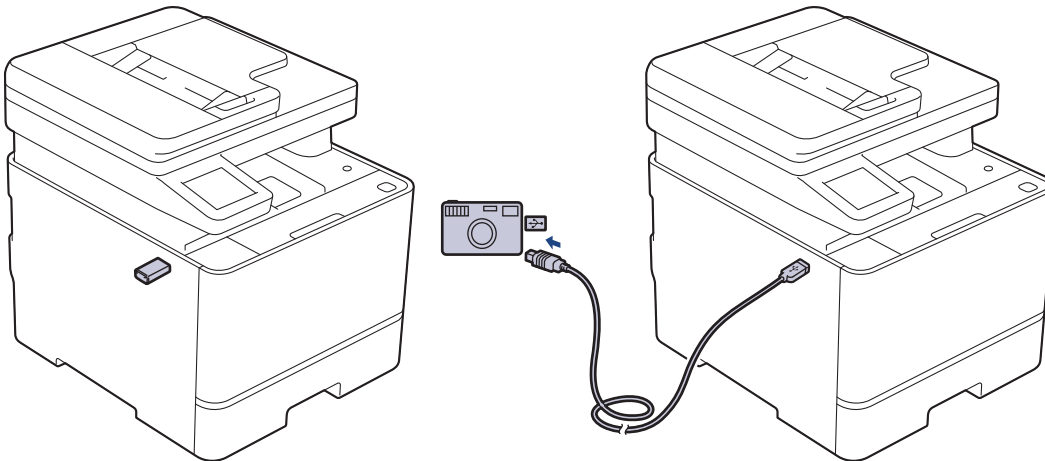
## Print Data Directly from a USB Flash Drive or Digital Camera Supporting Mass Storage

- Make sure your digital camera is turned on.
- Supported file types are PDF, JPEG, TIFF, and PRN.
- Your digital camera must be switched from PictBridge mode to Mass Storage mode.
- USB flash drive requirements:
  - Class: USB Mass Storage Class
  - Formats: FAT12/FAT16/FAT32/exFAT

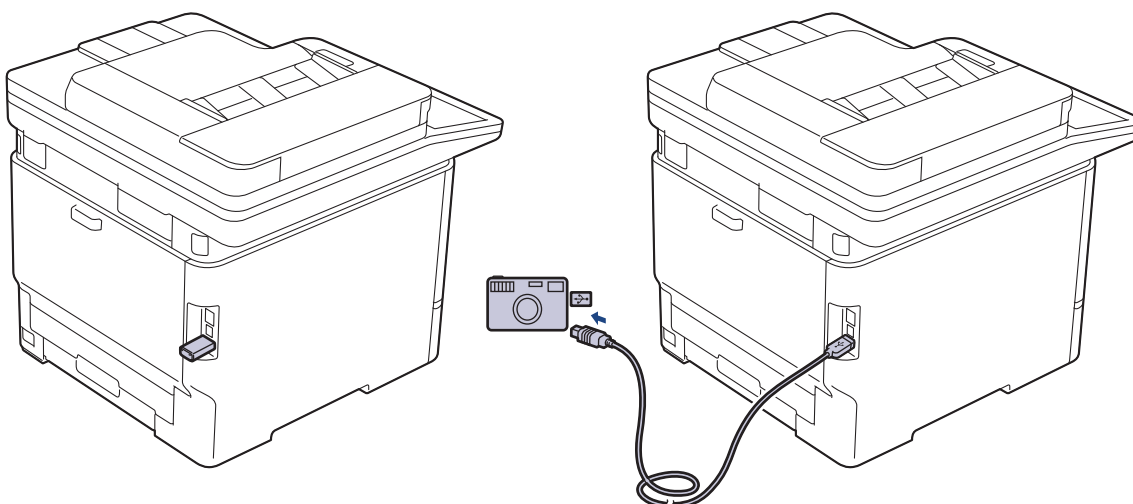
### IMPORTANT

To prevent damage to your machine, DO NOT connect any device other than a digital camera or USB flash drive to the USB direct interface.

#### USB Port Location (Front View)



#### USB Port Location (Rear View) (MFC-L8970CDW/MFC-EX575)



1. Connect your USB flash drive or digital camera to the USB direct interface. The touchscreen will automatically display the USB menu to confirm that the USB flash drive or digital camera is correctly connected.




- If an error occurs, the USB menu will not appear on the touchscreen.
- When the machine is in Deep Sleep mode, the touchscreen does not display any information even if you connect a USB flash drive to the USB direct interface. Press the touchscreen to wake up the machine.
- If your machine's Secure Function Lock is On, you may not be able to print from a USB flash drive or digital camera.
- (MFC-L8970CDW/MFC-EX575) If the machine prompts you to choose the USB port, select it on the touchscreen.

2. Press [Direct Print].
3. Swipe up or down, or press ▲ or ▼ to display the file you want to print, and then select the file.




To print an index of the files stored on the USB flash drive or digital camera, press  [Index Print] on the touchscreen. Press [Black Start] or [Color Start] to print the data.

4. Do one of the following:
  - To change the settings, press  [Print Settings]. Go to the next step.
  - If you want to use the default settings, enter the number of copies, and then press [Black Start] or [Color Start].
5. Select the print settings you want to change:
  - [Print Quality]
  - [Select Tray]
  - [Paper Type]
  - [Paper Size]
  - [Multiple Page]
  - [Orientation]
  - [2-sided]
  - [Collate]
  - [PDF Print Options]
  - [PDF Fit to Page]



Depending on the file type, some of these settings may not appear.

6. Press [OK].
7. Enter the number of copies you want.
8. Press [Black Start] or [Color Start] to print the data.
9. Press .

## IMPORTANT

DO NOT remove the USB flash drive or digital camera from the USB direct interface until the machine has finished printing.



## Related Information

- [Print](#)

## Print Duplicate Copies

Use the Carbon Copy function to make multiple copies of the same print data, as if printing on carbon paper. Send the data to individual paper trays that you loaded with different paper types or colors.

For example, you may want to set the machine to send your print data to Tray 1, which you have pre-loaded with blue colored paper, and then reprint the data in a certain location on the page from the MP Tray, which you have loaded with yellow colored paper that already contains text.


If you load blue paper in Tray 1 and yellow paper in the MP tray, the printer will automatically feed paper for Sheet 1 from Tray 1 and Sheet 2 from the MP Tray.

If you enable the Carbon Copy function, the machine will always make copies automatically.



### Windows

The Carbon Copy function also allows you to select a different printing macro/stream for each page.

1. Press  [Settings] > [All Settings] > [Printer] > [Carbon Menu] > [Carbon Copy] > [On].




If your machine displays the [All Settings] menu on the Home screen, skip the [Settings] menu.

2. Swipe up or down or press ▲ or ▼ to display the [Copies] option, and then press the [Copies] option.
3. Enter the number of copies you want, and then press [OK].
4. Swipe up or down or press ▲ or ▼ to display the [Copy1 Tray] option, and then press the [Copy1 Tray] option.
5. Swipe up or down or press ▲ or ▼ to display the paper tray you want to configure for the [Copy1 Tray] option, and then press to select the paper tray.



### Windows

- a. Swipe up or down or press ▲ or ▼ to display the [Copy1 Stream] option, and then press it.
- b. Swipe up or down or press ▲ or ▼ to display the ID number of the macro/stream you want to use, and then press it.

6. Repeat these steps until you have selected all the tray settings for each copy.
7. Press .
8. Send your print job to the machine.



## Related Information


- [Print](#)



## Cancel a Print Job

Press .



To cancel multiple print jobs, press and hold  for about four seconds.



### Related Information

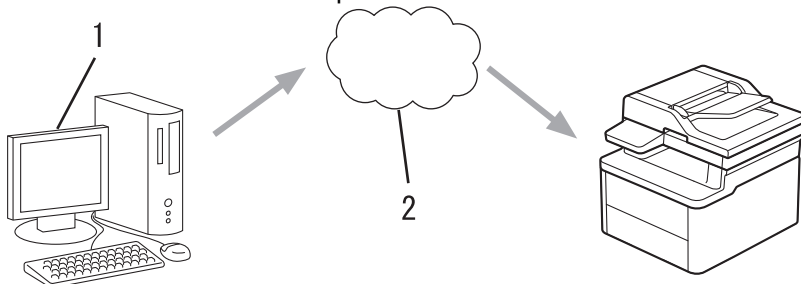
- [Print](#)
-

## Universal Print

- [Universal Print Overview](#)
- [Configure Universal Print](#)
- [Add a Universal Print-enabled Printer to Your Computer](#)
- [Deregister Your Machine from Universal Print](#)

## Universal Print Overview

Universal Print is a cloud-based print service from Microsoft. You can print documents, from anywhere on the Internet, without installing a printer driver. Universal Print is available for Azure Active Directory (Azure AD) users with a Microsoft 365 subscription.



1. Computer running Windows 10 20H1 or greater
2. Cloud server



### Related Information

- [Universal Print](#)

## Configure Universal Print

- Make sure you set the correct date and time for your time zone.
- If your network uses a proxy server, configure the proxy server settings.

### Register Your Machine with Universal Print Using Web Based Management

1. Start Web Based Management. See [Access Web Based Management](#).
2. In the left navigation bar, click **Network > Network > Protocol**.



If the left navigation bar is not visible, start navigating from ☰.

3. Select the **Universal Print** checkbox, and then click **Advanced Settings**.
4. Change your machine's name in the **Device Name** field if necessary.



Using the following characters: ?, /, \, ", :, <, >, | or \* may cause a sending error.

5. Click **Register**.
6. A Universal Print user code appears. Click the **Sign in** button, and then type the user code.
7. Follow the on-screen instructions to finish the registration.

### Assign Universal Print Users via Microsoft Azure Portal

8. Access the Microsoft Azure portal.  
URL: [portal.azure.com](https://portal.azure.com)
9. Log in as a Printer Administrator.
10. Select the **Universal Print** service.
11. Select the **Printers** option, and then select your machine from the list.
12. Select the **Share** option.
13. Select the users you want to assign to the Universal Print service, and then click **Share Printer**.






### Related Information

- [Universal Print](#)

#### Related Topics:

- [Configure Date and Time Using Web Based Management](#)
- [Configure the Proxy Server Settings Using Web Based Management](#)
- [Access Web Based Management](#)

## Add a Universal Print-enabled Printer to Your Computer

1. Do one of the following:
  - For Windows 11
    - a. Click  > **Settings** > **Bluetooth & devices** > **Printers & scanners** > **Add device**.
    - b. Select **Work or school** from the **Show printers and scanners associated with my** drop-down list.
  - For Windows 10
    - a. Click  >  > **Devices** > **Printers & scanners** > **Add a printer or scanner**.
    - b. Select **Work or school printer & scanner** from the drop-down list.
2. Select your machine registered as a Universal Print-enabled printer from the list, and then click **Add device**.

You can now print with the machine you registered as a Universal Print-enabled printer.



### Related Information

- [Universal Print](#)

## Deregister Your Machine from Universal Print

To deregister your machine, you must delete it from Web Based Management, and then delete it on the Microsoft Azure portal.

1. Start Web Based Management. See [Access Web Based Management](#).
2. In the left navigation bar, click **Network > Network > Protocol**.



If the left navigation bar is not visible, start navigating from ☰.

3. Next to the **Universal Print** checkbox, click **Advanced Settings**.
4. Click **Delete Registration Data**, and then follow the on-screen instructions.
5. Access the Microsoft Azure portal.  
URL: [portal.azure.com](https://portal.azure.com)
6. Log in as a Printer Administrator.
7. Select the **Universal Print** service.
8. Select the **Printers** option, and then select your machine from the list.
9. Click **Delete Printer Share**, and then click **OK**.
10. Click **Unregister**, and then click **OK**.



### Related Information

- [Universal Print](#)

#### Related Topics:

- [Access Web Based Management](#)

## Scan

- [Scan Using the Scan Button on Your Machine](#)
- [Scan from Your Computer \(Windows\)](#)
- [Scan from Your Computer \(Mac\)](#)
- [Secure Scan](#)
- [Configure Scan Settings Using Web Based Management](#)

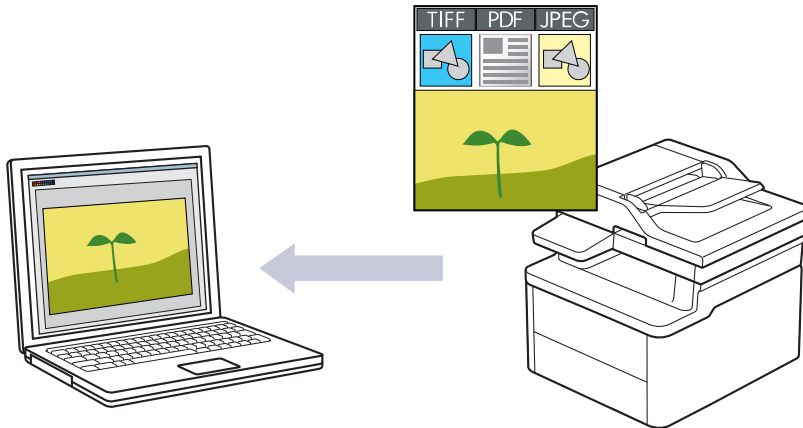
## Scan Using the Scan Button on Your Machine

- [Scan Photos and Graphics](#)
- [Scan Documents as a Single PDF File](#)
- [Save Scanned Data to a USB Flash Drive](#)
- [Scan Multiple Business Cards and Photos \(Auto Crop\)](#)
- [Scan to an Editable Text File \(OCR\)](#)
- [Save Scanned Data as an Email Attachment](#)
- [Send Scanned Data to an Email Recipient](#)
- [Scan to FTP](#)
- [Scan to SSH Server \(SFTP\)](#)
- [Scan to Network \(Windows\)](#)
- [Scan to SharePoint](#)
- [Use the Web Services Protocol for Network Scanning \(Windows\)](#)
- [Change the Scan Button Settings from Brother iPrint&Scan](#)
- [Configure Certificates for Signed PDFs](#)
- [Disable Scanning from Your Computer](#)



## Scan Photos and Graphics

Send scanned photos or graphics directly to your computer.



- **To scan from your machine:**

- You must select your machine using Brother iPrint&Scan.
  - Use Brother iPrint&Scan to change scan settings, such as the file type and file storage location.
- For more information, see *Related Information: Change the Scan Button Settings from Brother iPrint&Scan*.


- **To scan from your computer:**

See *Related Information: Scan Using Brother iPrint&Scan (Windows/Mac)*.

1. [Load your document](#).
2. Press [Scan] > [to PC] > [to Image].
3. If the machine is connected over the network, select the computer name where you want to send data.



If the LCD prompts you to enter a PIN for the computer, enter the four-digit PIN on the LCD, and then press [OK].

4. To change the settings, press  [Options], and then select the scan settings you want to change. If you use the default settings, skip this step.



Available options may differ depending on your model and settings.

- [2-sided Scan]
- [Scan Settings]
- [Color Setting]
- [Resolution]
- [File Type]
- [Document Size]
- [Brightness]
- [Contrast]
- [Auto Deskew]
- [Skip Blank Page]
- [Skip Blank Page Sensitivity]
- [Remove Background Color]

- 
- [Margin Settings]
  - [Moire Reduction]
  - [Color/Gray TIFF Compression]
  - [B&W TIFF Compression]



- 
- To change scan settings, a computer with the Brother iPrint&Scan software installed must be connected to your machine.
  - If your machine displays the [OK] button, press [OK].
  - To save the settings as a shortcut, press [Save as Shortcut].
- 

5. Press [Start].

The machine starts scanning. If using the machine's scanner glass, follow the touchscreen instructions to complete the scanning job.



### Related Information

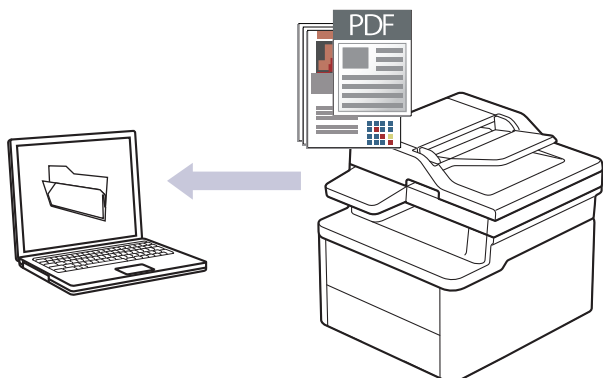
- [Scan Using the Scan Button on Your Machine](#)

#### Related Topics:

- [Change the Scan Button Settings from Brother iPrint&Scan](#)
  - [Scan Using Brother iPrint&Scan \(Windows/Mac\)](#)
-

## Scan Documents as a Single PDF File

Combine multiple pages into a single PDF document.



- **To scan from your machine:**

- You must select your machine using Brother iPrint&Scan.
- Use Brother iPrint&Scan to change scan settings, such as the file type and file storage location.

For more information, see *Related Information: Change the Scan Button Settings from Brother iPrint&Scan*.

- **To scan from your computer:**

See *Related Information: Scan Using Brother iPrint&Scan (Windows/Mac)*.



---

When scanning multiple pages to a PDF file, set the file type on your machine to [PDF Multi-Page].

---


1. Load your document.
2. Press [Scan] > [to PC] > [to File].
3. If the machine is connected over the network, select the computer name where you want to send data.



---

If the LCD prompts you to enter a PIN for the computer, enter the four-digit PIN on the LCD, and then press [OK].

---

4. To change the settings, press  [Options], and then select the scan settings you want to change. If you use the default settings, skip this step.



---

Available options may differ depending on your model and settings.

---

- [2-sided Scan]
- [Scan Settings]
- [Color Setting]
- [Resolution]
- [File Type]
- [Document Size]
- [Brightness]
- [Contrast]
- [Auto Deskew]
- [Skip Blank Page]
- [Skip Blank Page Sensitivity]
- [Remove Background Color]

- 
- [Margin Settings]
  - [Moire Reduction]
  - [Color/Gray TIFF Compression]
  - [B&W TIFF Compression]



- 
- To change scan settings, a computer with the Brother iPrint&Scan software installed must be connected to your machine.
  - If your machine displays the [OK] button, press [OK].
  - To save the settings as a shortcut, press [Save as Shortcut].
- 

5. Press [Start].

The machine starts scanning. If using the machine's scanner glass, follow the touchscreen instructions to complete the scanning job.



### Related Information


- [Scan Using the Scan Button on Your Machine](#)

#### Related Topics:

- [Change the Scan Button Settings from Brother iPrint&Scan](#)
  - [Scan Using Brother iPrint&Scan \(Windows/Mac\)](#)
-

## Save Scanned Data to a USB Flash Drive

Scan documents directly to a USB flash drive.

1. [Load your document](#).
2. Insert a USB flash drive into your machine.
3. Press [Scan to USB].
4. To change the settings, press  [Options], and then select the scan settings you want to change. If you use the default settings, skip this step.



---

Available options may differ depending on your model and settings.

---

- [2-sided Scan]
- [Color Setting]
- [Resolution]
- [File Type]
- [Document Size]
- [Brightness]
- [Contrast]
- [File Name]
- [File Name Style]
- [File Size]
- [Auto Crop]
- [Auto Deskew]
- [Skip Blank Page]
- [Skip Blank Page Sensitivity]
- [Remove Background Color]
- [Margin Settings]
- [Moire Reduction]
- [Document Separation]
- [Color/Gray TIFF Compression]
- [B&W TIFF Compression]



- 
- If your machine displays the [OK] button, press [OK].
  - To set your own default settings: after making changes to settings, press the [Set New Default] option, and then press [Yes].
  - To restore the factory settings: press [Factory Reset], and then press [Yes].
  - To save the settings as a shortcut, press [Save as Shortcut].
- 

5. Press [Start].



---

(MFC-L8970CDW/MFC-EX575)

If the machine prompts you to select the USB host, make your selection.

---

The machine starts scanning. If using the machine's scanner glass, follow the touchscreen instructions to complete the scanning job.

---

## IMPORTANT

The LCD displays a message while reading the data. DO NOT unplug the power cord or remove the USB flash drive from the machine while it is reading the data. You could lose your data or damage the USB flash drive.

---



### Related Information

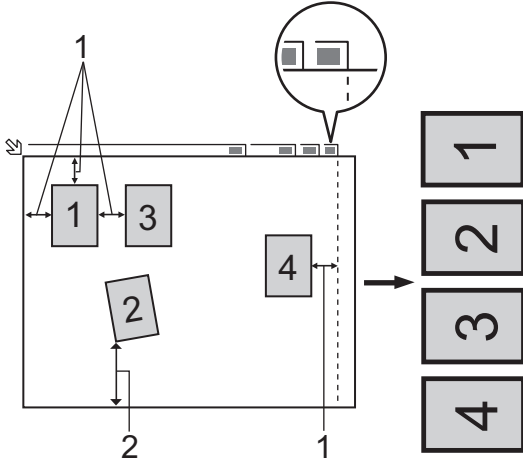
---

- [Scan Using the Scan Button on Your Machine](#)
-

## Scan Multiple Business Cards and Photos (Auto Crop)

You can scan multiple documents placed on the scanner glass. The machine will scan each document and use the Auto Crop feature to create separate files or a single multi-page file.


### Guidelines for Auto Crop



1. 0.4 in. (10 mm) or greater
2. 0.8 in. (20 mm) or greater (bottom)
  - This setting is available only for documents that are rectangular or square.
  - If your document is too long or wide, this feature will not work as described here.
  - You must place the documents away from the edges of the scanner glass as shown in the illustration.
  - You must place the documents at least 0.4 in. (10 mm) away from each other.
  - Auto Crop adjusts the skew of the document on the scanner glass; however, if your document is skewed more than 45 degrees at less than 300 x 300 dpi or 10 degrees at 600 x 600 dpi, this feature will not work.
  - The ADF must be empty to use Auto Crop.
  - The Auto Crop feature is available for a maximum of 16 documents, depending on the size of the documents.



To scan documents using the Auto Crop feature, you must place the documents on the scanner glass.

1. Load documents on the scanner glass.
2. Insert a USB flash drive into your machine.  
The LCD automatically changes.
3. Press [Scan to USB] >  [Options] > [Auto Crop].
4. Press [On].
5. Press [OK].
6. Press [Start].

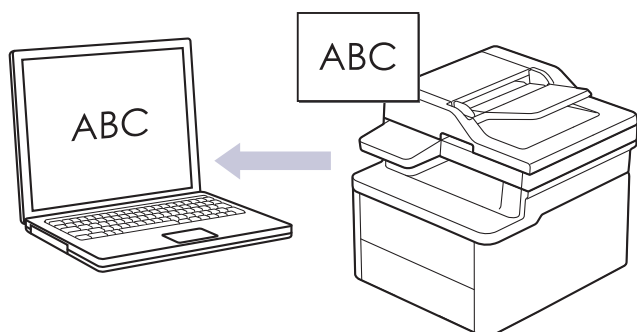
The machine starts scanning. Follow the LCD instructions to complete the scanning job.

### ✓ Related Information

- [Scan Using the Scan Button on Your Machine](#)

## Scan to an Editable Text File (OCR)

Your machine can convert characters in a scanned document to text using the optical character recognition (OCR) technology. You can edit this text using your preferred text-editing application.




- The Scan to OCR feature is available only for certain languages.
- Use the Scan button on the machine to make temporary changes to the scan settings. To make permanent changes, use Brother iPrint&Scan.

1. Load your document.
2. Press [Scan] > [to PC] > [to OCR].
3. If the machine is connected over the network, select the computer name where you want to send data.



If the LCD prompts you to enter a PIN for the computer, enter the four-digit PIN on the LCD, and then press [OK].

4. To change the settings, press  [Options], and then select the scan settings you want to change. If you use the default settings, skip this step.



Available options may differ depending on your model and settings.

- [2-sided Scan]
- [Scan Settings]
- [Color Setting]
- [Resolution]
- [File Type]
- [Document Size]
- [Brightness]
- [Contrast]
- [Auto Deskew]
- [Skip Blank Page]
- [Skip Blank Page Sensitivity]
- [Remove Background Color]
- [Margin Settings]
- [Moire Reduction]





- To change scan settings, a computer with the Brother iPrint&Scan software installed must be connected to your machine.
  - If your machine displays the [OK] button, press [OK].
  - To save the settings as a shortcut, press [Save as Shortcut].
- 

5. Press [Start].

The machine starts scanning. If using the machine's scanner glass, follow the touchscreen instructions to complete the scanning job.



### Related Information

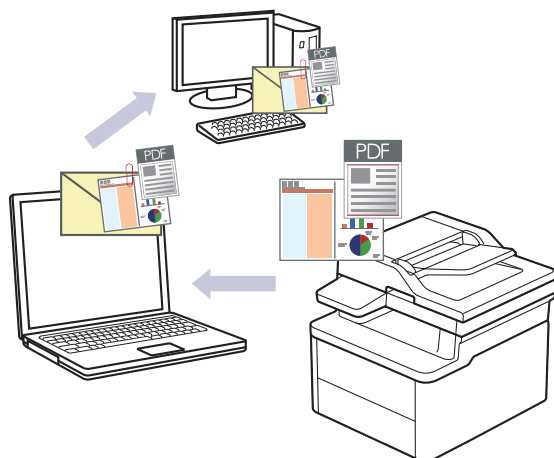
- [Scan Using the Scan Button on Your Machine](#)

#### Related Topics:

- [Change the Scan Button Settings from Brother iPrint&Scan](#)
-

## Save Scanned Data as an Email Attachment


Send the scanned data from your machine to your email application as an attachment.




- Use the Scan button on the machine to make temporary changes to the scan settings. To make permanent changes, use Brother iPrint&Scan.
- To use this feature with your machine's Scan button, make sure you select one of these applications in Brother iPrint&Scan:
  - Windows: Microsoft Outlook
  - Mac: Apple MailFor other applications and Webmail services, use the Scan to Image or Scan to File feature to scan a document, and then attach the scanned file to an email message.

1. [Load your document.](#)
2. Press [Scan] > [to PC] > [to E-mail].
3. If the machine is connected over the network, select the computer name where you want to send data.


---

 If the LCD prompts you to enter a PIN for the computer, enter the four-digit PIN on the LCD, and then press [OK].

---

4. To change the settings, press  [Options], and then select the scan settings you want to change. If you use the default settings, skip this step.

---

 Available options may differ depending on your model and settings.

---

- [2-sided Scan]
- [Scan Settings]
- [Color Setting]
- [Resolution]
- [File Type]
- [Document Size]
- [Brightness]
- [Contrast]
- [Auto Deskew]
- [Skip Blank Page]
- [Skip Blank Page Sensitivity]

- 
- [Remove Background Color]
  - [Margin Settings]
  - [Moire Reduction]
  - [Color/Gray TIFF Compression]
  - [B&W TIFF Compression]



- 
- To change scan settings, a computer with the Brother iPrint&Scan software installed must be connected to your machine.
  - If your machine displays the [OK] button, press [OK].
  - To save the settings as a shortcut, press [Save as Shortcut].
- 

5. Press [Start].

The machine starts scanning. If using the machine's scanner glass, follow the touchscreen instructions to complete the scanning job.



### Related Information

- [Scan Using the Scan Button on Your Machine](#)

**Related Topics:**

- [Change the Scan Button Settings from Brother iPrint&Scan](#)
-

## Send Scanned Data to an Email Recipient

Send scanned data directly from your machine to an email recipient without using a computer. This function allows your machine to scan documents and send them to an email address without your machine being connected to a computer. To send the scanned data as an attachment directly to your default email application using the iPrint&Scan software on your computer or the Scan button on your machine, use the "Scan to Email Attachment" function instead.


- To send scanned data to an email recipient, you must configure your machine to communicate with your network and email server, which is used to send and receive emails.
- Configure these items from the machine's control panel or Web Based Management.
- To use the Scan to Email Server function, connect your machine to the network and access an SMTP server. Set up the following SMTP email settings:
  - Server address
  - Port number
  - User name
  - Encryption type (SSL or TLS)
  - Email server certificate (if used)

If you do not know these settings, contact your email service provider or network administrator.

1. Load your document.
2. Press [Scan] > [to E-mail Server].



- If you registered your email address with your user ID, the [to My E-mail] option appears when you log on to the machine using Secure Function Lock, Active Directory Authentication, or LDAP Authentication.
- To send scanned data to your email address, press [to My E-mail]. When your email address appears on the LCD, press [Next].
- To enable this feature in Web Based Management, click **Scan > Scan to E-mail Server** in the left navigation bar. In the **Send to My E-mail** field, select **On**. Click **Submit**.

3. Do one of the following to enter the destination email address:
  - To enter the email address manually, press [Manual], and then enter the email address using the keyboard on the LCD. When finished, press [OK].
  - If the email address is stored in the machine's address book, press [Address Book], and then select the email address.  
Press [OK].
4. Confirm the email address, and then press [Next].
5. To change the settings, press  [Options], and then select the scan settings you want to change.




Available options may differ depending on your model and settings.

- [2-sided Scan]
- [Color Setting]
- [Resolution]
- [File Type]
- [Document Size]
- [Sender Subject]
- [Brightness]

- 
- [Contrast]
  - [File Name]
  - [File Name Style]
  - [File Size]
  - [Auto Deskew]
  - [Skip Blank Page]
  - [Skip Blank Page Sensitivity]
  - [Remove Background Color]
  - [Margin Settings]
  - [Moire Reduction]
  - [Document Separation]
  - [Color/Gray TIFF Compression]
  - [B&W TIFF Compression]
  - [Preview]



- 
- To preview the scanned results before the scanned data is saved, press  [Preview], and then press [Preview] ([Start]). The machine scans the document and displays the scanned results on the LCD. If the scanned results are acceptable, press [Start] to save them and to finish processing.
  - If your machine displays the [OK] button, press [OK].
  - To set your own default settings: after making changes to settings, press the [Set New Default] option, and then press [Yes].
  - To restore the factory settings: press [Factory Reset], and then press [Yes].
  - To save the settings as a shortcut, press [Save as Shortcut].

---

6. Press [Start].

The machine starts scanning. If using the machine's scanner glass, follow the touchscreen instructions to complete the scanning job.

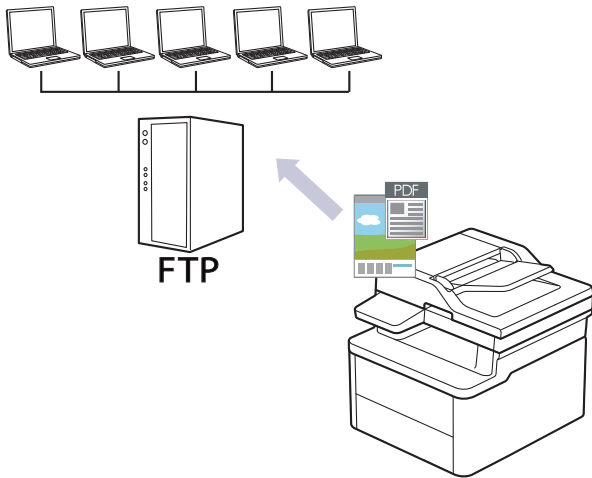


### Related Information

- [Scan Using the Scan Button on Your Machine](#)
-

## Scan to FTP

Scan documents directly to an FTP server when you need to share the scanned information. For added convenience, configure different profiles to save your favorite Scan to FTP destinations.



- [Set up a Scan to FTP Profile](#)
- [Upload Scanned Data to an FTP Server](#)

## Set up a Scan to FTP Profile

Set up a Scan to FTP Profile to scan and upload the scanned data directly to an FTP location.

1. Start Web Based Management. See [Access Web Based Management](#).
2. In the left navigation bar, click **Scan > Scan to FTP/SFTP/Network/SharePoint**.



If the left navigation bar is not visible, start navigating from ☰.

3. Select the **FTP** option, and then click **Submit**.
4. Click the **Scan to FTP/SFTP/Network/SharePoint Profile** menu.
5. Select the profile you want to set up or change.



Using the following characters: ?, /, \, ", :, <, >, | or \* may cause a sending error.

Option	Description
<b>Profile Name</b>	Type a name for this server profile (up to 15 alphanumeric characters). The machine will display this name on the LCD.
<b>Host Address</b>	Type the Host Address (for example: ftp.example.com; up to 64 characters) or the IP address (for example: 192.23.56.189).
<b>Port Number</b>	Change the <b>Port Number</b> setting used to access the FTP server. The default setting is port 21. In most cases, this setting does not need to be changed.
<b>Username</b>	Type a user name (up to 32 characters) of a user that has permission to write data to the FTP server.
<b>Password</b>	Type the password (up to 32 characters) associated with the user name you entered in the <b>Username</b> field. Type the password again in the <b>Retype password</b> field.
<b>SSL/TLS</b>	Set the <b>SSL/TLS</b> option to scan securely using SSL/TLS communication. Change the <b>CA Certificate</b> setting, if needed.
<b>Store Directory</b>	Type the path to the folder on the FTP server where you want to send your scanned data. Do not type a slash mark at the beginning of the path.
<b>File Name</b>	Select a file name prefix from the preset names provided, or from user-defined names. The file name used for the scanned document will be the file name prefix you select, followed by the last six digits of the flatbed/ADF scanner counter and the file extension (for example: "Estimate_098765.pdf").
<b>Quality</b>	Select a quality setting. If you choose the <b>User Select</b> option, the machine will prompt users to select a setting each time they use the scan profile.
<b>File Type</b>	Select the file type you want to use for the scanned document. If you choose the <b>User Select</b> option, the machine will prompt users to select a setting each time they use the scan profile.
<b>Document Size</b>	Select your document size from the list. This is necessary to make sure the scanned file is the correct size. If you choose the <b>User Select</b> option, the machine will prompt users to select a setting each time they use the scan profile.
<b>File Size</b>	Select your file size from the list. If you choose the <b>User Select</b> option, the machine will prompt users to select a setting each time they use the scan profile.

Option	Description
<b>Auto Deskew (ADF Auto Deskew)</b>	Select the <b>Auto</b> option to set the machine to correct document skewing automatically as the pages are scanned.
<b>Skip Blank Page</b>	Select the <b>On</b> option to remove blank pages of the document from the scanning results.
<b>Skip Blank Page Sensitivity</b>	Select the sensitivity level for detecting blank pages in the scanned data. The higher the sensitivity, the easier it is for the machine to detect blank pages.
<b>2-sided Scan</b> (available only for certain models)	Select the <b>Long Edge</b> or <b>Short Edge</b> option to scan both sides of the document, depending on the layout of your original.
<b>Remove Background Color</b>	Change the amount of background color that is removed.
<b>Margin Settings</b>	Adjust your document's margins.
<b>Moire Reduction</b>	Select <b>On</b> to reduce the moire pattern, or cross-hatching, in a scanned image.
<b>Document Separation</b>	Split a scanned image. When multiple documents have been scanned, you can split and save the documents separately by using this function.
<b>Color/Gray TIFF Compression</b>	Select the TIFF compression option for a color or gray document.
<b>B&amp;W TIFF Compression</b>	Select the TIFF compression option for a black and white document.
<b>Brightness</b>	Select the brightness level.
<b>Contrast</b>	Select the contrast level.
<b>Passive Mode</b>	Set the <b>Passive Mode</b> option to off or on depending on your FTP server and network firewall configuration. The default setting is on. In most cases, this setting does not need to be changed.

6. Click **Submit**.



## Related Information

- [Scan to FTP](#)

### Related Topics:

- [Access Web Based Management](#)




## Upload Scanned Data to an FTP Server

Share scanned information by saving it to your FTP server.

1. [Load your document](#).
2. Press [Scan] > [to FTP/SFTP].
3. When the server profiles you set up using Web Based Management appear, select the profile you want. If the profile is not complete (for example, if the logon account name and password are missing, or if the quality or file type is not specified), you will be prompted to enter any missing information.



To preview the scanned results before the scanned data is saved, press  [Preview], and then press [Preview] ([Start]). The machine scans the document and displays the scanned results on the LCD. If the scanned results are acceptable, press [Start] to save them and to finish processing.

4. Press [Start].

The machine starts scanning. If using the machine's scanner glass, follow the touchscreen instructions to complete the scanning job.

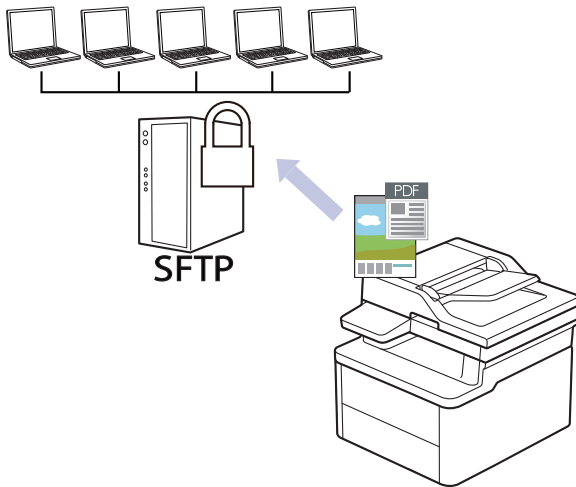


### Related Information

- [Scan to FTP](#)

## Scan to SSH Server (SFTP)

Uses the Secure Shell Protocol to establish a private and safe data stream when scanning documents to a network destination. For added convenience, configure different profiles to save your favorite Scan to SFTP destinations.



- [Set up a Scan to SFTP Profile](#)
- [Create a Client Key Pair Using Web Based Management](#)
- [Export a Client Key Pair Using Web Based Management](#)
- [Import a Server Public Key Using Web Based Management](#)
- [Upload Scanned Data to an SFTP Server](#)

## Set up a Scan to SFTP Profile

Set up a Scan to SFTP Profile to scan and upload scanned data directly to an SFTP location.

1. Start Web Based Management. See [Access Web Based Management](#).
2. In the left navigation bar, click **Scan > Scan to FTP/SFTP/Network/SharePoint**.



If the left navigation bar is not visible, start navigating from ☰.

3. Select the **SFTP** option, and then click **Submit**.
4. Click the **Scan to FTP/SFTP/Network/SharePoint Profile** menu.
5. Select the profile you want to set up or change.



Using the following characters: ?, /, \, ", :, <, >, | or \* may cause a sending error.

Option	Description
<b>Profile Name</b>	Type a name for this server profile (up to 15 alphanumeric characters). The machine will display this name on the LCD.
<b>Host Address</b>	Type the Host Address (for example: ftp.example.com; up to 64 characters) or the IP address (for example: 192.23.56.189).
<b>Username</b>	Type a user name (up to 32 characters) of a user that has permission to write data to the SFTP server.
<b>Auth. Method</b>	Select <b>Password</b> or <b>Public Key</b> .
<b>Password</b>	When you select <b>Password</b> for the <b>Auth. Method</b> option, type the password (up to 32 characters) associated with the user name you typed in the <b>Username</b> field. Type the password again in the <b>Retype password</b> field.
<b>Client Key Pair</b>	When you select <b>Public Key</b> for the <b>Auth. Method</b> option, select the authentication type.
<b>Server Public Key</b>	Select the authentication type.
<b>Store Directory</b>	Type the path to the folder on the SFTP server where you want to send your scanned data. Do not type a slash mark at the beginning of the path.
<b>File Name</b>	Select a file name prefix from the preset names provided, or from user-defined names. The file name used for the scanned document will be the file name prefix you select, followed by the last six digits of the flatbed/ADF scanner counter and the file extension (for example: "Estimate_098765.pdf").
<b>Quality</b>	Select a quality setting. If you choose the <b>User Select</b> option, the machine will prompt users to select a setting each time they use the scan profile.
<b>File Type</b>	Select the file type you want to use for the scanned document. If you choose the <b>User Select</b> option, the machine will prompt users to select a setting each time they use the scan profile.
<b>Document Size</b>	Select your document size from the list. This is necessary to make sure the scanned file is the correct size. If you choose the <b>User Select</b> option, the machine will prompt users to select a setting each time they use the scan profile.
<b>File Size</b>	Select your file size from the list. If you choose the <b>User Select</b> option, the machine will prompt users to select a setting each time they use the scan profile.

Option	Description
<b>Auto Deskew (ADF Auto Deskew)</b>	Select the <b>Auto</b> option to set the machine to correct document skewing automatically as the pages are scanned.
<b>Skip Blank Page</b>	Select the <b>On</b> option to remove blank pages of the document from the scanning results.
<b>Skip Blank Page Sensitivity</b>	Select the sensitivity level for detecting blank pages in the scanned data. The higher the sensitivity, the easier it is for the machine to detect blank pages.
<b>2-sided Scan</b> (available only for certain models)	Select the <b>Long Edge</b> or <b>Short Edge</b> option to scan both sides of the document, depending on the layout of your original.
<b>Remove Background Color</b>	Change the amount of background color that is removed.
<b>Margin Settings</b>	Adjust your document's margins.
<b>Moire Reduction</b>	Select <b>On</b> to reduce the moire pattern, or cross-hatching, in a scanned image.
<b>Document Separation</b>	Split a scanned image. When multiple documents have been scanned, you can split and save the documents separately by using this function.
<b>Color/Gray TIFF Compression</b>	Select the TIFF compression option for a color or gray document.
<b>B&amp;W TIFF Compression</b>	Select the TIFF compression option for a black and white document.
<b>Brightness</b>	Select the brightness level.
<b>Contrast</b>	Select the contrast level.
<b>Port Number</b>	Change the <b>Port Number</b> setting used to access the SFTP server. The default setting is port 22. In most cases, this setting does not need to be changed.

6. Click **Submit**.



## Related Information

- [Scan to SSH Server \(SFTP\)](#)

### Related Topics:

- [Access Web Based Management](#)

## Create a Client Key Pair Using Web Based Management

1. Start Web Based Management. See [Access Web Based Management](#).
2. In the left navigation bar, click **Network** > **Security** > **Client Key Pair**.



If the left navigation bar is not visible, start navigating from ☰.

3. Click **Create New Client Key Pair**.
4. In the **Client Key Pair Name** field, type the name (up to 20 characters) you want.
5. Click the **Public Key Algorithm** drop-down list, and then select the algorithm you want.
6. Click **Submit**.

The client key pair is created and saved in your machine's memory. The client key pair name and public key algorithm will be displayed in the **Client Key Pair List**.



### Related Information

- [Scan to SSH Server \(SFTP\)](#)

#### Related Topics:

- [Access Web Based Management](#)

## Export a Client Key Pair Using Web Based Management

1. Start Web Based Management. See [Access Web Based Management](#).
2. In the left navigation bar, click **Network** > **Security** > **Client Key Pair**.



If the left navigation bar is not visible, start navigating from ☰.

3. Click **Export Public Key** shown with **Client Key Pair List**.
4. Click **Submit**.

The client key pair is exported to your computer.



### Related Information

- [Scan to SSH Server \(SFTP\)](#)

#### Related Topics:

- [Access Web Based Management](#)

## Import a Server Public Key Using Web Based Management

1. Start Web Based Management. See [Access Web Based Management](#).
2. In the left navigation bar, click **Network > Security > Server Public Key**.



If the left navigation bar is not visible, start navigating from ☰.

3. Click **Import Server Public Key**.
4. Specify the file that you want to import.
5. Click **Submit**.

The server public key is imported to your machine.



### Related Information

- [Scan to SSH Server \(SFTP\)](#)

#### Related Topics:


- [Access Web Based Management](#)

## Upload Scanned Data to an SFTP Server

1. [Load your document.](#)
2. Press [Scan] > [to FTP/SFTP].
3. When the server profiles you set up using Web Based Management appear, select the profile you want. If the profile is not complete (for example, if the logon account name and password are missing, or if the quality or file type is not specified), you will be prompted to enter any missing information.



---

To preview the scanned results before the scanned data is saved, press  [Preview], and then press [Preview] ([Start]). The machine scans the document and displays the scanned results on the LCD. If the scanned results are acceptable, press [Start] to save them and to finish processing.

---

4. Press [Start].

The machine starts scanning. If using the machine's scanner glass, follow the touchscreen instructions to complete the scanning job.



### Related Information

- [Scan to SSH Server \(SFTP\)](#)
-



## Scan to Network (Windows)


Scan documents directly to a CIFS server on your local network. For added convenience, you can configure different profiles to save your favorite Scan to Network destinations.

- [Set up a Scan to Network Profile](#)
- [Upload Scanned Data to a CIFS Server](#)


## Set up a Scan to Network Profile

Set up a Scan to Network Profile to scan and upload scanned data directly to a folder on a CIFS server.


1. Start Web Based Management. See [Access Web Based Management](#).
2. In the left navigation bar, click **Scan > Scan to FTP/SFTP/Network/SharePoint**.

 If the left navigation bar is not visible, start navigating from ☰.

3. Select the **Network** option, and then click **Submit**.

 If you want to send the data to your designated folder on the CIFS server, select **On** for the **Send to My Folder** option.

4. Click the **Scan to FTP/SFTP/Network/SharePoint Profile** menu.
5. Select the profile you want to set up or change.

 Using the following characters: ?, /, \, ", :, <, >, | or \* may cause a sending error.

Option	Description
<b>Profile Name</b>	Type a name for this server profile (up to 15 alphanumeric characters). The machine will display this name on the LCD.
<b>Network Folder Path</b>	Type the path to the folder on the CIFS server where you want to send your scanned data.
<b>File Name</b>	Select a file name prefix from the preset names provided, or from user-defined names. The file name used for the scanned document will be the file name prefix you select, followed by the last six digits of the flatbed/ADF scanner counter and the file extension (for example: "Estimate_098765.pdf").
<b>Quality</b>	Select a quality setting. If you choose the <b>User Select</b> option, the machine will prompt users to select a setting each time they use the scan profile.
<b>File Type</b>	Select the file type you want to use for the scanned document. If you choose the <b>User Select</b> option, the machine will prompt users to select a setting each time they use the scan profile.
<b>Document Size</b>	Select your document size from the list. This is necessary to make sure the scanned file is the correct size. If you choose the <b>User Select</b> option, the machine will prompt users to select a setting each time they use the scan profile.
<b>File Size</b>	Select your file size from the list. If you choose the <b>User Select</b> option, the machine will prompt users to select a setting each time they use the scan profile.
<b>Auto Deskew (ADF Auto Deskew)</b>	Select the <b>Auto</b> option to set the machine to correct document skewing automatically as the pages are scanned.
<b>Skip Blank Page</b>	Select the <b>On</b> option to remove blank pages of the document from the scanning results.
<b>Skip Blank Page Sensitivity</b>	Select the sensitivity level for detecting blank pages in the scanned data. The higher the sensitivity, the easier it is for the machine to detect blank pages.
<b>2-sided Scan</b> (available only for certain models)	Select the <b>Long Edge</b> or <b>Short Edge</b> option to scan both sides of the document, depending on the layout of your original.
<b>Remove Background Color</b>	Change the amount of background color that is removed.

Option	Description
<b>Margin Settings</b>	Adjust your document's margins.
<b>Moire Reduction</b>	Select <b>On</b> to reduce the moire pattern, or cross-hatching, in a scanned image.
<b>Document Separation</b>	Split a scanned image. When multiple documents have been scanned, you can split and save the documents separately by using this function.
<b>Color/Gray TIFF Compression</b>	Select the TIFF compression option for a color or gray document.
<b>B&amp;W TIFF Compression</b>	Select the TIFF compression option for a black and white document.
<b>Brightness</b>	Select the brightness level.
<b>Contrast</b>	Select the contrast level.
<b>Use PIN for Authentication</b>	To PIN-protect this profile, select <b>On</b> and type a four-digit PIN in the <b>PIN Code</b> field.
<b>Auth. Method</b>	To set your authentication method, select <b>Auto</b> , <b>Kerberos</b> , or <b>NTLMv2</b> .
<b>Username</b>	Type a user name (up to 96 characters) of a user that has permission to write data to the folder specified in the <b>Network Folder Path</b> field. If the user name is part of a domain, enter the user name in one of the following styles: <ul style="list-style-type: none"> <li>• <b>user@domain</b></li> <li>• <b>domain\user</b></li> </ul>
<b>Password</b>	Type the password (up to 32 characters) associated with the user name you entered in the <b>Username</b> field. Type the password again in the <b>Retype password</b> field.
<b>Kerberos Server Address</b>	When you select <b>Kerberos</b> for the <b>Auth. Method</b> option, you must type the Kerberos Server Address (for example: kerberos.example.com; up to 64 characters).

- Click **Submit**.
- You must configure the SNTP protocol (network time server) or set the date, time and time zone correctly on the control panel for all authentication methods. The machine's time must match the time used by the Kerberos Server and CIFS Server.



## Related Information

- [Scan to Network \(Windows\)](#)

### Related Topics:

- [Access Web Based Management](#)
- [Configure Date and Time Using Web Based Management](#)

## Upload Scanned Data to a CIFS Server


1. [Load your document.](#)
2. Press [Scan] > [to Network].



- If you registered your user ID, the [to My Folder] option appears when you log on to the machine using Active Directory Authentication or LDAP Authentication.
- To send scanned data to your designated folder on the CIFS server, press [to My Folder].
- To enable this feature in Web Based Management, click **Scan > Scan to FTP/SFTP/Network/SharePoint** in the left navigation bar. In the **Send to My Folder** field, select **On**.

3. When the server profiles you set up using Web Based Management appear, select the profile you want. If the profile is not complete (for example, if the logon account name and password are missing, or if the quality or file type is not specified), you will be prompted to enter any missing information.



- If the LCD prompts you to enter a PIN for the computer, enter the four-digit PIN on the LCD, and then press [OK].
- To preview the scanned results before the scanned data is saved, press  [Preview], and then press [Preview] ([Start]). The machine scans the document and displays the scanned results on the LCD. If the scanned results are acceptable, press [Start] to save them and to finish processing.

4. Press [Start].

The machine starts scanning. If using the machine's scanner glass, follow the touchscreen instructions to complete the scanning job.



### Related Information

- [Scan to Network \(Windows\)](#)

## Scan to SharePoint

Scan documents directly to a SharePoint server when you need to share the scanned information. For added convenience, configure different profiles to save your favorite Scan to SharePoint destinations.

- [Set up a Scan to SharePoint Profile](#)
- [Upload Scanned Data to a SharePoint Server](#)

## Set up a Scan to SharePoint Profile

Set up a Scan to SharePoint Profile to scan and upload the scanned data directly to a SharePoint location.

1. Start Web Based Management. See [Access Web Based Management](#).
2. In the left navigation bar, click **Scan > Scan to FTP/SFTP/Network/SharePoint**.



If the left navigation bar is not visible, start navigating from ☰.

3. Select the **SharePoint** option, and then click **Submit**.
4. Click the **Scan to FTP/SFTP/Network/SharePoint Profile** menu.
5. Select the profile you want to set up or change.

### NOTE

Using the following characters: ?, /, \, ", :, <, >, | or \* may cause a sending error.

Option	Description
<b>Profile Name</b>	Type a name for this server profile (up to 15 alphanumeric characters). The machine will display this name on the LCD.
<b>SharePoint Site Address</b>	Copy and paste the full destination address shown in the address bar of your browser (for example: <a href="http://SharePointSiteAddress/Shared%20Documents/Forms/AllItems.aspx">http://SharePointSiteAddress/Shared %20Documents/Forms/AllItems.aspx</a> ) or the IP address (for example: <a href="http://192.168.0.1/Shared%20Documents/Forms/AllItems.aspx">http://192.168.0.1/Shared%20Documents/Forms/AllItems.aspx</a> ).
<b>SSL/TLS</b>	If the address in the <b>SharePoint Site Address</b> field starts with "https://", you can verify the server certificate by selecting the <b>Verify Server Certificate</b> checkbox.
<b>File Name</b>	Select a file name prefix from the preset names provided, or from user-defined names. The file name used for the scanned document will be the file name prefix you select, followed by the last six digits of the flatbed/ADF scanner counter and the file extension (for example: "Estimate_098765.pdf").
<b>Quality</b>	Select a quality setting. If you choose the <b>User Select</b> option, the machine will prompt users to select a setting each time they use the scan profile.
<b>File Type</b>	Select the file type you want to use for the scanned document. If you choose the <b>User Select</b> option, the machine will prompt users to select a setting each time they use the scan profile.
<b>Document Size</b>	Select your document size from the list. This is necessary to make sure the scanned file is the correct size. If you choose the <b>User Select</b> option, the machine will prompt users to select a setting each time they use the scan profile.
<b>File Size</b>	Select your file size from the list. If you choose the <b>User Select</b> option, the machine will prompt users to select a setting each time they use the scan profile.
<b>Auto Deskew (ADF Auto Deskew)</b>	Select the <b>Auto</b> option to set the machine to correct document skewing automatically as the pages are scanned.
<b>Skip Blank Page</b>	Select the <b>On</b> option to remove blank pages of the document from the scanning results.
<b>Skip Blank Page Sensitivity</b>	Select the sensitivity level for detecting blank pages in the scanned data. The higher the sensitivity, the easier it is for the machine to detect blank pages.

Option	Description
<b>2-sided Scan</b> (available only for certain models)	Select the <b>Long Edge</b> or <b>Short Edge</b> option to scan both sides of the document, depending on the layout of your original.
<b>Remove Background Color</b>	Change the amount of background color that is removed.
<b>Margin Settings</b>	Adjust your document's margins.
<b>Moire Reduction</b>	Select <b>On</b> to reduce the moire pattern, or cross-hatching, in a scanned image.
<b>Document Separation</b>	Split a scanned image. When multiple documents have been scanned, you can split and save the documents separately by using this function.
<b>Color/Gray TIFF Compression</b>	Select the TIFF compression option for a color or gray document.
<b>B&amp;W TIFF Compression</b>	Select the TIFF compression option for a black and white document.
<b>Brightness</b>	Select the brightness level.
<b>Contrast</b>	Select the contrast level.
<b>Use PIN for Authentication</b>	To PIN-protect this profile, select <b>On</b> and type a four-digit PIN in the <b>PIN Code</b> field.
<b>Auth. Method</b>	To set your authentication method, select <b>Auto</b> , <b>NTLMv2</b> , <b>Kerberos</b> , or <b>Basic</b> . If you choose <b>Auto</b> , the authentication method will be detected automatically.
<b>Username</b>	Type the user name (up to 96 characters) of a user that has permission to write data to the folder specified in the <b>SharePoint Site Address</b> field. If the user name is part of a domain, enter the user name in one of the following styles: <ul style="list-style-type: none"> <li>• <b>user@domain</b></li> <li>• <b>domain\user</b></li> </ul>
<b>Password</b>	Type the password (up to 32 characters) associated with the user name you entered in the <b>Username</b> field. Type the password again in the <b>Retype password</b> field.
<b>Kerberos Server Address</b>	When you select <b>Kerberos</b> for the <b>Auth. Method</b> option, you must type the Kerberos Server Address (for example: kerberos.example.com; up to 64 characters).

6. Click **Submit**.



## Related Information

- [Scan to SharePoint](#)


### Related Topics:

- [Access Web Based Management](#)

## Upload Scanned Data to a SharePoint Server

1. Load your document.
2. Press [Scan] > [to SharePoint].
3. When the server profiles you set up using Web Based Management appear, select the profile you want. If the profile is not complete (for example, if the logon account name and password are missing, or if the quality or file type is not specified), you will be prompted to enter any missing information.



- If the LCD prompts you to enter a PIN for the computer, enter the four-digit PIN on the LCD, and then press [OK].
- To preview the scanned results before the scanned data is saved, press  [Preview], and then press [Preview] ([Start]). The machine scans the document and displays the scanned results on the LCD. If the scanned results are acceptable, press [Start] to save them and to finish processing.

4. Press [Start].

The machine starts scanning. If using the machine's scanner glass, follow the touchscreen instructions to complete the scanning job.



### Related Information

- [Scan to SharePoint](#)





## Use the Web Services Protocol for Network Scanning (Windows)

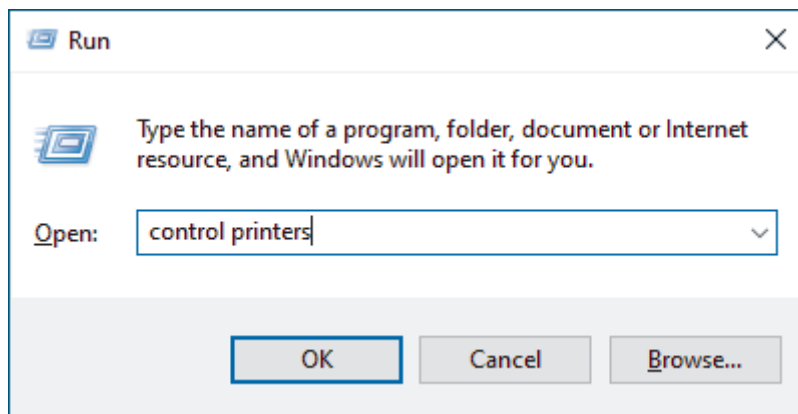
The Web Services protocol enables Windows 10 and Windows 11 users to scan using a Brother machine on the network. You must install the driver via Web Services.

- [Use the Web Services Protocol to Install the Scanner Driver \(Windows\)](#)
- [Scan From Your Machine Using the Web Services Protocol \(Windows\)](#)
- [Configure Scan Settings for the Web Services Protocol](#)


## Use the Web Services Protocol to Install the Scanner Driver (Windows)

- Make sure you have installed the correct software and drivers for your machine.
- Verify that the host computer and the Brother machine are on the same subnet, or that the router is correctly configured to pass data between the two devices.
- You must configure the IP address on your Brother machine before you configure this setting.


1. Hold down the  key and press the  key on the computer's keyboard to launch **Run**.
2. Type "**control printers**" in the **Open:** field and click **OK**.




The **Devices and Printers** window appears.

 If the **Devices and Printers** window does not appear, click **Devices > More devices and printer settings**.

3. Click **Add a device**.

 The Web Services Name for the Brother machine is your model's name and the MAC Address.

4. Select the machine you want to install, and then follow the on-screen instructions.

 To uninstall the drivers, click **Remove device**.

### Related Information

- [Use the Web Services Protocol for Network Scanning \(Windows\)](#)

## Scan From Your Machine Using the Web Services Protocol (Windows)

If you have installed the scanner driver via Web Services, you can access the Web Services scanning menu on your machine's LCD.

Certain characters in the messages displayed on the LCD may be replaced with spaces if the language settings of your operating system and your machine are different.

1. [Load your document.](#)
2. Press [Scan] > [WS Scan].
3. Select the scan type.
4. Select the computer name where you want to send scanned data.
5. Press [Start].

The machine starts scanning.



If you are requested to select a scanning application, select Windows Fax and Scan from the list.

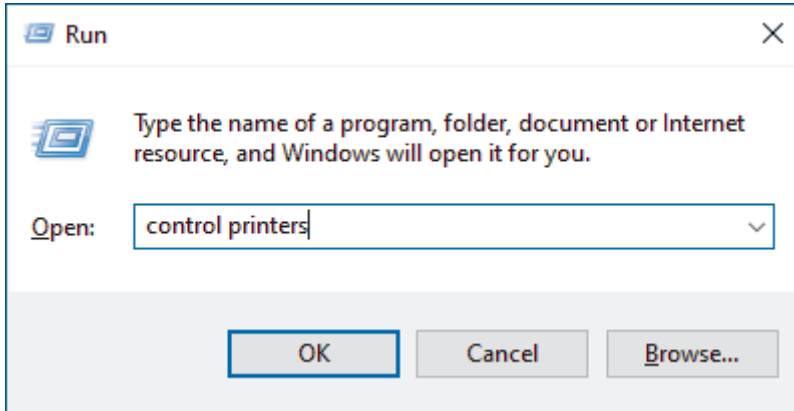


### Related Information

- [Use the Web Services Protocol for Network Scanning \(Windows\)](#)

## Configure Scan Settings for the Web Services Protocol

1. Hold down the  key and press the  key on the computer's keyboard to launch **Run**.
2. Type "**control printers**" in the **Open:** field and click **OK**.



The **Devices and Printers** window appears.



If the **Devices and Printers** window does not appear, click **Devices > More devices and printer settings**.

3. Right-click the machine icon, and then select **Scan profiles....** The **Scan Profiles** dialog box appears.
4. Select the scan profile you want to use.
5. Make sure the scanner selected in the **Scanner** list is a machine that supports Web Services for scanning, and then click the **Set as Default** button.
6. Click **Edit....**

The **Edit Default Profile** dialog box appears.

7. Select the **Source**, **Paper size**, **Color format**, **File type**, **Resolution (DPI)**, **Brightness** and **Contrast** settings. (The available options will vary depending on your model.)
8. Click the **Save Profile** button.

These settings will be applied when you scan using the Web Services protocol.

If the machine prompts you to select a scanning application, select Windows Fax and Scan from the list.




### Related Information

- [Use the Web Services Protocol for Network Scanning \(Windows\)](#)

## Change the Scan Button Settings from Brother iPrint&Scan

Brother iPrint&Scan allows you to change the machine's Scan Button settings.

1. Start Brother iPrint&Scan.
  - Windows:  
Double-click the  (Brother iPrint&Scan) icon on your computer's desktop.  
For more information, see *Related Information*.
  - Mac:  
In the **Finder** menu bar, click **Go > Applications**, and then double-click the iPrint&Scan icon.  
The Brother iPrint&Scan screen appears.

### NOTE

#### To download the latest application:

- For Windows:  
Go to your model's **Downloads** page at [support.brother.com/downloads](http://support.brother.com/downloads), and then download and install Brother iPrint&Scan.
  - For Mac:  
Download and install Brother iPrint&Scan from the Apple App Store.
2. If your Brother machine is not selected, click the **Add Machine / Select your Machine** button, and then follow the on-screen instructions to select your Brother machine.
  3. Click the **Machine Scan Settings** button, and then follow the on-screen instructions to change the scan settings, such as document size, color, and resolution.



### Related Information

- [Scan Using the Scan Button on Your Machine](#)

#### Related Topics:

- [Access Brother iPrint&Scan \(Windows/Mac\)](#)
- [Scan Photos and Graphics](#)
- [Scan Documents as a Single PDF File](#)
- [Scan to an Editable Text File \(OCR\)](#)
- [Save Scanned Data as an Email Attachment](#)

## Configure Certificates for Signed PDFs

If you select Signed PDF for Scan features (available only for certain models), you must configure a certificate on your machine using Web Based Management.

To use Signed PDF, you must install a certificate on your machine and your computer.

1. Start Web Based Management. See [Access Web Based Management](#).
2. In the left navigation bar, click **Administrator** > **Signed PDF**.



If the left navigation bar is not visible, start navigating from ☰.

3. Click the **Select the Certificate** drop-down list, and then select the certificate.
4. Click **Submit**.



### Related Information

- [Scan Using the Scan Button on Your Machine](#)

#### Related Topics:

- [Access Web Based Management](#)

## Disable Scanning from Your Computer

To disable the scan function on your computer, disable the Pull Scan setting using Web Based Management.

1. Start Web Based Management. See [Access Web Based Management](#).
2. In the left navigation bar, click **Scan > Scan from PC**.



If the left navigation bar is not visible, start navigating from ☰.

3. In the **Pull Scan** field, click **Disabled**.
4. Click **Submit**.



### Related Information

- [Scan Using the Scan Button on Your Machine](#)

#### Related Topics:

- [Access Web Based Management](#)

## Scan from Your Computer (Windows)


There are several ways you can use your computer to scan photos and documents on your machine. Use the software applications we provide or use your favorite scanning application.

- [Scan Using Brother iPrint&Scan \(Windows/Mac\)](#)
- [Scan Using Kofax PaperPort™ 14SE or Other Windows Applications](#)
- [Scan Using Windows Fax and Scan](#)



## Scan Using Brother iPrint&Scan (Windows/Mac)

1. Load your document.
  2. Start Brother iPrint&Scan.
    - Windows:

Double-click the  (Brother iPrint&Scan) icon on your computer's desktop.

For more information, see *Related Information*.
    - Mac:

In the **Finder** menu bar, click **Go > Applications**, and then double-click the iPrint&Scan icon.
- The Brother iPrint&Scan screen appears.

### NOTE

#### To download the latest application:

- For Windows:

Go to your model's **Downloads** page at [support.brother.com/downloads](http://support.brother.com/downloads), and then download and install Brother iPrint&Scan.
- For Mac:

Download and install Brother iPrint&Scan from the Apple App Store.

3. If your Brother machine is not selected, click the **Add Machine / Select your Machine** button, and then select your model's name from the list. Click **OK**.
4. Click the **Scan** icon.
5. Configure the scan settings, and then click the **Scan** button to start scanning.
6. After all the documents have been scanned, select the option for saving and sharing scanned data.
7. Configure detailed settings, including the **File Name** and the **File Type**.



To combine multiple scans into a file, select PDF as the **File Type**.

8. Complete the scanning process.



### Related Information


- [Scan from Your Computer \(Windows\)](#)

#### Related Topics:

- [Access Brother iPrint&Scan \(Windows/Mac\)](#)
- [Scan Photos and Graphics](#)
- [Scan Documents as a Single PDF File](#)



## Scan Using Kofax PaperPort™ 14SE or Other Windows Applications

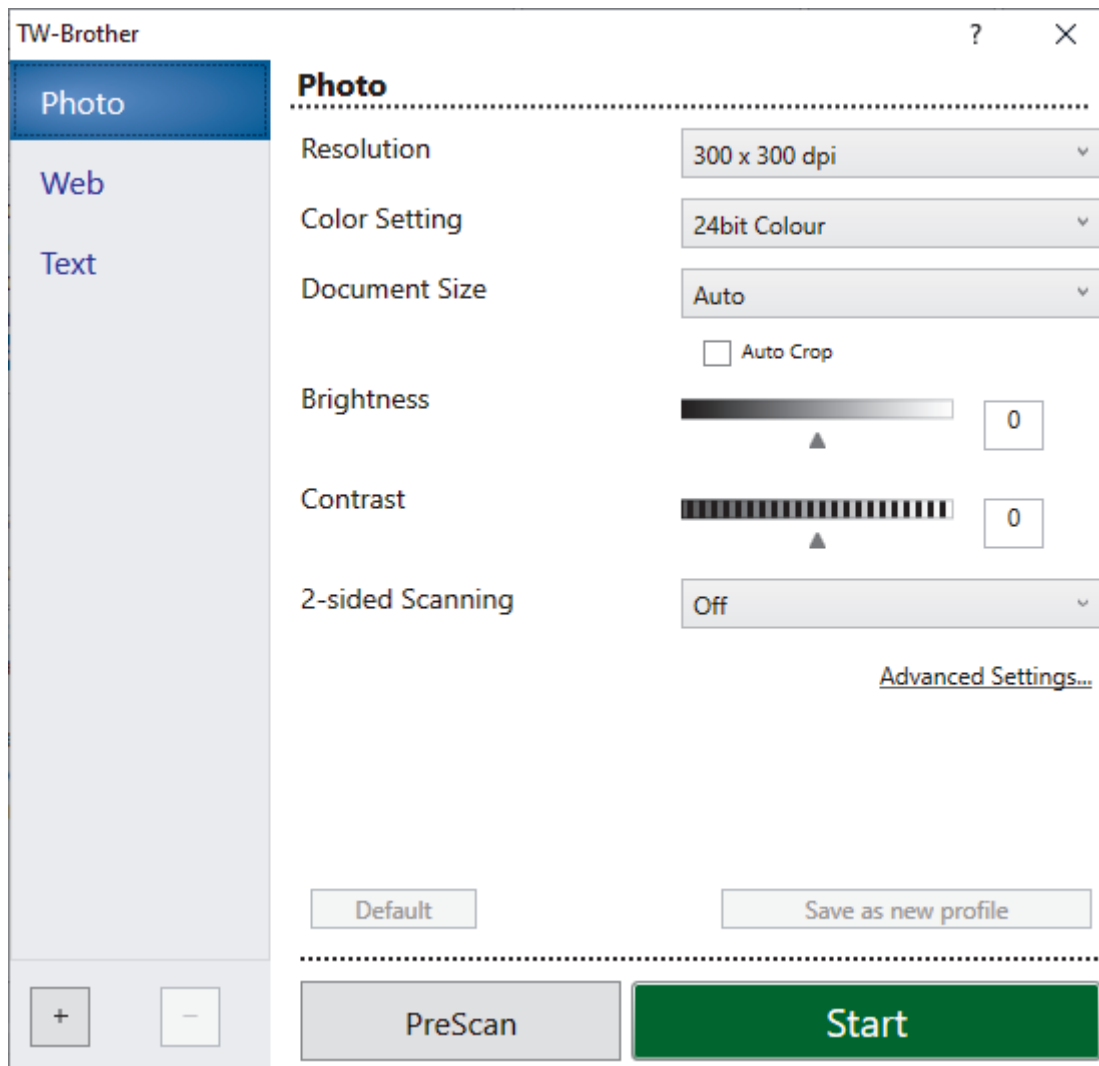
You can use the Kofax PaperPort™ 14SE application for scanning.

- This function is not available in countries subject to applicable export regulations.
- To download the Kofax PaperPort™ 14SE application, click  (**Brother Utilities**), select **Do More** in the left navigation bar, and then click **PaperPort**.



The instructions for scanning in these steps are for PaperPort™ 14SE. For other Windows applications, the steps will be similar. PaperPort™ 14SE supports both TWAIN and WIA drivers; the TWAIN driver (recommended) is used in these steps.

1. [Load your document](#).
2. Start PaperPort™ 14SE.  
Do one of the following:
  - Windows 11  
Click  > **All apps** > **Kofax PaperPort 14** > **PaperPort**.
  - Windows 10  
Click  > **Kofax PaperPort 14** > **PaperPort**.
3. Click the **Desktop** menu, and then click **Scan Settings** in the **Desktop** ribbon.  
The **Scan or Get Photo** panel appears on the left side of the screen.
4. Click **Select**.
5. From the available Scanners list, select your model with **TWAIN: TW** in the name.
6. Click **OK**.
7. Select the **Display scanner dialog box** checkbox in the **Scan or Get Photo** panel.
8. Click **Scan**.  
The Scanner Setup dialog box appears.



9. Adjust the settings in the Scanner Setup dialog box, if needed.
10. Click the **Document Size** drop-down list, and then select your document size.



To scan both sides of the document (MFC-L8730CDW/MFC-L8930CDW/MFC-L8970CDW/MFC-EX575): Automatic 2-sided scan is available only when using the ADF. You cannot use PreScan to preview the scanned image.

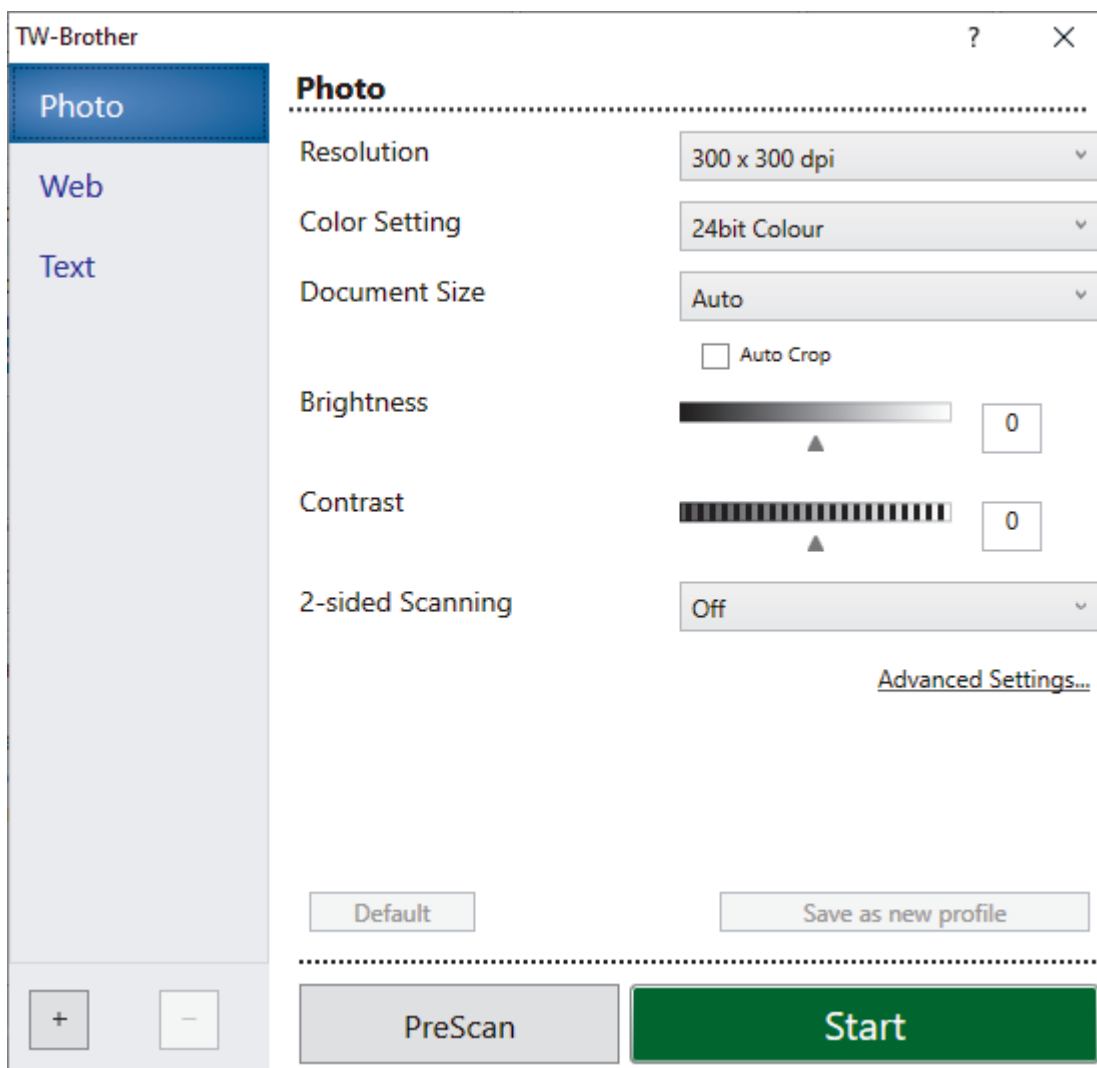
11. Click **PreScan** to preview your image and crop unwanted portions before scanning.
12. Click **Start**.  
The machine starts scanning.



### Related Information

- [Scan from Your Computer \(Windows\)](#)
  - [TWAIN Driver Settings \(Windows\)](#)

## TWAIN Driver Settings (Windows)



- Note that the item names and assignable values will vary depending on the machine.
- The **Contrast** option is available only when selecting the **Gray (Error Diffusion)**, **True Gray**, or **24bit Color** options from the **Color Setting** settings.

### 1. Scan

Select the **Photo**, **Web**, or **Text** option depending on the type of document you want to scan.

Scan (Image Type)		Resolution	Color Setting
<b>Photo</b>	Use for scanning photo images.	300 x 300 dpi	<b>24bit Color</b>
<b>Web</b>	Use for attaching scanned images to web pages.	100 x 100 dpi	<b>24bit Color</b>
<b>Text</b>	Use for scanning text documents.	200 x 200 dpi	<b>Black &amp; White</b>

### 2. Resolution

Select a scanning resolution from the **Resolution** drop-down list. Higher resolutions take more memory and a longer transfer time, but produce a higher quality scanned image.

### 3. Color Setting

Select from a range of scan color depths.

---

- **Black & White**

Use for text or line art images.

- **Gray (Error Diffusion)**

Use for photographic images or graphics. (Error Diffusion is a method for creating simulated gray images without using true gray dots. Black dots are arranged in a specific pattern to give a gray appearance.)

- **True Gray**

Use for photographic images or graphics. This mode is more accurate because it uses up to 256 shades of gray.

- **24bit Color**

Use to create an image with the most accurate color reproduction. This mode uses up to 16.8 million colors to scan the image, but it requires the most memory and has the longest transfer time.

#### 4. Document Size

Select the exact size of your document from a selection of preset scan sizes.

If you select **Custom**, the **Custom Document Size** dialog box appears and you can specify the document size.

#### 5. Auto Crop

Scan multiple documents placed on the scanner glass. The machine will scan each document and create separate files or a single multi-page file.

#### 6. Brightness

Set the brightness level by dragging the slider to the right or left to lighten or darken the image. If the scanned image is too light, set a lower brightness level and scan the document again. If the image is too dark, set a higher brightness level and scan the document again. You can also type a value in the field to set the brightness level.

#### 7. Contrast

Increase or decrease the contrast level by moving the slider to the right or left. An increase emphasizes dark and light areas of the image, while a decrease reveals more details in gray areas. You can also type a value in the field to set the contrast level.

#### 8. 2-sided Scanning (MFC-L8730CDW/MFC-L8930CDW/MFC-L8970CDW/MFC-EX575)

Scan both sides of the document. When using the Automatic 2-sided Scan feature, you must select the **Long-edge binding** or **Short-edge binding** option from the **2-sided Scanning** drop-down list, so that when you turn the pages, they are facing the way you want.

#### 9. Advanced Settings

Configure advanced settings by clicking the **Advanced Settings** link in the Scan Settings dialog box.

- **Document Correction**

- **Auto Deskew**

Set the machine to correct document skewing automatically as the pages are scanned.

- **Detect End of Page (ADF)**

Detects the end of page and automatically adjusts the size of a page when the length of the document scanned from the ADF is shorter than the selected document size.

- **Margin Settings**

Adjust the margins in your document.

- **Rotate Image**

Rotate the scanned image.

- **Fill With Color**

Fill in the edges on four sides of the scanned image using the selected color and range.

- **Skip Blank Page**

Remove the document's blank pages from the scanning results.

- **Fixed-size Output Mode (Letter/Legal)**

---

Scan mixed size documents. The machine detects each document size and creates a file including Letter and Legal size pages. To use this mode, select the **Auto** option from the **Document Size** drop-down list.

- **Image Quality**
  - **Background Processing**
    - **Remove Bleed-through / Pattern**

Prevent bleed-through.
    - **Remove Background Color**

Remove the base color of documents to make the scanned data more legible.
  - **Color Drop**

Select a color to remove from the scanned image.
  - **Edge Emphasis**

Make the characters of the original sharper.
  - **Reduce Noise**

Improve the quality of your scanned images with this selection. The **Reduce Noise** option is available when selecting the **24bit Color** option and the **300 x 300 dpi**, **400 x 400 dpi**, or **600 x 600 dpi** scan resolution.
  - **Moire Reduction**

Improve the quality of your scanned images with this selection. The **Moire Reduction** option is available when selecting the **100 x 100 dpi**, **150 x 150 dpi**, **200 x 200 dpi** or **300 x 300 dpi** scan resolution.
- **B&W Image Quality**
  - **Character Correction**
    - **Blurred Character Correction**

Correct the broken or incomplete characters of the original to make them easier to read.
    - **Boldface Formatting**

Emphasize the characters of the original by making them bold.
  - **B&W Inversion**

Invert black and white in the black and white image.
- **Feed Control**
  - **Layout**

Select the layout.
  - **Continuous Scan**

Select this option to scan multiple pages. After a page is scanned, select whether to continue scanning or finish.



## Related Information

- [Scan Using Kofax PaperPort™ 14SE or Other Windows Applications](#)
-

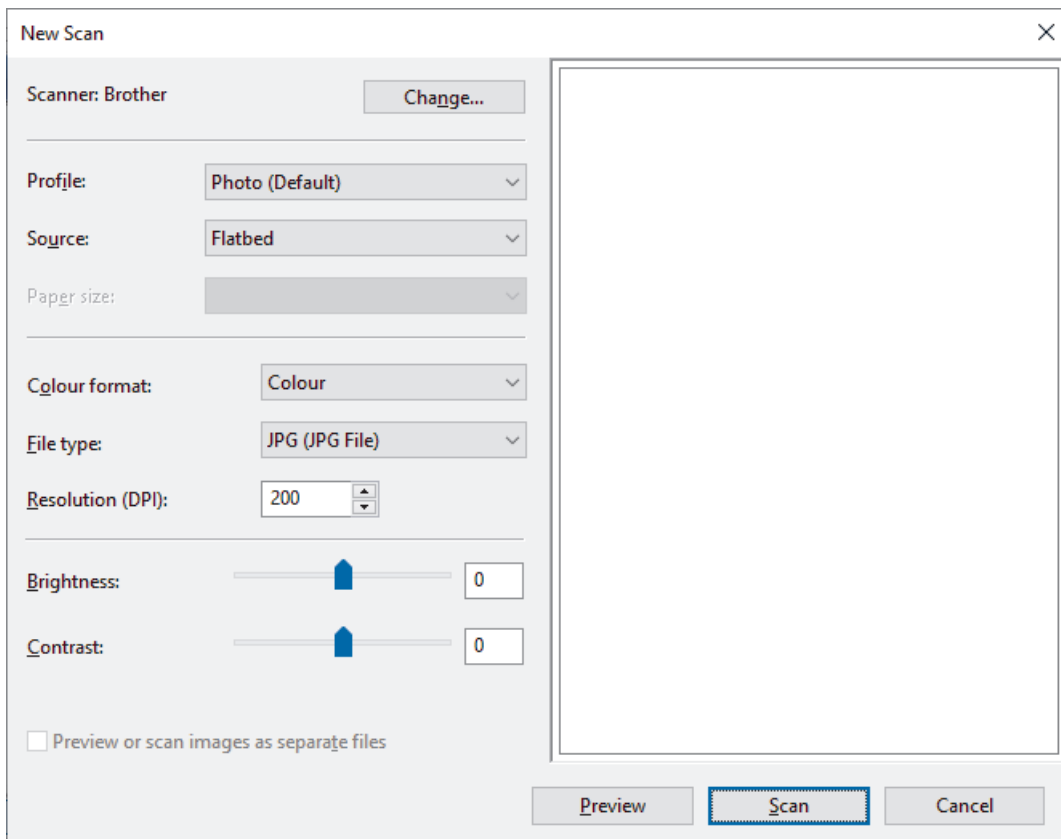
## Scan Using Windows Fax and Scan

The Windows Fax and Scan application is another option that you can use for scanning.

- Windows Fax and Scan uses the WIA scanner driver.
- If you plan to crop a portion of a scanned page, you must scan the original document using the scanner glass (also called the flatbed), not by feeding it through the Automatic Document Feeder (ADF).

1. [Load your document.](#)
2. Launch Windows Fax and Scan.
3. Click **File > New > Scan.**
4. Select the scanner you want to use.
5. Click **OK.**

The **New Scan** dialog box appears.

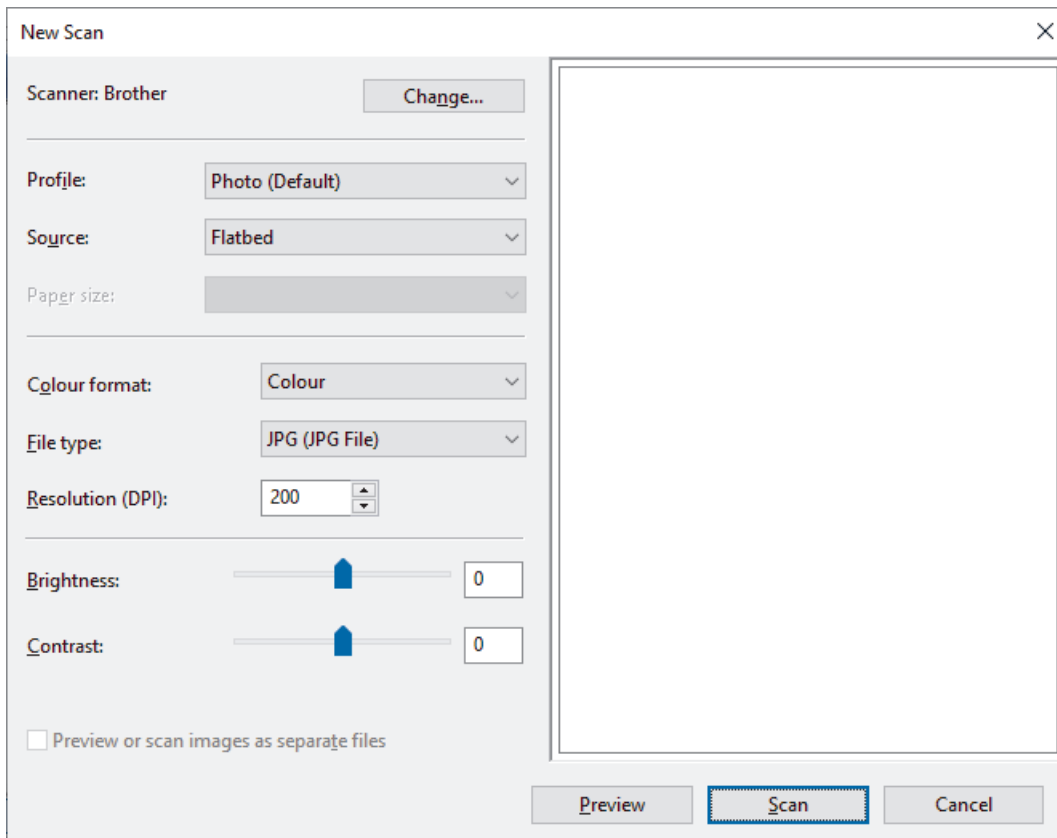


6. Adjust the settings in the dialog box, if needed.  
If your machine supports 2-sided scanning and you want to scan both sides of your document, select **Feeder (Scan both sides)** from the **Source** drop-down list.
7. Click **Scan.**  
The machine starts scanning the document.

### ✓ Related Information

- [Scan from Your Computer \(Windows\)](#)
  - [WIA Driver Settings \(Windows\)](#)

## WIA Driver Settings (Windows)



### Profile

Select the scan profile you want to use from the **Profile** drop-down list.

### Source

Select the **Flatbed**, **Feeder (Scan one side)**, or **Feeder (Scan both sides)** option from the drop-down list.

### Paper size

The **Paper size** option is available if you select the **Feeder (Scan one side)** or **Feeder (Scan both sides)** option from the **Source** drop-down list.

### Color format

Select a scan color format from the **Color format** drop-down list.

### File type

Select a file format from the **File type** drop-down list.

### Resolution (DPI)

Set a scanning resolution in the **Resolution (DPI)** field. Higher resolutions take more memory and a longer transfer time, but produce a higher quality scanned image.

### Brightness

Set the brightness level by dragging the slider to the right or left to lighten or darken the image. If the scanned image is too light, set a lower brightness level and scan the document again. If the image is too dark, set a higher brightness level and scan the document again. You can also type a value in the field to set the brightness level.

### Contrast

Increase or decrease the contrast level by moving the slider to the right or left. An increase emphasizes dark and light areas of the image, while a decrease reveals more details in gray areas. You can also type a value in the field to set the contrast level.





## Related Information

- [Scan Using Windows Fax and Scan](#)
-

## Scan from Your Computer (Mac)

- [Scan Using Brother iPrint&Scan \(Windows/Mac\)](#)
- [Scan Using AirPrint \(macOS\)](#)

## Secure Scan

Use the Secure Scan feature to ensure that confidential or sensitive documents are not scanned until you enter your user name and password on your computer or mobile device.

- The Secure Scan feature supports scanning from your computer or mobile device.
- This feature is available only for certain applications and online services.

1. Start Web Based Management. See [Access Web Based Management](#).
2. In the left navigation bar, select **Network > Network > Protocol**.



If the left navigation bar is not visible, start navigating from ☰.

3. Make sure the **Network Scan** checkbox is selected, and then select the **Advanced Settings** option.
  4. Make sure the **Unencrypted Scan Settings** option is set to **Enabled**.
  5. Select **User Restriction Function**.
  6. Select **Secure Function Lock**.
  7. Select **Submit**.
  8. Select the **Restricted Functions** menu.
  9. In the **Public Mode** row, make sure the **Scan** checkbox is unchecked.
  10. In the **User List / Restricted Functions** field, type a group name, and then select the **Scan** checkbox.
  11. Select **Submit**.
  12. Select the **User List** menu, and then configure the User List.
  13. Select **Submit**.
- You have completed the Secure Scan setup.
14. [Load your document](#).
  15. On your computer or mobile device, start your scan operation.



When prompted, type your user name and password.



### Related Information

- [Scan](#)

## Configure Scan Settings Using Web Based Management

- [Set the Scan File Name Using Web Based Management](#)
- [Set the Scan Job Email Report Using Web Based Management](#)

## Set the Scan File Name Using Web Based Management

Set up a file name for scanned data using Web Based Management.

1. Start Web Based Management. See [Access Web Based Management](#).
2. In the left navigation bar, click **Scan > Scan File Name**.



If the left navigation bar is not visible, start navigating from ☰.

3. Select the **File Name Style** from the drop-down list.
4. If you selected the option to include the date in **File Name Style** field, select the date format from the drop-down list.
5. In the **Time** field, select **On** to include the time information in the file name.
6. In the **Counter** field, select **Continuous** or **Reset after each job**.



If you select **Reset after each job**, duplication of file names may occur.

7. If you want to create a user-defined file name prefix, type a file name in the user-defined fields of each scan function.



Do not use the following characters: ? / \ \*

8. Click **Submit**.



### Related Information

- [Configure Scan Settings Using Web Based Management](#)

#### Related Topics:

- [Access Web Based Management](#)

## Set the Scan Job Email Report Using Web Based Management

When you scan a document, the machine will send a scan job email report automatically to the registered email address.

1. Start Web Based Management. See [Access Web Based Management](#).
2. In the left navigation bar, click **Scan > Scan Job e-mail report**.



If the left navigation bar is not visible, start navigating from ☰.

3. In the **Administrator Address** field, type the email address.
4. For the scan functions you want, select **On** to send a scan job email report.
5. Click **Submit**.



### Related Information

- [Configure Scan Settings Using Web Based Management](#)

#### Related Topics:

- [Access Web Based Management](#)

## Copy

- [Copy on One Side of the Paper \(1-sided\)](#)
- [Copy on Both Sides of the Paper \(2-sided\)](#)
- [Enlarge or Reduce Copied Images](#)
- [Make N in 1 Copies Using the Page Layout Feature](#)
- [Interrupt a Print Job with a Copy Job](#)
- [Copy an ID Card](#)
- [Copy Options](#)

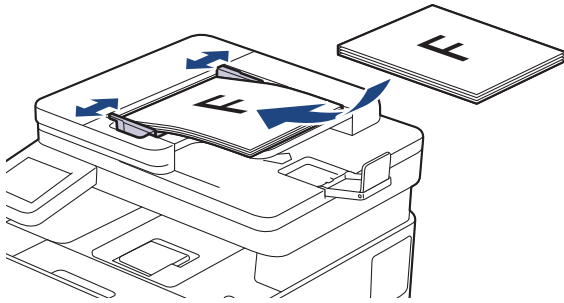
## Copy on One Side of the Paper (1-sided)

>> DCP-L8630CDW/MFC-L8730CDW

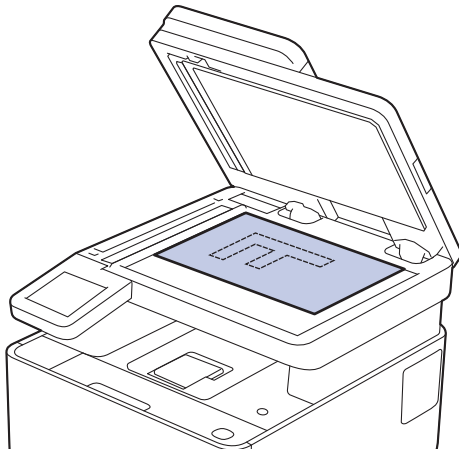
>> MFC-L8930CDW/MFC-L8970CDW/MFC-EX575

### DCP-L8630CDW/MFC-L8730CDW

1. Make sure you have loaded the correct size paper in the paper tray.
2. Do one of the following:
  - Place the document *face up* in the ADF.  
(If you are copying multiple pages, we recommend using the ADF.)



- Place the document *face down* on the scanner glass.



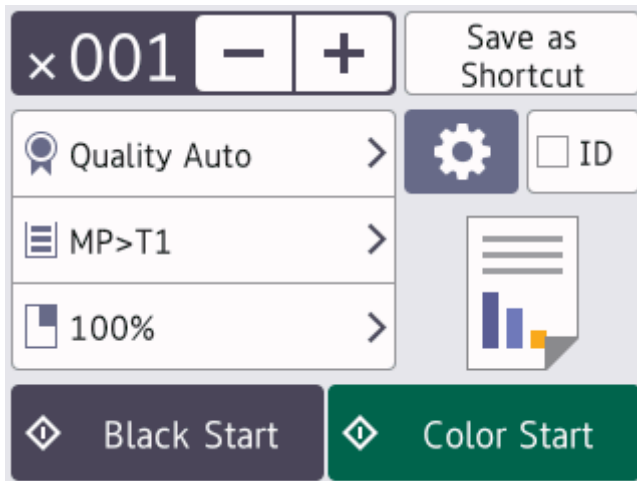
### NOTE

For important or fragile documents, use the machine's scanner glass, not the ADF.




3. Press  [Copy].

The LCD displays:




4. Change the copy settings, if needed.


-  (Number of copies)

Enter the number of copies in one of the following ways:

- Press  or  on the LCD.

- Press  to display a numeric keypad on the LCD, and then enter the number of copies. Press [OK].

-  [Options]

Press  to change the copy settings for the next copy only.


- When finished, press [OK]. (If the [OK] button is displayed.)


- After you have finished choosing new options, you can save them by pressing the [Save as Shortcut] button.




#### Current setting

Press the following display area to change these settings for the next copy only. The icon displayed varies depending on the model.

-  [Quality]

-  [Select Tray]

-  [Enlarge/Reduce]

5. Press [Color Start] or [Black Start].



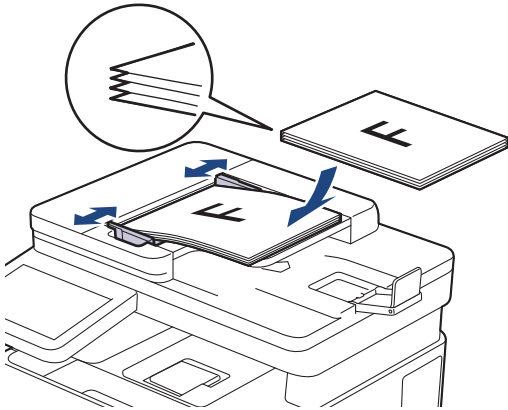
To stop copying, press .

## MFC-L8930CDW/MFC-L8970CDW/MFC-EX575

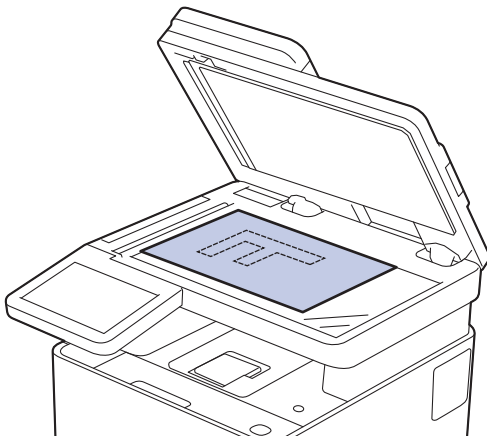
1. Make sure you have loaded the correct size paper in the paper tray.

2. Do one of the following:

- Place the document *face up* in the ADF.  
(If you are copying multiple pages, we recommend using the ADF.)



- Place the document *face down* on the scanner glass.

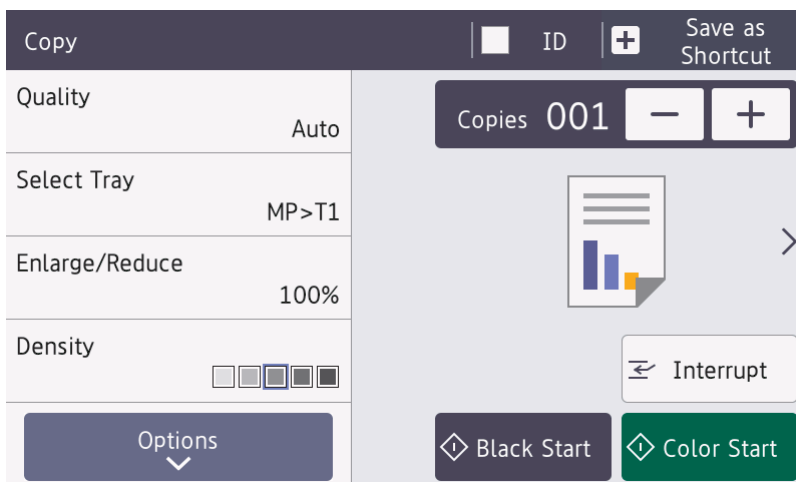


## NOTE

For important or fragile documents, use the machine's scanner glass, not the ADF.

3. Press  [Copy].

The LCD displays:





4. Change the copy settings, if needed.

- **001** (Number of copies)


Enter the number of copies in one of the following ways:

---

- Press  or  on the LCD.

- Press  to display a numeric keypad on the LCD, and then enter the number of copies. Press [OK].

• [Options]

Press  to change the copy settings for the next copy only.

After you have finished choosing new options, you can save them by pressing the [Save as Shortcut] button.



• Quick Copy

Press > to access the preset copy settings.

• Current setting

Press the following display area to change these settings for the next copy only.

- [Quality]

- [Select Tray]


- [Enlarge/Reduce]

- [Density]

---

5. Press [Color Start] or [Black Start].



To stop copying, press .

---



## Related Information

• [Copy](#)

---

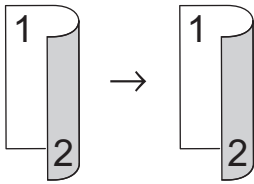
## Copy on Both Sides of the Paper (2-sided)

Reduce the amount of paper you use by copying onto both sides of the paper.

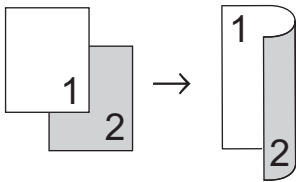
- You must choose a 2-sided copy layout from the following options before you can start 2-sided copying.
- The layout of your original document determines which 2-sided copy layout you should choose.
- (For ADF models) For important or fragile documents, use the machine's scanner glass, not the ADF.
- (For ADF models) To use the automatic 2-sided copy feature, you must load your document in the ADF.
- When you manually make 2-sided copies from a 2-sided document, use the scanner glass.

### Portrait

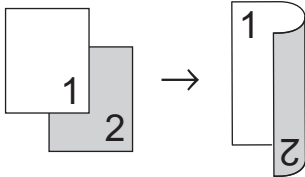
#### 2-sided to 2-sided



#### 1-sided to 2-sided (Long Edge Flip)

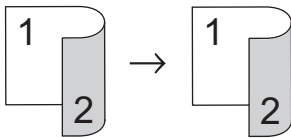


#### 1-sided to 2-sided (Short Edge Flip)

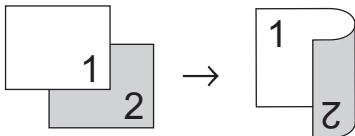


### Landscape

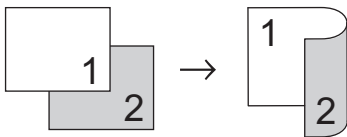
#### 2-sided to 2-sided



#### 1-sided to 2-sided (Long Edge Flip)





#### 1-sided to 2-sided (Short Edge Flip)



1. [Load your document.](#)

## NOTE

(For MFC-L8730CDW/MFC-L8930CDW/MFC-L8970CDW/MFC-EX575) Load your 2-sided document in the ADF. If you use the scanner glass for your 2-sided document, select the [1-sided⇒2-sided] option.

2. Press  [Copy].
3. Enter the number of copies.
4. Press  [Options] > [2-sided Copy].
5. Do one of the following:
  - To make 2-sided copies of a 2-sided document, press [2-sided⇒2-sided].
  - To make 2-sided copies from a 1-sided document, follow these steps:
    - a. To change the layout options, press [Layout], and then press [Long Edge Flip] or [Short Edge Flip].
    - b. Press [1-sided⇒2-sided].
6. When finished, press [OK]. (If the [OK] button is displayed.)
7. Press [Color Start] or [Black Start].

If you placed the document in the ADF, the machine scans the pages and starts printing.
8. **If you are using the scanner glass, repeat the following steps for each page of the document:**



For a 2-sided document, turn the sheet over along the long edge to scan the other side.

- Place the next page on the scanner glass, and then press [Scan] to scan the page.
- After scanning all the pages, press [Print].

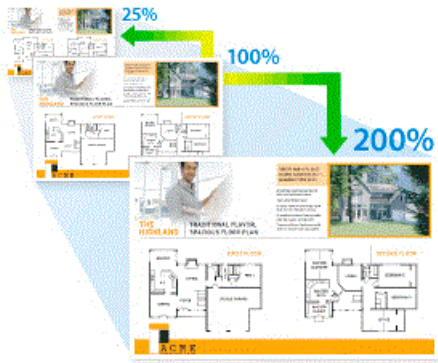




### Related Information

- [Copy](#)

## Enlarge or Reduce Copied Images

Select an enlargement or reduction ratio to resize your copied data.



1. Load your document.
2. Press  [Copy].
3. Enter the number of copies.
4. Press  [Options] > [Enlarge/Reduce].
5. Swipe up or down or press ▲ or ▼ to display the available options, and then press the option you want.
6. Set the value for the option you selected.
7. When finished, press [OK]. (If the [OK] button is displayed.)
8. Press [Color Start] or [Black Start].



### Related Information





- [Copy](#)

## Make N in 1 Copies Using the Page Layout Feature

The N in 1 copy feature saves paper by copying two or four pages of your document onto one page of the copy.



1. Load your document.
2. Press  [Copy].
3. Enter the number of copies.
4. Press  [Options] > [Page Layout].
5. Swipe up or down or press ▲ or ▼ to display the options, and then press the option you want.

Option	Description
2in1 (Portrait)	
2in1 (Landscape)	
4in1 (Portrait)	
4in1 (Landscape)	

6. When finished, press [OK]. (If the [OK] button is displayed.)
7. Press [Color Start] or [Black Start].  
If you placed the document in the ADF, the machine scans the pages and starts printing.
8. If you are using the scanner glass, repeat the following steps for each page of the document:
  - Place the next page on the scanner glass, and then press [Scan] to scan the page.
  - After scanning all the pages, press [Print].

### ✓ Related Information

- [Copy](#)

## Interrupt a Print Job with a Copy Job

**Related Models:** MFC-L8930CDW/MFC-L8970CDW/MFC-EX575

Interrupt the current print job to make urgently needed copies.

### NOTE

This function cannot interrupt printing received faxes. The machine can interrupt the following jobs:

- print jobs from your computer or mobile devices
- copy jobs

1. [Load your document.](#)
2. Press  [Copy].
3. Enter the number of copies.
4. Press [Interrupt].
5. Press [Color Start] or [Black Start].  
If you placed the document in the ADF, the machine scans the pages and starts printing.
6. **If you are using the scanner glass, repeat the following steps for each page of the document:**
  - Place the next page on the scanner glass, and then press [Scan] to scan the page.
  - After scanning all the pages, press [Print].
7. After the machine has printed copies, press [Interrupt] to restart a print job that is waiting.

### Related Information

- [Copy](#)



## Copy an ID Card



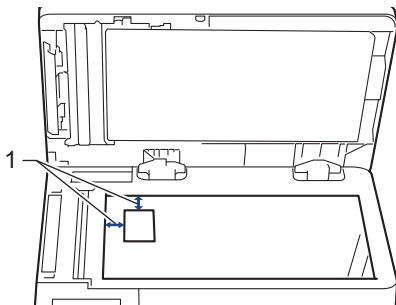
You may copy an identification card only to the extent permitted under applicable laws. For more detailed information, see the *Product Safety Guide*.

>> [DCP-L8630CDW/MFC-L8730CDW](#)


>> [MFC-L8930CDW/MFC-L8970CDW/MFC-EX575](#)

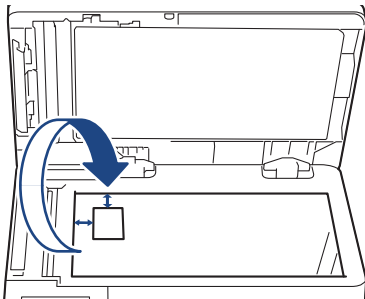
### DCP-L8630CDW/MFC-L8730CDW

1. Place your identification card *face down* near the upper left corner of the scanner glass.



1: Distance 0.16 in. (4.0 mm) or greater (top, left)

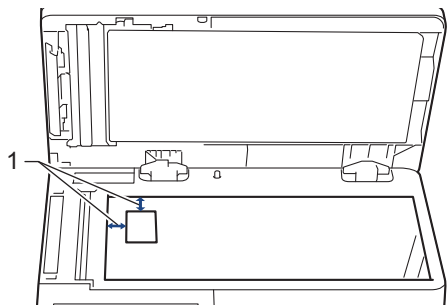
2. Press  [Copy].
3. Press [ID].
4. Enter the number of copies.
5. Press [Color Start] or [Black Start].  
The machine scans one side of the identification card.
6. After the machine has scanned the first side, turn over the identification card.




7. Press [Continue] to scan the other side.

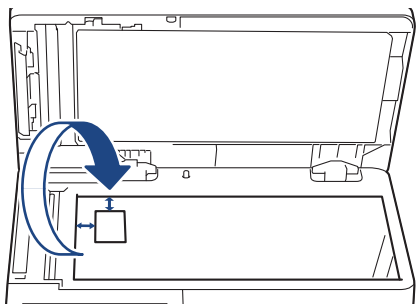
## MFC-L8930CDW/MFC-L8970CDW/MFC-EX575

1. Place your identification card *face down* near the upper left corner of the scanner glass.



1: Distance 0.16 in. (4.0 mm) or greater (top, left)

2. Press  [Copy].
3. Press [ID].
4. Enter the number of copies.
5. Press [Color Start] or [Black Start].  
The machine scans one side of the identification card.
6. After the machine has scanned the first side, turn over the identification card.




7. Press [Continue] to scan the other side.

### Related Information

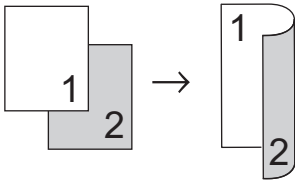
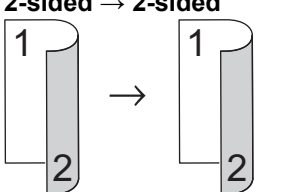
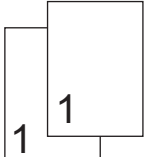
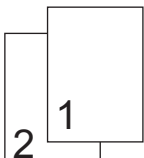
- [Copy](#)

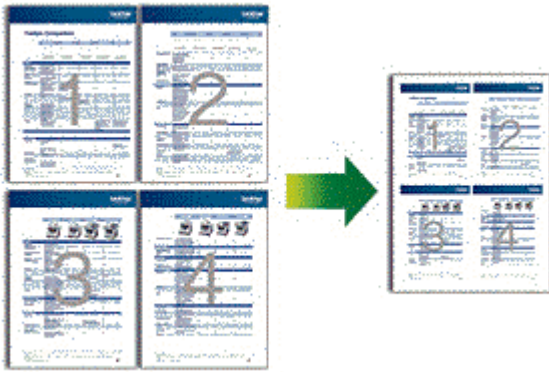
# Copy Options

To change the Copy settings, press  [Options].



Available options may differ depending on your model and settings.

Option	Description	
Quality	Select the copy quality for your type of document.	
Select Tray	Select a paper tray for the next copy.	
Enlarge/Reduce	100%	-
	Enlarge	Select an enlargement ratio for the next copy.
	Reduce	Select a reduction ratio for the next copy.
	Custom (25-400%)	Enter an enlargement or reduction ratio.
Density	Increase the density to make the text darker. Decrease the density to make the text lighter.	
Remove Background Color	Select to remove the background color of the document when copying.	
2-sided Copy	Select to copy on both sides of the paper. <b>1-sided → 2-sided</b>  <b>2-sided → 2-sided</b>  The available options will vary depending on your model.	
2-sided Copy Page Layout (Available only under certain settings)	Select long edge binding or short edge binding.	
Contrast	Increase the contrast to make an image clearer. Decrease the contrast to make an image more subdued.	
Stack/Sort	Select to stack or sort multiple copies. <b>Stack</b>  <b>Sort</b> 	

Option	Description
Page Layout	<p>Make N in 1 copies.</p> <p><b>4 in 1</b></p>  <p>The diagram illustrates the '4 in 1' page layout option. On the left, four separate pages are shown, each containing a large number (1, 2, 3, or 4) and some text. A green arrow points to the right, where a single page is shown containing all four pages' content arranged in a 2x2 grid.</p>
Auto Deskew	Set the machine to automatically correct skewed copies.
Color Adjust	Change the default setting for color saturation.



### Related Information

- [Copy](#)

## Fax

**Related Models:** MFC-L8730CDW/MFC-L8930CDW/MFC-L8970CDW/MFC-EX575

- [Initial Fax Setup and Telephone Services](#)
- [Send a Fax](#)
- [Receive a Fax](#)
- [Fax Numbers](#)
- [Fax Reports](#)
- [External Devices](#)
- [PC-FAX](#)
- [I-Fax \(Fax Using the Internet\)](#)

## Initial Fax Setup and Telephone Services


**Related Models:** MFC-L8730CDW/MFC-L8930CDW/MFC-L8970CDW/MFC-EX575

- [Set Your Station ID](#)
- [Set Tone or Pulse Dialing Mode \(For Canada\)](#)
- [Add a Prefix to Every Fax Number](#)

## Set Your Station ID

**Related Models:** MFC-L8730CDW/MFC-L8930CDW/MFC-L8970CDW/MFC-EX575

Set the machine to print your Station ID and the fax's date and time at the top of each fax you send.


1. Press  [Settings] > [All Settings] > [Initial Setup] > [Station ID] > [Fax].




If your machine displays the [All Settings] menu on the Home screen, skip the [Settings] menu.


2. Enter your fax number (up to 20 digits) using the LCD, and then press [OK].
3. Press [Tel].
4. Enter your telephone number (up to 20 digits) using the LCD, and then press [OK].
5. Press [Name].
6. Enter your name (up to 20 characters) using the LCD, and then press [OK].



- Press  to cycle between letters, numbers and special characters. (The characters available may differ depending on your country.)

If your machine displays   #+= , press   #+= .

- If you enter an incorrect character, press ◀ or ▶ to move the cursor to it and press . Press the correct character.
- To enter a space, press [Space] or ▶.
- For more detailed information, see *Related Information*.

7. Press .



### Related Information

- [Initial Fax Setup and Telephone Services](#)

#### Related Topics:


- [How to Enter Text on Your Machine](#)

## Set Tone or Pulse Dialing Mode (For Canada)

**Related Models:** MFC-L8730CDW/MFC-L8930CDW/MFC-L8970CDW/MFC-EX575


Your machine is set for a Tone dialing service. If you have a Pulse dialing (rotary) service, you must change the dialing mode.

This feature is not available in some countries.

1. Press  [Settings] > [All Settings] > [Initial Setup] > [Tone/Pulse].



If your machine displays the [All Settings] menu on the Home screen, skip the [Settings] menu.

2. Press [Tone] or [Pulse].
3. Press .



### Related Information

- [Initial Fax Setup and Telephone Services](#)




## Add a Prefix to Every Fax Number

**Related Models:** MFC-L8730CDW/MFC-L8930CDW/MFC-L8970CDW/MFC-EX575

The Dial Prefix setting will automatically dial a predefined number before every fax number you dial. For example: If your telephone system requires a 9 to dial an outside number, use this setting to automatically dial 9 for every fax you send.



- Use the numbers and symbols from 0 to 9, #, and \*. (You cannot use ! with any other numbers or symbols.)
- If your telephone system requires a time break recall (hookflash), press ! on the LCD.
- (Canada only) If pulse dialing mode is on, # and \* are not available to use.

1. Press  [Settings] > [All Settings] > [Initial Setup] > [Dial Prefix].



If your machine displays the [All Settings] menu on the Home screen, skip the [Settings] menu.


2. Press [On] or [Off].

Option	Description
On	To activate the prefix number setting, select On. If you selected On, go to the next step to set a prefix number.
Off	To deactivate the prefix number setting, select Off. If you selected Off, press  to exit.

3. Press [Dial Prefix].

4. Enter a prefix number (up to five digits) using the LCD, and then press [OK].



To change a number, press ◀ or ▶ to position the cursor to highlight the incorrect number, and then press . Enter the new number.

Repeat until the prefix number is correct, and then press [OK].

5. Press .



### Related Information

- [Initial Fax Setup and Telephone Services](#)

## Send a Fax

**Related Models:** MFC-L8730CDW/MFC-L8930CDW/MFC-L8970CDW/MFC-EX575

- [Send a Fax](#)
- [Send a Fax Manually](#)
- [Send the Same Fax to More than One Recipient \(Broadcasting\)](#)
- [Fax Options](#)


## Send a Fax

**Related Models:** MFC-L8730CDW/MFC-L8930CDW/MFC-L8970CDW/MFC-EX575

1. [Load your document.](#)

2. Press  [Fax].




If the Fax Preview option is set to [On], press  [Fax] > [Sending Faxes].


3. Enter the fax number.

- **Using the dial pad**

Press the digits to enter the fax number.


- **Using the Address Book**

Press  [Address Book], and then do one of the following:

- Swipe up or down or press ▲ or ▼ to display the number you want, and then press it.
- Press  [Search:], and then enter the name or the first letter of the name and press [OK]. Press the name you want to dial.

When finished, press [Apply].

- **Using the Call History**

Press  [Call History], and then press the [Outgoing Call] option.

Swipe up or down or press ▲ or ▼ to display the fax number you want, and then press it.

To send a fax, press [Apply].



To change the fax-sending settings, press  [Options].

For more information, see *Related Information*.

4. Press [Fax Start].

The machine scans and sends the document.

**If you placed the document on the scanner glass, follow the instructions in the table.**

Option	Description
Yes	To scan the next page, press the Yes option, and then place the next page on the scanner glass. Press OK to scan the page.
No	After you have scanned the last page, press the No option. The machine sends the document.

To stop faxing, press , and then press .

When the LCD displays [Cancel Job?], press [Yes].



### Related Information

- [Send a Fax](#)


#### Related Topics:

- [Fax Options](#)


## Send a Fax Manually

**Related Models:** MFC-L8730CDW/MFC-L8930CDW/MFC-L8970CDW/MFC-EX575

Manual fax transmission lets you hear the dialing, ringing and fax-receiving tones while sending a fax.

1. [Load your document.](#)
2. Press  [Fax].



If the Fax Preview option is set to [On], press  [Fax] > [Sending Faxes].

3. Press [Hook] and listen for a dial tone.
4. Dial the fax number you want to call.
5. When you hear the fax tone, press [Fax Start].  
If you are using the scanner glass, press [Send].



### Related Information

- [Send a Fax](#)

## Send the Same Fax to More than One Recipient (Broadcasting)

**Related Models:** MFC-L8730CDW/MFC-L8930CDW/MFC-L8970CDW/MFC-EX575

Use the Broadcasting feature to send the same fax to multiple fax numbers at the same time.

- The same broadcast can include Groups, Address Book numbers, and up to 50 manually dialed numbers.
- Address Book numbers must be stored in the machine's memory before they can be used in a broadcast.
- Group numbers must also be stored in the machine's memory before they can be used in a broadcast. Group numbers include many stored Address Book numbers for easier dialing.





If you did not use any of the Address Book numbers for Groups, you can broadcast faxes to the maximum number of locations supported by your machine. For information about the broadcasting locations, see *Related Information: Specifications*.

1. Load your document.

2. Press  [Fax].



If the Fax Preview option is set to [On], press  [Fax] > [Sending Faxes].

3. Press  [Options] > [Broadcasting].

4. Press [Add Number].

You can add numbers to the broadcast in the following ways:

- Press [Add Number] and enter a number using the LCD.  
Press [OK].



If you want to broadcast using an email address, press , enter the email address, and press [OK].

(On certain models, you must download Internet Fax to use the Internet Fax feature and the Scan to Email server feature.)

- Press [Add from Address book]. Swipe up or down or press ▲ or ▼ to display the number you want to add to the broadcast. Select the checkboxes of the broadcast. After you select all the numbers you want, press [OK].
- Press [Search in Address book]. Press the name or the first letter of the name, and then press [OK]. Press the name, and then press the number you want to add.


5. When finished, press [OK].



If your machine displays , press it.

6. Press [Fax Start].



- The machine's available memory will vary depending on the types of jobs in the memory and the numbers used for broadcasting. If you broadcast to the maximum number available, you will not be able to use dual access and delayed fax.
- If the [Out of Memory] message appears, press  or [Quit] to stop the job. If more than one page has been scanned, press [Send Now] to send the portion that is in the machine's memory.



## Related Information

- [Send a Fax](#)

### **Related Topics:**

- [Specifications](#)
-

## Fax Options

**Related Models:** MFC-L8730CDW/MFC-L8930CDW/MFC-L8970CDW/MFC-EX575

To change the fax-sending settings, press  [Options].



Available options may differ depending on your model and settings.

Option	Description
Fax Resolution	Set the resolution for outgoing faxes. The fax quality often can be improved by changing the Fax Resolution.
Sender Subject	Edit the subject of an outgoing fax.
Contrast	Adjust the contrast. If your document is very light or very dark, changing the contrast may improve the fax quality.
2-sided Fax (For automatic 2-sided scanning models)	Set the 2-sided scanning format.
Glass Scan Size	Adjust the scan area of the scanner glass to the size of the document.
Broadcasting	Send the same fax message to more than one fax number at the same time.
Preview	Preview a fax message before you send it.
Delayed Fax	Set the time of day the delayed faxes will be sent.
Real Time TX	Send a fax immediately without waiting for the machine to retrieve the scan from its memory.
Coverpage Setup	Set the machine to automatically send a pre-programmed cover page.
Overseas Mode	Set to On if you have difficulty sending faxes overseas.
Call History	Select a number from the Call History.
Address Book	Select a number from the Address Book.
Set New Default	Save your settings as the default.
Factory Reset	Restore all settings back to the factory settings.



You can save the current settings by pressing [Save as Shortcut].



### Related Information

- [Send a Fax](#)

## Receive a Fax

**Related Models:** MFC-L8730CDW/MFC-L8930CDW/MFC-L8970CDW/MFC-EX575

- [Receive Mode Settings](#)
- [Memory Receive Options](#)



## Receive Mode Settings

**Related Models:** MFC-L8730CDW/MFC-L8930CDW/MFC-L8970CDW/MFC-EX575

- [Receive Modes Overview](#)
- [Choose the Correct Receive Mode](#)
- [Set the Number of Rings Before the Machine Answers \(Ring Delay\)](#)
- [Set the F/T Ring Time \(Pseudo/Double-ring\)](#)
- [Set Easy Receive](#)

## Receive Modes Overview

**Related Models:** MFC-L8730CDW/MFC-L8930CDW/MFC-L8970CDW/MFC-EX575

Some receive modes answer automatically (Fax Only Mode and Fax/Tel Mode). You may want to change the Ring Delay before using these modes.

### Fax Only Mode

([Fax Only] in the machine's menu)

Fax Only Mode automatically answers every call as a fax.

### Fax/Tel Mode

([Fax/Tel] in the machine's menu)

Fax/Tel Mode helps you manage incoming calls, by recognizing whether they are fax or voice calls and handling them in the following ways:

- Faxes will be received automatically.
- Voice calls will start the F/T ring to tell you to pick up the call. The F/T ring is a fast pseudo/double-ring made by your machine.

### Manual Mode

([Manual] in the machine's menu)

Manual Mode turns off all automatic answering operations unless you are using the Distinctive Ring Receive feature.

To receive a fax in Manual Mode, lift the handset of the external telephone connected to the machine or press the button in the table.

Applicable Models	Alternate way to lift the handset
MFC-L8730CDW/MFC-L8930CDW/MFC-L8970CDW/MFC-EX575	Hook

When you hear fax tones (short repeating beeps), press the buttons in the table to receive a fax. Use the Easy Receive feature to receive faxes when you have lifted a handset on the same line as the machine.

Applicable Models	To receive a fax
MFC-L8730CDW/MFC-L8930CDW/MFC-L8970CDW/MFC-EX575	Fax Start > Receive

### External TAD Mode

([External TAD] in the machine's menu)

External TAD Mode lets an external answering device manage your incoming calls.

Incoming calls will be handled in the following ways:

- Faxes will be received automatically.
- Voice callers can record a message on the external TAD.



### Related Information

- [Receive Mode Settings](#)

## Choose the Correct Receive Mode

**Related Models:** MFC-L8730CDW/MFC-L8930CDW/MFC-L8970CDW/MFC-EX575

The correct Receive Mode for you is determined by the external devices and telephone subscriber services (Voice Mail, Distinctive Ring and so on) you will be using on the same line as your machine.

### Will you be using a Distinctive Ring number for receiving faxes?

Brother uses the term "Distinctive Ring" but different telephone companies may have other names for this service, such as Custom Ringing, Personalized Ring, Teen Ring, Ident-A-Ring, Ident-A-Call, Data Ident-A-Call, Smart Ring and SimpleBiz Fax & Alternate Number Ringing.

### Will you be using Voice Mail on the same telephone line as your Brother machine?

If you have Voice Mail on the same telephone line as your Brother machine, there is a strong possibility that Voice Mail and the Brother machine will conflict with each other when receiving incoming calls.

### Will you be using a Telephone Answering Device on the same telephone line as your Brother machine?

Your external telephone answering device (TAD) will answer every call automatically. Voice messages are stored on the external TAD and fax messages are printed. Select [External TAD] as your receive mode.

### Will you be using your Brother machine on a dedicated fax line?

Your machine automatically answers every call as a fax. Select [Fax Only] as your receive mode.

### Will you be using your Brother machine on the same line as your telephone?


#### • Do you want to receive voice calls and faxes automatically?

The Fax/Tel Mode is used when sharing the Brother machine and your telephone on the same line. Select [Fax/Tel] as your receive mode.

**Important Note:** You cannot receive voice messages on either Voice Mail or an answering machine if you selected the Fax/Tel Mode.

#### • Do you expect to receive very few faxes?

Choose [Manual] as your receive mode. You control the telephone line and must answer every call yourself.

1. Press  [Settings] > [All Settings] > [Fax] > [Setup Receive] > [Receive Mode].




If your machine displays the [All Settings] menu on the Home screen, skip the [Settings] menu.



If you cannot change the [Receive Mode] option, make sure the Distinctive Ring feature is set to [Off].

2. Press [Fax Only], [Fax/Tel], [External TAD], or [Manual].

3. Press .



### Related Information


- [Receive Mode Settings](#)


## Set the Number of Rings Before the Machine Answers (Ring Delay)

**Related Models:** MFC-L8730CDW/MFC-L8930CDW/MFC-L8970CDW/MFC-EX575


When somebody calls your machine, you will hear the normal telephone ring sound. The number of rings is set in the Ring Delay option.

- The Ring Delay setting sets the number of times the machine rings before it answers in the Fax Only and Fax/Tel Modes.
- If you have external or extension telephones on the same line as the machine, keep the Ring Delay setting of 4.

1. Press  [Settings] > [All Settings] > [Fax] > [Setup Receive] > [Ring Delay].

 If your machine displays the [All Settings] menu on the Home screen, skip the [Settings] menu.

2. Press the number of rings you want.

 If you select [0], the machine will answer immediately and the line will not ring at all (available only for some countries).

3. Press .

### Related Information

- [Receive Mode Settings](#)


## Set the F/T Ring Time (Pseudo/Double-ring)

**Related Models:** MFC-L8730CDW/MFC-L8930CDW/MFC-L8970CDW/MFC-EX575

When you set the Receive Mode to Fax/Tel Mode, if the call is a fax, your machine will automatically receive it. However, if it is a voice call, the machine will sound the F/T ring (pseudo/double-ring) for the time you set in the F/T Ring Time option. When you hear the F/T ring, it means that a voice caller is on the line.


The F/T Ring Time feature works when you set Fax/Tel Mode as the Receive Mode.

Because the F/T ring is made by the machine, extension and external telephones will not ring; however, you can still answer the call on any telephone.

1. Press  [Settings] > [All Settings] > [Fax] > [Setup Receive] > [F/T Ring Time].



If your machine displays the [All Settings] menu on the Home screen, skip the [Settings] menu.

2. Press how long you want the machine to ring to alert you that you have a voice call.
3. Press .



Even if the caller hangs up during the pseudo/double-ringing, the machine will continue to ring for the set time.



### Related Information

- [Receive Mode Settings](#)

## Set Easy Receive

**Related Models:** MFC-L8730CDW/MFC-L8930CDW/MFC-L8970CDW/MFC-EX575


**If Easy Receive is On:** The machine can receive a fax automatically, even if you answer the call. When you see [Receiving] on the LCD or hear a click on the phone line through the handset you are using, just replace the handset. Your machine will do the rest.

**If Easy Receive is Off:** If you are at the machine and answer a fax call first by lifting the external handset, press the buttons in the following table to receive the fax. If you answered at an extension telephone, press \*51.

Applicable Models	To receive the fax
MFC-L8730CDW/MFC-L8930CDW/MFC-L8970CDW/ MFC-EX575	Fax Start > Receive



- If this feature is set to [On], but your machine does not connect a fax call when you lift an extension or external telephone handset, press the fax receive code \*51.
- If you send faxes from a computer on the same telephone line and the machine intercepts them, set Easy Receive to [Off].

1. Press  [Settings] > [All Settings] > [Fax] > [Setup Receive] > [Easy Receive].



If your machine displays the [All Settings] menu on the Home screen, skip the [Settings] menu.

2. Press [On] or [Off].

3. Press .



### Related Information

- [Receive Mode Settings](#)

## Memory Receive Options

**Related Models:** MFC-L8730CDW/MFC-L8930CDW/MFC-L8970CDW/MFC-EX575

Use the Memory Receive options to direct incoming faxes while you are away from the machine. You can use only one Memory Receive option at a time.

Memory Receive can be set to:

- PC-Fax Receive
- Fax Forwarding
- Fax Storage
- Forward to Cloud (The machine forwards your received faxes to online services.)
- Forward to Network (The machine forwards your received faxes to a network destination.)
- Off

For more information, see *Related Information*.



### Related Information

- [Receive a Fax](#)

#### Related Topics:

- [Settings Tables \(MFC-L8730CDW\)](#)
- [Settings Tables \(MFC-L8930CDW/MFC-L8970CDW/MFC-EX575\)](#)
- [Forward Incoming Faxes to a Network Destination](#)

## Fax Numbers

**Related Models:** MFC-L8730CDW/MFC-L8930CDW/MFC-L8970CDW/MFC-EX575

- [Store Fax Numbers](#)
- [Set up Broadcasting Groups](#)




## Store Fax Numbers

**Related Models:** MFC-L8730CDW/MFC-L8930CDW/MFC-L8970CDW/MFC-EX575


- [Store Address Book Numbers](#)
- [Change or Delete Address Book Names or Numbers](#)

## Store Address Book Numbers


**Related Models:** MFC-L8730CDW/MFC-L8930CDW/MFC-L8970CDW/MFC-EX575

1. Press  [Fax] > [Address Book].
2. Do the following steps:
  - a. Press [Edit].
  - b. Press [Add New Address].
  - c. Press [Name].
  - d. Enter the name using the LCD (up to 16 characters), and then press [OK].
  - e. Press [Address].
  - f. Enter the fax or telephone number using the LCD (up to 20 digits), and then press [OK].



To store an email address to use with Internet Fax or Scan to Email server, press  and enter the email address and press [OK].

(On certain models, you must download Internet Fax to use the Internet Fax feature and the Scan to Email server feature.)

- g. Press [OK].To store another Address Book number, repeat these steps.
3. Press .




### Related Information

- [Store Fax Numbers](#)


## Change or Delete Address Book Names or Numbers

**Related Models:** MFC-L8730CDW/MFC-L8930CDW/MFC-L8970CDW/MFC-EX575

1. Press  [Fax] > [Address Book] > [Edit].
2. Do one of the following:  
Press [Change] to edit the names or fax or telephone numbers.  
Swipe up or down or press ▲ or ▼ to display the number you want to change, and then press it.
  - To change the name, press [Name]. Enter the new name (up to 16 characters) using the LCD, and then press [OK].
  - To change the fax or telephone number, press [Address]. Enter the new fax or telephone number (up to 20 digits) using the LCD, and then press [OK].Press [OK] to finish.




### How to enter text:

To change a character, press ◀ or ▶ to position the cursor to highlight the incorrect character, and then press .

Enter the new character.

To delete numbers, press [Delete].

Select the fax or telephone numbers you want to delete by pressing them to display a check mark, and then press [OK].

3. Press .



### Related Information

- [Store Fax Numbers](#)


## Set up Broadcasting Groups

**Related Models:** MFC-L8730CDW/MFC-L8930CDW/MFC-L8970CDW/MFC-EX575

A broadcasting group can be stored in the Address Book. It allows you to send the same fax message to many fax numbers.

Store fax numbers in the Address Book and add them to a broadcasting group as needed.

Applicable Models	Maximum number of groups	Maximum numbers in a group
MFC-L8730CDW/MFC-L8930CDW/ MFC-L8970CDW/MFC-EX575	20	299

1. Press  [Fax] > [Address Book].
2. Do the following steps:
  - a. Press [Edit] > [Setup Groups] > [Name].
  - b. Enter the Group name (up to 16 characters) using the LCD, and then press [OK].
  - c. Press [Add/Delete].
  - d. Add Address Book numbers to the Group by pressing them to display a check mark, and then press [OK].
  - e. Read and confirm the displayed list of names and numbers you have chosen, and then press [OK] to save your Group.

To store another Group for broadcasting, repeat these steps.

3. Press .



### Related Information

- [Fax Numbers](#)

## Fax Reports

**Related Models:** MFC-L8730CDW/MFC-L8930CDW/MFC-L8970CDW/MFC-EX575

- [Print a Transmission Verification Report](#)
- [Print a Fax Journal](#)


## Print a Transmission Verification Report

**Related Models:** MFC-L8730CDW/MFC-L8930CDW/MFC-L8970CDW/MFC-EX575

You can use the Transmission Verification Report as proof that you sent a fax. This report lists the receiving party's name or fax number, the time and date of transmission, duration of transmission, number of pages sent, and whether or not the transmission was successful.

There are several settings available for the Transmission Verification Report:

On	Prints a report after every fax you send.
On (+Image)	Prints a report after every fax you send. A portion of the fax's first page appears on the report.
Error only	Prints a report if your fax is unsuccessful due to a transmission error.
Error only (+Image)	Prints a report if your fax is unsuccessful due to a transmission error. A portion of the fax's first page appears on the report.
Off	Your machine does not print any reports after sending faxes.


1. Press  [Settings] > [All Settings] > [Fax] > [Report Setting] > [Transmission].



If your machine displays the [All Settings] menu on the Home screen, skip the [Settings] menu.

2. Press the option you want.

If you select [On (+Image)] or [Error only (+Image)], the image will not appear on the Transmission Verification Report if Real Time Transmission is set to [On].

3. Press .

If the transmission is successful, OK appears next to RESULT on the Transmission Verification Report. If the transmission is not successful, NG appears next to RESULT.




### Related Information

- [Fax Reports](#)

## Print a Fax Journal



**Related Models:** MFC-L8730CDW/MFC-L8930CDW/MFC-L8970CDW/MFC-EX575

You can set the machine to print a Fax Journal at specific intervals (every 50 faxes, 6, 12 or 24 hours, 2 or 7 days).

1. Press  [Settings] > [All Settings] > [Fax] > [Report Setting] > [Journal Period] > [Journal Period].



If your machine displays the [All Settings] menu on the Home screen, skip the [Settings] menu.

2. Swipe up or down or press ▲ or ▼ to select the interval you want, and then press it.
  - Every 6, 12, 24 hours, 2 or 7 days  
The machine will print the report at the selected time and then erase all reception and transmission log data from its memory. If the machine's memory becomes full with 200 log data before the time you selected has passed, the machine will print the Journal early and then erase all jobs from the memory. If you want an extra report before it is due to print, you can print it without erasing the log data from the memory.
  - Every 50 Faxes  
The machine will print the Journal when the machine has stored 50 reception and transmission log data.
3. If you selected every 6, 12, 24 hours, 2 or 7 days, do one of the following to enter the time to start printing:
  - If you selected [12h Clock] as the format in the [Clock Type] setting, press [Time], and then enter the time to start printing (in 12-hour format) using the LCD. Press  to select [AM] or [PM].  
Press [OK].
  - If you set [24h Clock] in the [Clock Type] setting, press [Time], and then enter the time to start printing (in 24-hour format) using the LCD.  
Press [OK].  
(For example: enter 19:45 for 7:45 PM.)
4. If you selected [Every 7 Days], press [Day].
5. Swipe up or down or press ▲ or ▼ to display the [Every Monday], [Every Tuesday], [Every Wednesday], [Every Thursday], [Every Friday], [Every Saturday] or [Every Sunday] option, and then press the first day of the 7-day countdown.
6. Press .



### Related Information

- [Fax Reports](#)

## External Devices

**Related Models:** MFC-L8730CDW/MFC-L8930CDW/MFC-L8970CDW/MFC-EX575

For more information about External Devices, go to your model's *External Devices Guide* at [support.brother.com/g/s/id/html/doc/common/exdevs\\_laser/use/index.html](http://support.brother.com/g/s/id/html/doc/common/exdevs_laser/use/index.html).



## PC-FAX

**Related Models:** MFC-L8730CDW/MFC-L8930CDW/MFC-L8970CDW/MFC-EX575

For more information about PC-FAX features, go to your model's *PC-FAX Guide* at [support.brother.com/g/s/id/html/doc/common/pcfax/use/index.html](http://support.brother.com/g/s/id/html/doc/common/pcfax/use/index.html).

## I-Fax (Fax Using the Internet)

**Related Models:** MFC-L8730CDW/MFC-L8930CDW/MFC-L8970CDW/MFC-EX575

For more information about Internet Fax (I-Fax) features, go to your model's *I-FAX Guide* at [support.brother.com/g/s/id/html/doc/common/ifax\\_laser/use/index.html](http://support.brother.com/g/s/id/html/doc/common/ifax_laser/use/index.html).

## Network

- [Supported Basic Network Features](#)
- [Configure Network Settings](#)
- [Wireless Network Settings](#)
- [Network Features](#)
- [Brother Management Tools](#)

## Supported Basic Network Features

The machine supports various features depending on the operating system. Use this table to see which network features and connections are supported by each operating system.

Operating Systems	Windows	Windows Server	macOS
Printing	Yes	Yes	Yes
Scanning	Yes		Yes
PC Fax Send (available for certain models)	Yes		Yes
PC Fax Receive (available for certain models)	Yes		
Web Based Management <sup>1</sup>	Yes	Yes	Yes

<sup>1</sup> The default password to manage your machine's settings is located on the back of the machine and marked "Pwd". We recommend immediately changing the default password to protect your machine from unauthorized access.



- When connecting your machine to an outside network such as the Internet, make sure your network environment is protected by a separate firewall or other means in order to prevent information leaks due to inadequate settings or unauthorized access by malicious third parties.
- When your machine is connected to the global network, a warning appears. When you see this warning, we strongly recommend confirming your network settings, and then re-connecting to a secure network.
- Enabling your machine's global network communication filtering feature blocks access from the global network. The global network communication filtering feature may prevent the machine from receiving certain print or scan jobs from a computer or mobile device that uses a global IP address.



### Related Information

- [Network](#)

#### Related Topics:

- [Change the Login Password Using Web Based Management](#)

## Configure Network Settings


- [Configure Network Details Using the Control Panel](#)
- [Change Machine Settings Using Web Based Management](#)

## Configure Network Details Using the Control Panel

To configure the machine for your network, use the control panel's [Network] menu selections.



- For information about the network settings you can configure using the control panel, see *Related Information: Settings Tables*.
- You can also use Web Based Management, to configure and change your machine's network settings.

1. Press  [Settings] > [All Settings] > [Network].



If your machine displays the [All Settings] menu on the Home screen, skip the [Settings] menu.

2. Swipe up or down or press ▲ or ▼ to display the network option you want, and then press it. Repeat this step until you access the menu you want to configure, and then follow the LCD instructions.



### Related Information

- [Configure Network Settings](#)

#### Related Topics:

- [Settings Tables \(MFC-L8730CDW\)](#)
- [Settings Tables \(DCP-L8630CDW\)](#)
- [Supported Basic Network Features](#)

## Wireless Network Settings

- [Use the Wireless Network](#)
- [Use Wi-Fi Direct<sup>®</sup>](#)
- [Enable/Disable Wireless LAN](#)
- [Print the WLAN Report](#)

## Use the Wireless Network

- [Before Configuring Your Machine for a Wireless Network](#)
- [Configure Your Machine for a Wireless Network Using the Setup Wizard from Your Computer](#)
- [Configure Your Machine for a Wireless Network Using the Machine's Control Panel Setup Wizard](#)
- [Configure Your Machine for a Wireless Network Using the One Push Method of Wi-Fi Protected Setup™ \(WPS\)](#)
- [Configure Your Machine for a Wireless Network Using the PIN Method of Wi-Fi Protected Setup™ \(WPS\)](#)
- [Configure Your Machine for a Wireless Network When the SSID Is Not Broadcast](#)
- [Configure Your Machine for an Enterprise Wireless Network](#)



## Before Configuring Your Machine for a Wireless Network

Before attempting to configure a wireless network, confirm the following:

- If you are using an enterprise wireless network, you must know the User ID and Password.
- To achieve optimum results with normal everyday document printing, place your machine as close to the wireless LAN access point/router as possible with minimal obstructions. Large objects and walls between the two devices and interference from other electronic devices can affect the data transfer speed of your documents.

Due to these factors, wireless may not be the best method of connection for all types of documents and applications. If you are printing large files, such as multi-page documents with mixed text and large graphics, you may want to consider selecting wired Ethernet for faster data transfer (supported models only), or USB for the fastest throughput speed.

- Although your machine can be used in a wired and wireless network (supported models only), only one connection method can be used at a time. However, a wireless network connection and Wi-Fi Direct connection, or a wired network connection (supported models only) and Wi-Fi Direct connection can be used at the same time.
- If there is a signal in the vicinity, wireless LAN allows you to freely make a LAN connection. However, if security settings are not correctly configured, the signal may be intercepted by malicious third-parties, possibly resulting in:
  - Theft of personal or confidential information
  - Improper transmission of information to parties impersonating the specified individuals
  - Dissemination of transcribed communication contents that were intercepted



Make sure you know your wireless router/access point's Network Name (SSID) and Network Key (Password). If you cannot find this information, consult the manufacturer of your wireless router/access point, your system administrator, or Internet provider. Brother cannot provide this information.



### Related Information

- [Use the Wireless Network](#)

## Configure Your Machine for a Wireless Network Using the Setup Wizard from Your Computer

1. Download the installer from your model's **Downloads** page at [support.brother.com/downloads](http://support.brother.com/downloads).
2. Start the installer, and then follow the on-screen instructions.
3. Select **Wireless Network Connection (Wi-Fi)**, and then click **Next**.
4. Follow the on-screen instructions.

You have completed the wireless network setup.



### Related Information

- [Use the Wireless Network](#)
-

## Configure Your Machine for a Wireless Network Using the Machine's Control Panel Setup Wizard

Before configuring your machine, we recommend writing down your wireless network settings. You will need this information before you continue with the configuration.

1. Check and record the current wireless network settings of the computer to which you are connecting.

Network Name (SSID)	Network Key (Password)

For example:


Network Name (SSID)	Network Key (Password)
HELLO	12345



- Your access point/router may support the use of multiple WEP keys, but your Brother machine supports the use of only the first WEP key.
- If you need assistance during setup and want to contact Brother Customer Service, make sure you have your SSID (Network Name) and Network Key (Password) ready. We cannot assist you in locating this information.
- If you do not know this information (SSID and Network Key), you cannot continue with the wireless setup.

### How can I find this information?

- a. Check the documentation provided with your wireless access point/router.
- b. The initial SSID could be the manufacturer's name or the model name.
- c. If you do not know the security information, consult the router manufacturer, your system administrator, or your Internet provider.

2. Press  [Settings] > [All Settings] > [Network] > [WLAN (Wi-Fi)] > [Find Wi-Fi Network].




If your machine displays the [All Settings] menu on the Home screen, skip the [Settings] menu.

3. When [Switch Network interface to wireless?] appears, press [Yes].  
This will start the wireless setup wizard. To cancel, press [No].
4. The machine searches for your network and display a list of available SSIDs.  
If a list of SSIDs is displayed, swipe up or down or press ▲ or ▼ to display the SSID to which you want to connect, and then press the SSID.



If the SSID you want is not displayed, press [Search again] to search your network again.

5. Press [OK].
6. If required, enter the Network Key you wrote down in the first step, and then press [OK].
7. The machine attempts to connect to the wireless device you have selected.

If your wireless device is connected successfully, the machine's LCD displays [Connected]. Press [OK], and then press .

You have completed the wireless network setup. To install the drivers or the application necessary for operating your machine, go to your model's **Downloads** page at [support.brother.com/downloads](http://support.brother.com/downloads).



## Related Information

- [Use the Wireless Network](#)

### **Related Topics:**

- [How to Enter Text on Your Machine](#)
  - [Wireless LAN Report Error Codes](#)
-

## Configure Your Machine for a Wireless Network Using the One Push Method of Wi-Fi Protected Setup™ (WPS)


If your wireless access point/router supports WPS (PBC: Push Button Configuration), you can use WPS from your machine's control panel menu to configure your wireless network settings.

1. Press  [Settings] > [All Settings] > [Network] > [WLAN (Wi-Fi)] > [WPS/Push Button].



If your machine displays the [All Settings] menu on the Home screen, skip the [Settings] menu.

2. When [Switch Network interface to wireless?] appears, press [Yes].  
This will start the wireless setup wizard. To cancel, press [No].
3. When the touchscreen displays [Start WPS on your wireless access point/router, then press [OK].], press the WPS button on your wireless access point/router. Then press [OK] on your machine. Your machine will automatically detect your wireless access point/router and try to connect to your wireless network.

If your wireless device is connected successfully, the machine's LCD displays [Connected]. Press [OK], and then press .

You have completed the wireless network setup. To install the drivers or the application necessary for operating your machine, go to your model's **Downloads** page at [support.brother.com/downloads](http://support.brother.com/downloads).



### Related Information

- [Use the Wireless Network](#)

#### Related Topics:

- [Wireless LAN Report Error Codes](#)

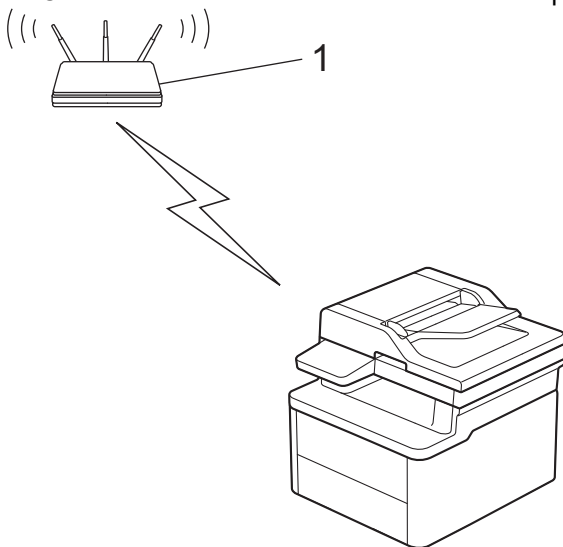
## Configure Your Machine for a Wireless Network Using the PIN Method of Wi-Fi Protected Setup™ (WPS)

If your wireless LAN access point/router supports WPS, you can use the Personal Identification Number (PIN) Method to configure your wireless network settings.

The PIN Method is one of the connection methods developed by the Wi-Fi Alliance®. By submitting a PIN created by an Enrollee (your machine) to the Registrar (a device that manages the wireless LAN), you can set up the wireless network and security settings. For more information on how to access WPS mode, see the instructions provided with your wireless access point/router.

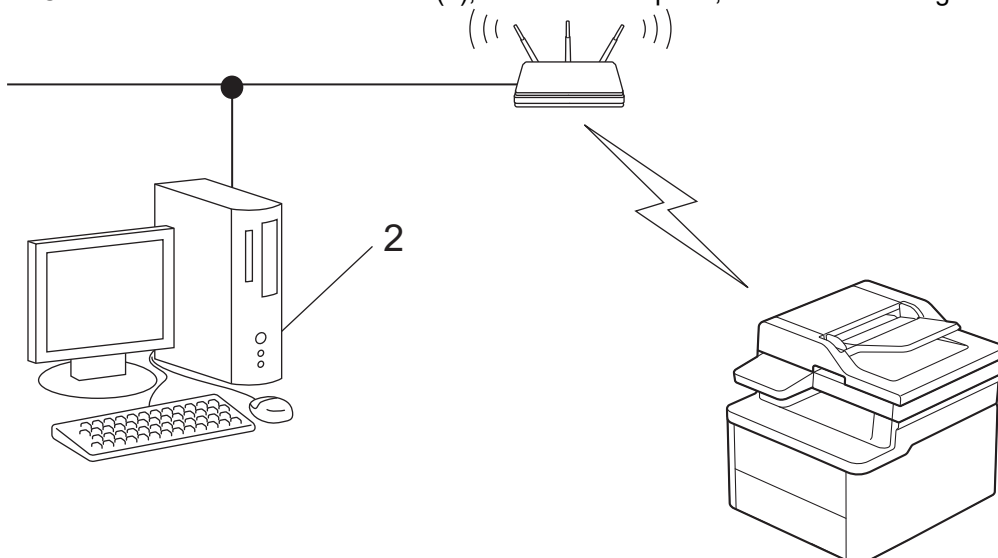
### Type A


Connection when the wireless LAN access point/router (1) doubles as the Registrar:



### Type B

Connection when another device (2), such as a computer, is used as the Registrar:



1. Press  [Settings] > [All Settings] > [Network] > [WLAN (Wi-Fi)] > [WPS/PIN Code].



If your machine displays the [All Settings] menu on the Home screen, skip the [Settings] menu.


2. When [Switch Network interface to wireless?] appears, press [Yes].

This will start the wireless setup wizard. To cancel, press [No].



3. The LCD displays an eight-digit PIN and the machine starts searching for a wireless LAN access point/router.
4. Using a computer connected to the network, in your browser's address bar, type the IP address of the device you are using as the Registrar (for example: <http://192.168.1.2>).
5. Go to the WPS settings page and type the PIN, and then follow the on-screen instructions.

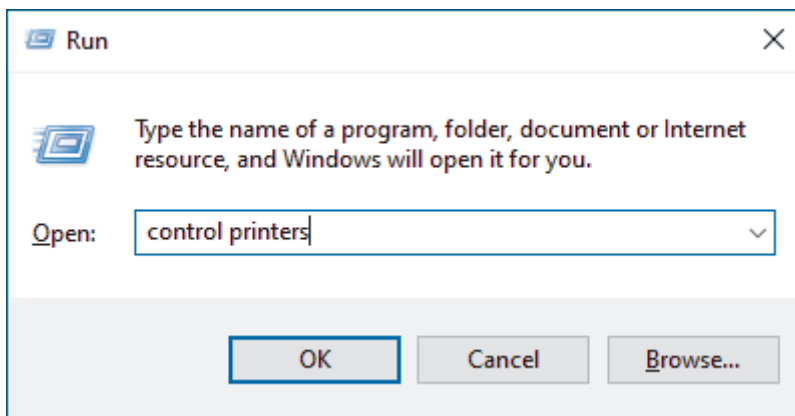


- The Registrar is usually the wireless LAN access point/router.
- The settings page may differ depending on the brand of wireless LAN access point/router. For more information, see the instructions supplied with your wireless LAN access point/router.

If your wireless device is connected successfully, the machine's LCD displays [Connected]. Press [OK], and then press .

**If you are using a Windows 10 or Windows 11 computer as a Registrar, complete the following steps:**

6. Hold down the  key and press the  key on the computer's keyboard to launch **Run**.
7. Type "**control printers**" in the **Open:** field and click **OK**.



The **Devices and Printers** window appears.




If the **Devices and Printers** window does not appear, click **Devices > More devices and printer settings**.

8. Click **Add a device**.



- To use a Windows 10 or Windows 11 computer as a Registrar, you must register it to your network in advance. For more information, see the instructions supplied with your wireless LAN access point/router.
- If you use Windows 10 or Windows 11 as a Registrar, you can install the printer driver after the wireless configuration by following the on-screen instructions. To install the driver and software necessary to use your machine, go to your model's **Downloads** page at [support.brother.com/downloads](http://support.brother.com/downloads).

9. Select your machine and click **Next**.
10. Type the PIN displayed on the machine's LCD, and then click **Next**.
11. Click **Close**.

If your wireless device is connected successfully, the machine's LCD displays [Connected]. Press [OK], and then press .

You have completed the wireless network setup. To install the drivers or the application necessary for operating your machine, go to your model's **Downloads** page at [support.brother.com/downloads](http://support.brother.com/downloads).



## Related Information

- [Use the Wireless Network](#)

### Related Topics:

- [Wireless LAN Report Error Codes](#)

## Configure Your Machine for a Wireless Network When the SSID Is Not Broadcast

Before configuring your machine, we recommend writing down your wireless network settings. You will need this information before you continue with the configuration.


1. Check and write down the current wireless network settings.

Network Name (SSID)		
Authentication Method	Encryption Mode	Network Key
Open System	NONE	-
	WEP <sup>1</sup>	
Shared Key	WEP <sup>1</sup>	
WPA/WPA2-PSK	AES	
	TKIP	
WPA3-SAE	AES	

<sup>1</sup> You cannot select the WEP option from the control panel. To select the WEP option for the encryption mode, use Web Based Management.

For example:


Network Name (SSID)		
HELLO		
Authentication Method	Encryption Mode	Network Key
WPA3-SAE	AES	12345678

2. Press  [Settings] > [All Settings] > [Network] > [WLAN (Wi-Fi)] > [Find Wi-Fi Network].



If your machine displays the [All Settings] menu on the Home screen, skip the [Settings] menu.

3. When [Switch Network interface to wireless?] appears, press [Yes].  
This will start the wireless setup wizard. To cancel, press [No].
4. The machine will search for your network and display a list of available SSIDs. Swipe up or down or press ▲ or ▼ to display [Add SSID]. Press [Add SSID], and then press [OK].
5. Enter the SSID name, and then press [OK].
6. Select the Authentication Method.
7. Follow the instructions on the LCD to configure the settings.
8. The machine attempts to connect to the wireless device you have selected.

If your wireless device is connected successfully, the machine's LCD displays [Connected]. Press [OK], and then press .

You have completed the wireless network setup. To install the drivers or the application necessary for operating your machine, go to your model's **Downloads** page at [support.brother.com/downloads](http://support.brother.com/downloads).





## Related Information

- [Use the Wireless Network](#)

### **Related Topics:**

- [Access Web Based Management](#)
  - [How to Enter Text on Your Machine](#)
  - [Wireless LAN Report Error Codes](#)
-

## Configure Your Machine for an Enterprise Wireless Network

Before configuring your machine, we recommend writing down your wireless network settings. You will need this information before you continue with the configuration.

1. Check and write down the current wireless network settings.

Network Name (SSID)

Authentication Method	Encryption Mode	User ID	Password
EAP-FAST/NONE	AES		
	TKIP		
EAP-FAST/MS-CHAPv2	AES		
	TKIP		
EAP-FAST/GTC	AES		
	TKIP		
PEAP/MS-CHAPv2	AES		
	TKIP		
PEAP/GTC	AES		
	TKIP		
EAP-TTLS/CHAP	AES		
	TKIP		
EAP-TTLS/MS-CHAP	AES		
	TKIP		
EAP-TTLS/MS-CHAPv2	AES		
	TKIP		
EAP-TTLS/PAP	AES		
	TKIP		
EAP-TLS	AES		-
	TKIP		-


For example:

Network Name (SSID)
HELLO

Authentication Method	Encryption Mode	User ID	Password
EAP-FAST/MS-CHAPv2	AES	Brother	12345678




- If you configure your machine using EAP-TLS authentication, you must install the client certificate issued by a CA before you start configuration. Contact your network administrator about the client certificate. If you have installed more than one certificate, we recommend writing down the certificate name you want to use.
- If you verify your machine using the common name of the server certificate, we recommend writing down the common name before you start configuration. Contact your network administrator about the common name of the server certificate.

2. Press  [Settings] > [All Settings] > [Network] > [WLAN (Wi-Fi)] > [Find Wi-Fi Network].



If your machine displays the [All Settings] menu on the Home screen, skip the [Settings] menu.

3. When [Switch Network interface to wireless?] appears, press [Yes].  
This will start the wireless setup wizard. To cancel, press [No].
4. The machine will search for your network and display a list of available SSIDs. Swipe up or down or press ▲ or ▼ to display [Add SSID]. Press [Add SSID], and then press [OK].
5. Enter the SSID name, and then press [OK].
6. Select the Authentication Method.
7. Follow the instructions on the LCD to configure the settings.
8. The machine attempts to connect to the wireless device you have selected.

If your wireless device is connected successfully, the machine's LCD displays [Connected]. Press [OK], and then press .

You have completed the wireless network setup. To install the drivers or the application necessary for operating your machine, go to your model's **Downloads** page at [support.brother.com/downloads](http://support.brother.com/downloads).



## Related Information

- [Use the Wireless Network](#)

### Related Topics:

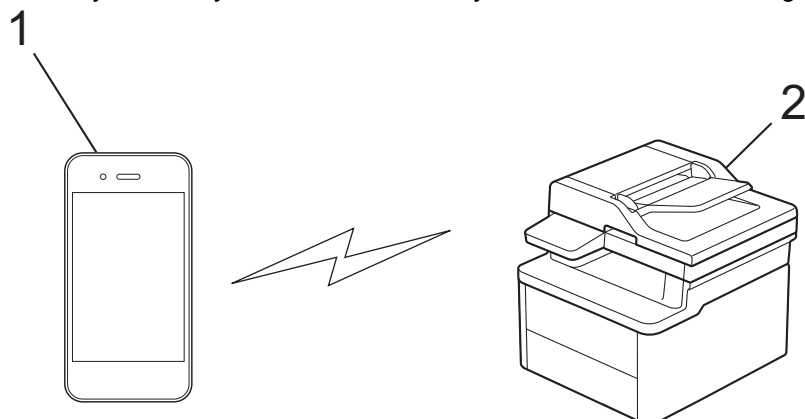
- [Wireless LAN Report Error Codes](#)

## Use Wi-Fi Direct®

- [Wi-Fi Direct Overview](#)
- [Configure Your Wi-Fi Direct Network Manually](#)
- [Configure Wi-Fi Direct Network Using the Push Button Method](#)

## Wi-Fi Direct Overview

Wi-Fi Direct is one of the wireless configuration methods developed by the Wi-Fi Alliance®. It allows you to securely connect your mobile device to your machine without using a wireless router/access point.



1. Mobile device
2. Your machine



- You can use Wi-Fi Direct with the wired or wireless network connection at the same time.
- The Wi-Fi Direct-supported device can become a Group Owner. When configuring the Wi-Fi Direct network, the Group Owner serves as an access point.



### Related Information

- [Use Wi-Fi Direct®](#)

#### Related Topics:

- [Configure Your Wi-Fi Direct Network Manually](#)
- [Configure Wi-Fi Direct Network Using the Push Button Method](#)


## Configure Your Wi-Fi Direct Network Manually

Depending on the device, if you connect to the Wi-Fi Direct network manually, your mobile device may disconnect from the connected wireless network and automatically switch to mobile data communication. If necessary, reconnect to the original wireless network after use. If your device continues to automatically switch to the Wi-Fi Direct network, turn off the automatic connection setting on your mobile device.

Configure the Wi-Fi Direct settings from the machine's control panel:



When the machine receives a Wi-Fi Direct request from your mobile device, the message [Wi-Fi Direct connection request received. Press [OK] to connect.] appears on the LCD. Press [OK] to connect.

1. Press  [Settings] > [All Settings] > [Network] > [Wi-Fi Direct] > [Manual].



If your machine displays the [All Settings] menu on the Home screen, skip the [Settings] menu.

2. The machine will display the SSID (Network Name) and Password (Network Key). Go to your mobile device's wireless network settings screen, select the SSID, and then enter the password.



- You can also configure a Wi-Fi Direct network using the QR Code displayed on the LCD. Scan the QR Code, and then follow the LCD instructions.
- Read the QR Code from the standard camera app on the iOS 11 or later, or from the Wi-Fi settings menu or standard camera app on Android™ 10 or later. If the QR Code cannot be read, manually enter the Network Name (SSID) and Network Key (Password) to connect.

3. When your mobile device connects successfully, the machine's LCD displays [Connected].



### Related Information

- [Use Wi-Fi Direct®](#)

#### Related Topics:

- [Wi-Fi Direct Overview](#)
- [Configure Wi-Fi Direct Network Using the Push Button Method](#)

## Configure Wi-Fi Direct Network Using the Push Button Method



To perform Wi-Fi Direct network settings when using an Android™ device, install Brother Mobile Connect, select Wi-Fi Direct as the method for connecting to this product, and follow the on-screen directions.

When the machine receives a Wi-Fi Direct request from your mobile device, the message [Wi-Fi Direct connection request received. Press [OK] to connect.] appears on the LCD. Press [OK] to connect.

1. Press  [Settings] > [All Settings] > [Network] > [Wi-Fi Direct] on your machine's LCD.



If your machine displays the [All Settings] menu on the Home screen, skip the [Settings] menu.

2. If your mobile device does not support Wi-Fi Direct, press [Group Owner] > [On].



Depending on the device, if you connect with [Group Owner] set to [On], your mobile device may disconnect from the connected wireless network and automatically switch to mobile data communication. If necessary, reconnect to the original wireless network after use. If your device continues to automatically switch to the Wi-Fi Direct network, turn off the automatic connection setting on your mobile device.

3. Press [Push Button].
4. When the [Activate Wi-Fi Direct on other device. Then Press [OK].] message appears, turn your mobile device's Wi-Fi Direct function on (for more information, see your mobile device's user's guide). Press [OK] on your machine.
5. Do one of the following:
  - If your mobile device displays a list of machines with Wi-Fi Direct enabled, select your Brother machine.
  - If your Brother machine displays a list of mobile devices with Wi-Fi Direct enabled, select your mobile device. To search for available devices again press [Rescan].
6. When your mobile device connects successfully, the machine's LCD displays [Connected].




### Related Information

- [Use Wi-Fi Direct®](#)

#### Related Topics:


- [Wi-Fi Direct Overview](#)
- [Configure Your Wi-Fi Direct Network Manually](#)

## Enable/Disable Wireless LAN

1. Press  [Settings] > [All Settings] > [Network] > [WLAN (Wi-Fi)].



If your machine displays the [All Settings] menu on the Home screen, skip the [Settings] menu.

2. Swipe up or down or press ▲ or ▼ to select the [WLAN Enable] option. Press [WLAN Enable].
3. Do one of the following:
  - To enable Wi-Fi, select [On].
  - To disable Wi-Fi, select [Off].
4. Press .




### Related Information

- [Wireless Network Settings](#)




## Print the WLAN Report

The WLAN Report shows your machine's wireless status. If the wireless connection fails, check the error code on the printed report.

1. Press  [Settings] > [All Settings] > [Print Reports] > [WLAN Report].



If your machine displays the [All Settings] menu on the Home screen, skip the [Settings] menu.

2. Press [Yes].  
The machine will print the WLAN Report.
3. Press .

If the WLAN Report does not print, check your machine for errors. If there are no visible errors, wait for one minute and then try to print the report again.



### Related Information

- [Wireless Network Settings](#)
- [Wireless LAN Report Error Codes](#)

## Wireless LAN Report Error Codes

If the Wireless LAN Report shows that the connection failed, check the error code on the printed report and see the corresponding instructions in the table:

Error Code	Problem and Recommended Solutions
TS-01	<p>The WLAN (Wi-Fi) is not enabled.</p> <p>Check the following points and try to set up your wireless connection again:</p> <ul style="list-style-type: none"><li>• Enable the WLAN setting on your machine.</li><li>• If a network cable is connected to your machine, disconnect it.</li></ul>
TS-02	<p>The wireless router/access point cannot be detected.</p> <p>Check the following points and try to set up your wireless connection again:</p> <ul style="list-style-type: none"><li>• Make sure the wireless router/access point is on.</li><li>• Temporarily place your machine closer to the wireless router/access point when you are configuring the wireless settings.</li><li>• If your wireless router/access point is using MAC address filtering, confirm that the MAC address of the machine is allowed in the filter. You can find the MAC address by printing the Network Configuration Report or the Printer Settings page.</li><li>• If you manually entered the Network Name (SSID) and security information (authentication method/encryption method), the information may be incorrect. Check the Network Name and security information again and re-enter the correct information.</li><li>• Restart your wireless router/access point. If you cannot find the Network Name (SSID) and security information, see the documentation provided with your wireless router/access point, or contact the router manufacturer, your system administrator, or Internet service provider.</li></ul>
TS-03	<p>The wireless enterprise network and security settings you entered may be incorrect.</p> <p>Check the following points and try to set up your wireless connection again:</p> <p>Verify the following information:</p> <ul style="list-style-type: none"><li>- Network Name (SSID) you selected to configure your machine.</li><li>- Security information you selected to configure your machine (such as the authentication method, encryption method, or User ID).</li></ul> <p>If you still cannot find the Network Name (SSID) and security information, see the documentation provided with your wireless router/access point, or contact the router manufacturer, your system administrator, or Internet service provider.</p>
TS-04	<p>Your machine does not support the authentication and encryption methods used by the selected wireless router/access point.</p> <p>For infrastructure mode (Most common)</p> <p>Change the authentication and encryption methods of the wireless router/access point. Your machine supports the following authentication and encryption methods:</p> <ul style="list-style-type: none"><li>• WPA-Personal: TKIP / AES</li><li>• WPA2-Personal: TKIP / AES</li><li>• WPA3-Personal: AES</li><li>• OPEN: WEP / NONE (without encryption)</li><li>• Shared key: WEP</li></ul> <p>If your issue is not resolved, the Network Name (SSID) or security settings you entered may be incorrect. Check that all wireless network settings are correct for your network.</p>

Error Code	Problem and Recommended Solutions
TS-05	<p>The Network Name (SSID) and Network Key (Password) are incorrect.</p> <p>Check the following points and try to set up your wireless connection again:</p> <ul style="list-style-type: none"> <li>• Confirm the Network Name (SSID) and Network Key (Password).</li> <li>• If your Network Key contains upper-case and lower-case letters, make sure you type them correctly.</li> <li>• If you cannot find the Network Name (SSID) and security information, see the documentation provided with your wireless router/access point, or contact the router manufacturer, your system administrator, or Internet service provider.</li> <li>• If your wireless router/access point uses WEP encryption with multiple WEP keys, write down and use only the first WEP key.</li> </ul>
TS-06	<p>The wireless security information (authentication method/encryption method/Network Key (Password)) is incorrect.</p> <p>Check the following points and try to set up your wireless connection again:</p> <ul style="list-style-type: none"> <li>• Confirm the Network Key. If your Network Key contains upper-case and lower-case letters, make sure you type them correctly.</li> <li>• Confirm whether the authentication method entered and the authentication method or encryption method supported by the wireless router/access point are the same.</li> <li>• If the Network key, authentication method, and encryption method have been confirmed, restart your wireless router/access point and the machine.</li> <li>• If your wireless router/access point's Stealth Mode is on, you may need to disable it to connect to the wireless network.</li> </ul> <p>If you cannot find the Network Name (SSID) and security information, see the documentation provided with your wireless router/access point, or contact the router manufacturer, your system administrator, or Internet service provider.</p>
TS-07	<p>The machine cannot detect a wireless router/access point that has WPS (Wi-Fi Protected Setup) enabled.</p> <p>Check the following points and try again:</p> <ul style="list-style-type: none"> <li>• To check if your wireless router/access point supports WPS, look for the WPS symbol displayed on the router/access point. For more information, see the documentation provided with your wireless router/access point.</li> <li>• To set up your wireless connection using WPS, you must configure both your machine and the wireless router/access point. For more information, see the user's guide.</li> <li>• If you do not know how to set up your wireless router/access point using WPS, see the documentation provided with your wireless router/access point, or contact the router manufacturer, your system administrator, or Internet service provider.</li> </ul>
TS-08	<p>Two or more wireless routers or access points that have WPS enabled are detected.</p> <p>Check the following points and try again:</p> <ul style="list-style-type: none"> <li>• Make sure that only one wireless router/access point within range has WPS enabled, and then try to connect again.</li> <li>• Try to connect again after a few minutes to avoid interference from other access points/routers.</li> </ul>



---

How to confirm wireless security information (SSID/authentication method/encryption method/Network Key) of your WLAN access point/router:

1. The default security settings may be provided on a label attached to the WLAN access point/router. Or the manufacturer's name or model number of the WLAN access point/router may be used as the default security settings.
2. See the documentation provided with your WLAN access point/router for information on how to find the security settings.
  - If the WLAN access point/router is set to not broadcast the SSID, the SSID will not automatically be detected. You will have to manually enter the SSID name.
  - The Network Key may also be described as the Password, Security Key, or Encryption Key.

If you do not know the SSID and wireless security settings of your WLAN access point/router or how to change the configuration, see the documentation provided with your WLAN access point/router, ask the manufacturer of your access point/router or ask your Internet provider or network administrator.

---



## Related Information

- [Print the WLAN Report](#)

### Related Topics:

- [Configure Your Machine for a Wireless Network Using the One Push Method of Wi-Fi Protected Setup™ \(WPS\)](#)
  - [Configure Your Machine for a Wireless Network Using the PIN Method of Wi-Fi Protected Setup™ \(WPS\)](#)
  - [Configure Your Machine for a Wireless Network Using the Machine's Control Panel Setup Wizard](#)
  - [Configure Your Machine for a Wireless Network When the SSID Is Not Broadcast](#)
  - [Configure Your Machine for an Enterprise Wireless Network](#)
-

## Network Features

- [Configure the Proxy Server Settings Using Web Based Management](#)
- [Print the Network Configuration Report](#)
- [Use the Send Fax to Server Feature](#)
- [Configure and Operate LDAP Search](#)
- [Synchronize Time with the SNTP Server Using Web Based Management](#)
- [Forward Incoming Faxes to a Network Destination](#)
- [Gigabit Ethernet \(Wired Network Only\)](#)
- [Use Global Network Detection Features](#)
- [Reset the Network Settings to the Factory Settings](#)

## Configure the Proxy Server Settings Using Web Based Management

If your network uses a proxy server, the following proxy server information must be configured using Web Based Management:

- Proxy server address
- Port number
- User Name
- Password

1. Start Web Based Management. See [Access Web Based Management](#).
2. In the left navigation bar, click **Network > Network > Protocol**.



If the left navigation bar is not visible, start navigating from ☰.

3. Make sure the **Proxy** checkbox is selected, and then click **Submit**.
4. In the **Proxy** field, click **Advanced Settings**.
5. Enter the proxy server information.
6. Click **Submit**.



### Related Information

- [Network Features](#)

#### Related Topics:


- [Configure the Proxy Server Settings Using the Machine's Control Panel](#)
- [Access Web Based Management](#)

## Print the Network Configuration Report

The Network Configuration Report lists the network configuration, including the network print server settings.



- The Node Name appears on the Network Configuration Report. The default Node Name is "BRN123456abcdef" for a wired network or "BRW123456abcdef" for a wireless network (where "123456abcdef" is your machine's MAC Address / Ethernet Address.)
- If the IP Address on the Network Configuration Report shows 0.0.0.0, wait for one minute and try printing it again.
- You can find your machine's settings, such as the IP address, subnet mask, node name, and MAC Address on the report, for example:
  - IP address: 192.168.0.5
  - Subnet mask: 255.255.255.0
  - Node name: BRN000ca0000499
  - MAC Address: 00-0c-a0-00-04-99

1. Press  [Settings] > [All Settings] > [Print Reports] > [Network Configuration].



If your machine displays the [All Settings] menu on the Home screen, skip the [Settings] menu.

2. Press [Yes].
3. Press .



### Related Information

- [Network Features](#)

#### Related Topics:

- [Access Web Based Management](#)

## Use the Send Fax to Server Feature

**Related Models:** MFC-L8730CDW/MFC-L8930CDW/MFC-L8970CDW/MFC-EX575

The Fax to Server feature allows the machine to scan a document and send it over the network to a separate fax server. The document will then be sent from the server as fax data to the destination fax number over standard phone lines. When the Fax to Server feature is set to On, all automatic fax transmissions from the machine will be sent to the fax server for fax transmission.

You can send a fax directly from the machine using the manual fax feature when the Send to Server feature is on.



### Related Information

- [Network Features](#)
  - [Before Sending a Fax to the Fax Server](#)
  - [Enable Fax to Server](#)
  - [Operate Fax to Server](#)



## Before Sending a Fax to the Fax Server

**Related Models:** MFC-L8730CDW/MFC-L8930CDW/MFC-L8970CDW/MFC-EX575

To send a document to the fax server, the correct syntax for that server must be used. The destination fax number must be sent with a prefix and a suffix that match the parameters used by the fax server. In most cases, the syntax for the prefix is "fax=" and the syntax for the suffix would be the domain name of the fax server email gateway. The suffix must also include the "@" symbol at the beginning of the suffix. The prefix and the suffix information must be stored in the machine before you can use the Fax to Server function. Destination fax numbers can be saved in the address book or entered using the dial pad (up to 40-digit numbers). For example: if you wanted to send a document to a destination fax number of 123-555-0001, use the following syntax:

Prefix                                  Suffix

fax=123-555-0001@faxserver.companynamename.com

Destination fax number



Your fax server application must support an email gateway.




### Related Information

- [Use the Send Fax to Server Feature](#)

## Enable Fax to Server


**Related Models:** MFC-L8730CDW/MFC-L8930CDW/MFC-L8970CDW/MFC-EX575

Store the prefix/suffix address for the fax server in your Brother machine.

1. Press  [Settings] > [All Settings] > [Network] > [Fax to Server].



If your machine displays the [All Settings] menu on the Home screen, skip the [Settings] menu.

2. Press [Fax to Server].
3. Press [On].
4. Press [Prefix].
5. Enter the prefix using the touchscreen, and then press [OK].
6. Press [Suffix].
7. Enter the suffix using the touchscreen, and then press [OK].
8. Press .



### Related Information

- [Use the Send Fax to Server Feature](#)

## Operate Fax to Server

**Related Models:** MFC-L8730CDW/MFC-L8930CDW/MFC-L8970CDW/MFC-EX575

1. Place the document in the ADF or on the scanner glass.
2. Do one of the following:
  - If the Fax Preview option is set to [Off], press [Fax].
  - If the Fax Preview option is set to [On], press [Fax], and then press [Sending Faxes].
3. Enter the fax number.
4. Press [Fax Start].

The machine will send the message over a TCP/IP network to the fax server.



### Related Information

- [Use the Send Fax to Server Feature](#)

## Configure and Operate LDAP Search

The LDAP feature allows you to search for information, such as fax numbers and email addresses, on your server. When you use the Fax, I-Fax, or Scan to Email server feature, you can use the LDAP search to find fax numbers or email addresses.



- The LDAP feature does not support simplified Chinese, traditional Chinese, or Korean.
- The LDAP feature supports LDAPv3.



### Related Information

- [Network Features](#)
  - [Change LDAP Configuration Using Web Based Management](#)
  - [Perform an LDAP Search Using Your Machine's Control Panel](#)

## Change LDAP Configuration Using Web Based Management

Use Web Based Management to configure your LDAP settings in a web browser.

1. Start Web Based Management. See [Access Web Based Management](#).
2. In the left navigation bar, click **Network > Network > Protocol**.



If the left navigation bar is not visible, start navigating from ☰.

3. Select the **LDAP** checkbox, and then click **Submit**.
4. Restart your Brother machine to activate the configuration.
5. On your computer, in Web Based Management, click **Address Book > LDAP** in the left navigation bar.

- **LDAP Search**
- **LDAP Server Address**
- **SSL/TLS**
- **Port**
- **Authentication**
- **Username**

This selection will be available depending on the authentication method used.

- **Password**

This selection will be available depending on the authentication method used.



- If the LDAP server supports Kerberos authentication, we recommend selecting Kerberos for the Authentication settings. It provides strong authentication between the LDAP server and your machine.
- You must configure the SNTP protocol (network time server), or you must set the date, time and time zone correctly on the control panel for Kerberos authentication.

- **Kerberos Server Address**

This selection will be available depending on the authentication method used.

- **Search Root**
- **Timeout for LDAP**
- **Attribute of Name (Search Key)**
- **Attribute of E-mail**
- **Attribute of Fax Number**

6. When finished, click **Submit**. Make sure the **Status** field reads **OK**.



### Related Information

- [Configure and Operate LDAP Search](#)

#### Related Topics:

- [Access Web Based Management](#)
- [Synchronize Time with the SNTP Server Using Web Based Management](#)


## Perform an LDAP Search Using Your Machine's Control Panel


When you have configured LDAP settings, you can use the LDAP search feature to find fax numbers or email addresses to use for:

- Sending a Fax (not available for DCP models)
- Sending an Internet Fax (I-Fax) (not available for DCP models)
- Scanning to Email Server



- The LDAP feature supports LDAPv3.
- You may need to use Kerberos Authentication or Simple Authentication to connect to your LDAP server, depending on the security policy set by your network administrator.
- You must configure the SNTP protocol (network time server), or you must set the date, time and time zone correctly on the control panel for Kerberos authentication.

1. Press  to search.
2. Enter the initial characters for your search using the LCD.
3. Press [OK].

The LDAP search result will be shown on the LCD; the  icon appears before the fax number (local) or the email (local) address book search results.

If there is no match on the server or in the local address book, the LCD displays [Results cannot be found.] for about 60 seconds.

4. Swipe up or down or press ▲ or ▼ to display the name you want.
5. Press the name.  
To view the details of the name, press [Detail].
6. If the result includes more than one fax number or email address, the machine will prompt you to select just one. Press [Apply]. Do one of the following:
  - If you are sending a fax or an I-Fax, press [Fax Start].
  - If you are scanning to the Email Server, load your document, press [Next], and then press [Start].



### Related Information

- [Configure and Operate LDAP Search](#)

#### Related Topics:

- [Synchronize Time with the SNTP Server Using Web Based Management](#)

## **Synchronize Time with the SNTP Server Using Web Based Management**

The Simple Network Time Protocol (SNTP) is used to synchronize the time used by the machine for authentication with the SNTP time server. (This is not the time displayed on the machine's LCD.) You can automatically or manually synchronize the machine's time with the Coordinated Universal Time (UTC) provided by the SNTP time server.

- [Configure Date and Time Using Web Based Management](#)
- [Configure the SNTP Protocol Using Web Based Management](#)

## Configure Date and Time Using Web Based Management

Configure the date and time to synchronize the time used by the machine with the SNTP time server.

This feature is not available in some countries.

1. Start Web Based Management. See [Access Web Based Management](#).
2. In the left navigation bar, click **Administrator** > **Date&Time**.



If the left navigation bar is not visible, start navigating from ☰.

3. Verify the **Time Zone** settings.



Select the time difference between your location and UTC from the **Time Zone** drop-down list. For example, the time zone for Eastern Time in the USA and Canada is UTC-05:00.

4. Select the **Synchronize with SNTP server** checkbox.
5. Click **Submit**.



You can also configure date and time manually.



### Related Information

- [Synchronize Time with the SNTP Server Using Web Based Management](#)

#### Related Topics:

- [Access Web Based Management](#)



## Configure the SNTP Protocol Using Web Based Management

Configure the SNTP protocol to synchronize the time the machine uses for authentication with the time kept by the SNTP time server.

1. Start Web Based Management. See [Access Web Based Management](#).
2. In the left navigation bar, click **Network > Network > Protocol**.



If the left navigation bar is not visible, start navigating from ☰.

3. Select the **SNTP** checkbox to activate the settings.
4. Click **Submit**.
5. Restart your Brother machine to activate the configuration.
6. Next to the SNTP checkbox, click **Advanced Settings**.
7. Configure the settings.

Option	Description
<b>Status</b>	Displays whether the SNTP protocol is enabled or disabled.
<b>Synchronization Status</b>	Confirm the latest synchronization status.
<b>SNTP Server Method</b>	Select <b>AUTO</b> or <b>STATIC</b> . <ul style="list-style-type: none"><li>• <b>AUTO</b> If you have a DHCP server on your network, the SNTP server will obtain the address from that server automatically.</li><li>• <b>STATIC</b> Type the address you want to use.</li></ul>
<b>Primary SNTP Server Address</b> <b>Secondary SNTP Server Address</b>	Type the server's address (up to 64 characters). The secondary SNTP server's address is used as a backup to the primary SNTP server's address. If the primary server is unavailable, the machine will contact the secondary SNTP server.
<b>Primary SNTP Server Port</b> <b>Secondary SNTP Server Port</b>	Type the port number (1-65535). The secondary SNTP server port is used as a backup to the primary SNTP server port. If the primary port is unavailable, the machine will contact the secondary SNTP port.
<b>Synchronization Interval</b>	Type the number of hours between server synchronization attempts (1-168 hours).

8. Click **Submit**.



### Related Information

- [Synchronize Time with the SNTP Server Using Web Based Management](#)

#### Related Topics:

- [Access Web Based Management](#)

## Forward Incoming Faxes to a Network Destination

**Related Models:** MFC-L8730CDW/MFC-L8930CDW/MFC-L8970CDW/MFC-EX575

Set up a profile to forward incoming faxes directly to a folder on your server.

1. Start Web Based Management. See [Access Web Based Management](#).
2. In the left navigation bar, click **Administrator > Network Profile**.



If the left navigation bar is not visible, start navigating from ☰.

3. Click the protocol option next to the Profile number.
4. Select your server type in the **Protocol** field, and then click **Submit**.
5. Set up the profile for your server, using one of the following tables:



Using the following characters: ?, /, \, ", :, <, >, | or \* may cause a sending error.

### FTP

Option	Description
<b>Profile Name</b>	Type a name for this server profile (up to 15 alphanumeric characters). The machine will display this name on the LCD.
<b>Host Address</b>	Type the Host Address (for example: ftp.example.com; up to 64 characters) or the IP address (for example: 192.23.56.189).
<b>Port Number</b>	Change the <b>Port Number</b> setting used to access the FTP server. The default setting is port 21. In most cases, this setting does not need to be changed.
<b>Username</b>	Type a user name (up to 32 characters) of a user that has permission to write data to the FTP server.
<b>Password</b>	Type the password (up to 32 characters) associated with the user name you entered in the <b>Username</b> field. Type the password again in the <b>Retype password</b> field.
<b>SSL/TLS</b>	Set the <b>SSL/TLS</b> option to forward incoming faxes securely using SSL/TLS communication. Change the <b>CA Certificate</b> setting, if needed.
<b>Store Directory</b>	Type the path (up to 255 characters) to the folder on the FTP server where you want to forward incoming faxes. Do not type a slash mark at the beginning of the path.
<b>Passive Mode</b>	Set the <b>Passive Mode</b> option to off or on depending on your FTP server and network firewall configuration. The default setting is on. In most cases, this setting does not need to be changed.

### SFTP

Option	Description
<b>Profile Name</b>	Type a name for this server profile (up to 15 alphanumeric characters). The machine will display this name on the LCD.
<b>Host Address</b>	Type the Host Address (for example: ftp.example.com; up to 64 characters) or the IP address (for example: 192.23.56.189).
<b>Username</b>	Type a user name (up to 32 characters) of a user that has permission to write data to the SFTP server.
<b>Auth. Method</b>	Select <b>Password</b> or <b>Public Key</b> .
<b>Password</b>	When you select <b>Password</b> for the <b>Auth. Method</b> option, type the password (up to 32 characters) associated with the user name you

Option	Description
	typed in the <b>Username</b> field. Type the password again in the <b>Retype password</b> field.
<b>Client Key Pair</b>	When you select <b>Public Key</b> for the <b>Auth. Method</b> option, select the authentication type.
<b>Server Public Key</b>	Select the authentication type.
<b>Store Directory</b>	Type the path (up to 255 characters) to the folder on the SFTP server where you want to forward incoming faxes. Do not type a slash mark at the beginning of the path.
<b>Port Number</b>	Change the <b>Port Number</b> setting used to access the SFTP server. The default setting is port 22. In most cases, this setting does not need to be changed.

## Network

Option	Description
<b>Profile Name</b>	Type a name for this server profile (up to 15 alphanumeric characters). The machine will display this name on the LCD.
<b>Network Folder Path</b>	Type the path to the folder on the CIFS server where you want to forward incoming faxes.
<b>Auth. Method</b>	To set your authentication method, select <b>Auto</b> , <b>Kerberos</b> , or <b>NTLMv2</b> .
<b>Username</b>	Type a user name (up to 96 characters) that has permission to write data to the folder specified in the <b>Network Folder Path</b> field. If the user name is part of a domain, type the user name in one of the following styles: <b>user@domain</b> <b>domain\user</b>
<b>Password</b>	Type the password (up to 32 characters) associated with the user name you entered in the <b>Username</b> field. Type the password again in the <b>Retype password</b> field.
<b>Kerberos Server Address</b>	When you select <b>Kerberos</b> for the <b>Auth. Method</b> option, you must type the Kerberos Server Address (for example: kerberos.example.com; up to 64 characters).



You must configure the SNTP (network time server) or you must set the date, time and time zone correctly on the control panel. The time must match the time used by the Kerberos Server and CIFS Server.

## SharePoint

Option	Description
<b>Profile Name</b>	Type a name for this server profile (up to 15 alphanumeric characters). The machine will display this name on the LCD.
<b>SharePoint Site Address</b>	Copy and paste the full destination address shown in the address bar of your browser (for example: http://SharePointSiteAddress/Shared%20Documents/Forms/AllItems.aspx) or the IP address (for example: http://192.168.0.1/Shared%20Documents/Forms/AllItems.aspx).
<b>SSL/TLS</b>	If the address in the <b>SharePoint Site Address</b> field starts with "https://", you can verify the server certificate by selecting the <b>Verify Server Certificate</b> checkbox.
<b>Auth. Method</b>	To set your authentication method, select <b>Auto</b> , <b>NTLMv2</b> , <b>Kerberos</b> , or <b>Basic</b> . If you choose <b>Auto</b> , the authentication method will be detected automatically.
<b>Username</b>	Type the user name (up to 96 characters) of a user that has permission to write data to the folder specified in the <b>SharePoint Site Address</b>

Option	Description
	field. If the user name is part of a domain, enter the user name in one of the following styles: <ul style="list-style-type: none"> <li>• <b>user@domain</b></li> <li>• <b>domain\user</b></li> </ul>
<b>Password</b>	Type the password (up to 32 characters) associated with the user name you entered in the <b>Username</b> field. Type the password again in the <b>Retype password</b> field.
<b>Kerberos Server Address</b>	When you select <b>Kerberos</b> for the <b>Auth. Method</b> option, you must type the Kerberos Server Address (for example: kerberos.example.com; up to 64 characters).

6. Click **Submit**.
7. To set the Fax Forward feature, in the left navigation bar, click **Fax > Remote Fax Options**.
8. Select **Forward to Network** from the **Fwd/Store/Cloud/Network** drop-down list.
9. Select the file type you want to use.
10. To print a backup copy of incoming faxes, select **On** for **Backup print**.
11. Select the profile you want to use from the **Network Profile** drop-down list.
12. Type a three-digit Remote Access Code in the **Remote Access Code** field, if needed.



- You can use the numbers 0 through 9, \*, or # for the Remote Access Code.
- The Remote Access Code must be different from the remote codes for the Fax features.

13. Click **Submit**.



## Related Information

- [Network Features](#)

### Related Topics:

- [Memory Receive Options](#)

## Gigabit Ethernet (Wired Network Only)

Your machine supports 1000BASE-T Gigabit Ethernet. To connect to a 1000BASE-T Gigabit Ethernet Network, you must set the machine's Ethernet link mode to Auto from the machine's control panel or Web Based Management (web browser).



---

Use a Category 5e (or greater) network cable. The machine can automatically negotiate the highest supported network speed, for example: to achieve 1000BASE-T network speeds, all connecting infrastructure, including network switches and cables must also support 1000BASE-T speeds. Otherwise the machine will communicate at either 10BASE-T or 100BASE-TX.

---



### Related Information

- [Network Features](#)
-


## Use Global Network Detection Features

When you use your machine on a private network, use the Global Network Detection feature to avoid a risk from unexpected attacks from the global network.

- [Enable Global IP Address Detection](#)
- [Block Communications from the Global Network](#)

## Enable Global IP Address Detection

Use this feature to check your machine's IP address. When your machine is assigned to a global IP address, an alert is displayed on the machine.

1. Press  [Settings] > [All Settings] > [Network] > [Global Detect] > [Allow Detect] > [On].



If your machine displays the [All Settings] menu on the Home screen, skip the [Settings] menu.

2. Press .




### Related Information

- [Use Global Network Detection Features](#)

## Block Communications from the Global Network




When you enable this feature, it limits receiving jobs from devices with global IP addresses

1. Press  [Settings] > [All Settings] > [Network] > [Global Detect] > [Reject Access] > [On].



If your machine displays the [All Settings] menu on the Home screen, skip the [Settings] menu.

2. Press .



### Related Information

- [Use Global Network Detection Features](#)




## Reset the Network Settings to the Factory Settings

Use your machine's control panel to reset the machine's network settings to its default factory settings. This resets all information except the administrator password.



You can also reset the print server to its factory settings using Web Based Management.

1. Press  [Settings] > [All Settings] > [Network] > [Network Reset].



If your machine displays the [All Settings] menu on the Home screen, skip the [Settings] menu.

2. [Machine will reboot after resetting. Press [OK] for 2 seconds to confirm.] appears. Press [OK] for two seconds to confirm.

The machine will restart.



### Related Information

- [Network Features](#)

#### Related Topics:

- [Reset Your Machine](#)

## Brother Management Tools

Use one of Brother's management tools to configure your Brother machine's network settings. Go to your model's **Downloads** page at [support.brother.com/downloads](http://support.brother.com/downloads) to download the tools.



### Related Information

- [Network](#)
-

## Security

Your machine supports the security features listed below. For more information about each security feature, go to your model's *Security Features Guide* at [support.brother.com/g/s/id/html/doc/common/sfg/eng/index.html](http://support.brother.com/g/s/id/html/doc/common/sfg/eng/index.html).

- Network Security > Configure Certificates for Device Security
- Network Security > Use SSL/TLS
- Network Security > Use SNMPv3
- Network Security > Use IPsec
- Network Security > Use IEEE 802.1x Authentication for Your Network
- User Authentication > Use Active Directory Authentication
- User Authentication > Use LDAP Authentication
- User Authentication > Use Secure Function Lock 3.0
- Send or Receive an Email Securely
- Store Print Log to Network

## Mobile/Web Connect

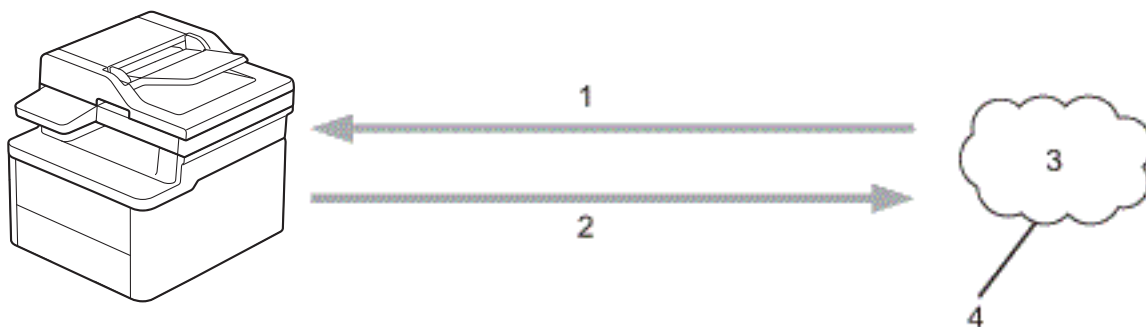
- [Brother Web Connect](#)
- [AirPrint](#)
- [Mopria™ Print Service and Mopria™ Scan](#)
- [Brother Mobile Connect](#)

## Brother Web Connect

- [Brother Web Connect Overview](#)
- [Online Services Used with Brother Web Connect](#)
- [Set Up Brother Web Connect](#)
- [Scan and Upload Documents Using Brother Web Connect](#)
- [Download and Print Documents Using Brother Web Connect](#)
- [FaxForward to Cloud or E-mail](#)

## Brother Web Connect Overview

Certain websites provide services that allow users to upload and view images and files on the websites. Your Brother machine can scan images and upload them to these services, and also download and print images that are already uploaded to these services.



1. Printing
2. Scanning
3. Photos, images, documents, and other files
4. Web Service

To use Brother Web Connect, your Brother machine must be connected to a network that has access to the Internet, through either a wired or wireless connection.

For network setups that use a proxy server, the machine must also be configured to use a proxy server. If you are unsure of your network configuration, check with your network administrator.



A proxy server is a computer that serves as an intermediary between computers without a direct Internet connection, and the Internet.

### ✓ Related Information

- [Brother Web Connect](#)
  - [Configure the Proxy Server Settings Using the Machine's Control Panel](#)


#### Related Topics:

- [Configure the Proxy Server Settings Using Web Based Management](#)

## Configure the Proxy Server Settings Using the Machine's Control Panel


If your network uses a proxy server, the following proxy server information must be configured on the machine:

- Proxy server address
- Port number
- User Name
- Password

1. Press  [Settings] > [All Settings] > [Network] > [Web Connect Settings] > [Proxy Settings] > [Proxy Connection] > [On].



If your machine displays the [All Settings] menu on the Home screen, skip the [Settings] menu.

2. Press the option that you want to set, and then enter the proxy server information.
3. Press [OK].
4. Press .



### Related Information

- [Brother Web Connect Overview](#)

#### Related Topics:

- [Configure the Proxy Server Settings Using Web Based Management](#)

## Online Services Used with Brother Web Connect

Use Brother Web Connect to access services from your Brother machine.

To use Brother Web Connect, you must have an account with the online service you want to use.

- Google Drive™
- Evernote®
- Dropbox
- OneDrive
- Box
- OneNote
- SharePoint Online

For more information about any of these services, refer to the respective service's website.

The following table describes which file types can be used with each Brother Web Connect feature:

Accessible Services	Google Drive™ Evernote® Dropbox OneDrive Box OneNote SharePoint Online
Upload scanned images	JPEG PDF <sup>1</sup> DOCX XLSX PPTX TIFF
Download and print images <sup>2</sup>	JPEG PDF DOCX XLSX PPTX
FaxForward to the online services (available only for certain models)	JPEG PDF TIFF

<sup>1</sup> For uploading scanned images, PDF includes Searchable PDF, Signed PDF, Secure PDF, PDF/A and High Compression PDF.

<sup>2</sup> DOC/XLS/PPT formats are also available for downloading and printing images.



(For Hong Kong, Taiwan and Korea)

Brother Web Connect supports only file names written in English. Files named in the local language will not be downloaded.



### Related Information

- [Brother Web Connect](#)



## Set Up Brother Web Connect

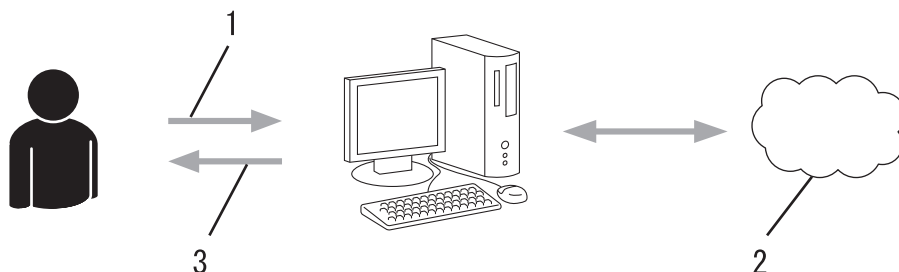
- [Brother Web Connect Setup Overview](#)
- [Apply for Brother Web Connect Access](#)
- [Register an Account on Your Brother Machine for Brother Web Connect](#)

## Brother Web Connect Setup Overview

Configure the Brother Web Connect settings using the following procedure:

### Step 1: Create an account with the service you want to use.

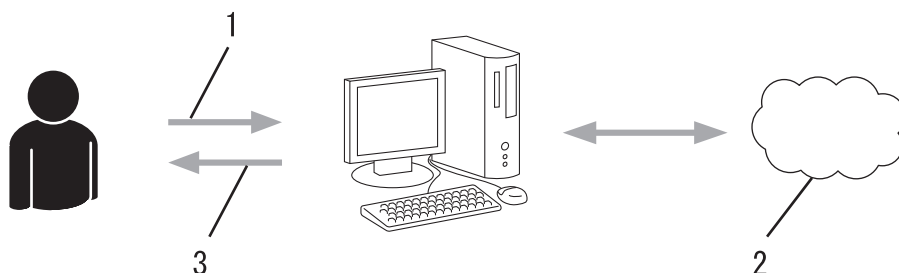
Access the service's website using a computer and create an account. (If you already have an account, there is no need to create an additional account.)



1. User registration
2. Web Service
3. Obtain account

### Step 2: Apply for Brother Web Connect access.

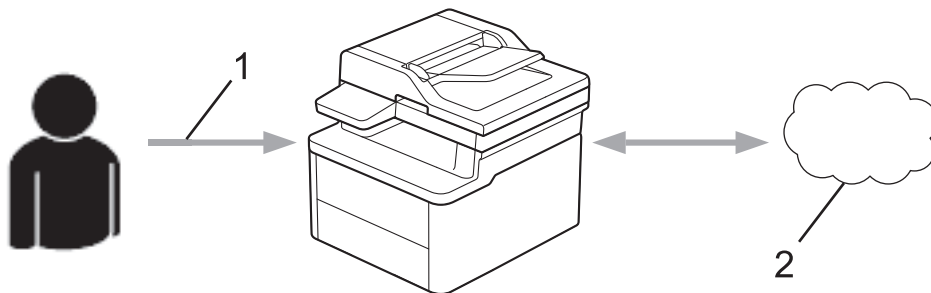
Start Brother Web Connect access using a computer and obtain a temporary ID.



1. Enter account information
2. Brother Web Connect application page
3. Obtain temporary ID

### Step 3: Register your account information on your machine so you can access the service you want to use.

Enter the temporary ID to enable the service on your machine. Specify the account name as you would like it to be displayed on the machine, and enter a PIN if you would like to use one.



1. Enter temporary ID
2. Web Service

Your Brother machine can now use the service.



---



## Related Information

- [Set Up Brother Web Connect](#)
-

## Apply for Brother Web Connect Access


To use Brother Web Connect to access online services, you must first apply for Brother Web Connect access using a computer that has the Brother Software installed.

1. Access the Brother Web Connect application website:

Option	Description
Windows	Launch  ( <b>Brother Utilities</b> ), and then click the drop-down list and select your model name (if not already selected). Click <b>Do More</b> in the left navigation bar, and then click <b>Brother Web Connect</b> .
	 You can also access the website directly: Type <a href="http://bwc.brother.com">bwc.brother.com</a> into your web browser's address bar.
Mac	Type <a href="http://bwc.brother.com">bwc.brother.com</a> into your web browser's address bar.

The Brother Web Connect page launches.

2. Select the service you want to use.
3. Follow the on-screen instructions and apply for access.

 When using SharePoint Online, follow the on-screen instructions to register a document library.

When finished, your temporary ID appears.

Get connected with Brother Web Connect

**Finished the registration.**

Please enter the following temporary ID on the LCD screen of your machine.

**Temporary ID (11 digits)**

XXXXXXXXXXXX

NOTE : The temporary ID will expire in 24 hours.

4. Make a note of your temporary ID as you will need it to register accounts to the machine. The temporary ID is valid for 24 hours.
5. Close the web browser.

Now that you have a Brother Web Connect access ID, you must register this ID on your machine, and then use your machine to access the web service you want to use.

### Related Information

- [Set Up Brother Web Connect](#)

---

**Related Topics:**

- [Register an Account on Your Brother Machine for Brother Web Connect](#)
-

## Register an Account on Your Brother Machine for Brother Web Connect

You must enter your Brother Web Connect account information and configure your machine so that it can use Brother Web Connect to access the service you want.

- You must apply for Brother Web Connect access to register an account on your machine.
- Before you register an account, confirm that the correct date and time are set on the machine.

1. Swipe to display the [Web] option.
2. Press [Web].




- If the information regarding the Internet connection appears on the machine's LCD, read the information and press [OK]. If you want to display this information again, press [Yes].
- Occasionally, updates or announcements about Brother Web Connect's features will appear on the LCD. Read the information, and then press [OK].

3. If the information regarding license agreement appears, make your selection and follow the on-screen instructions.
4. Select the service with which you want to register.
5. Press the service name.
6. If information regarding Brother Web Connect appears, press [OK].
7. Press [Register/Delete Account].
8. Press [Register Account].  
The machine will prompt you to enter the temporary ID you received when you applied for Brother Web Connect access.
9. Press [OK].
10. Enter the temporary ID using the LCD.
11. Press [OK].



An error message will appear on the LCD if the information you entered does not match the temporary ID you received when you applied for access, or if the temporary ID has expired. Enter the temporary ID correctly, or apply for access again to receive a new temporary ID.

The machine will prompt you to enter the account name that you want to be displayed on the LCD.

12. Press [OK].
13. Enter the name using the LCD.
14. Press [OK].
15. Do one of the following:
  - To set a PIN for the account, press [Yes]. (A PIN prevents unauthorized access to the account.) Enter a four-digit number, and then press [OK].
  - If you do not want to set a PIN, press [No].
16. When the account information you entered appears, confirm that it is correct.
17. Press [Yes] to register your information as entered.
18. Press [OK].
19. Press .

Registration is complete and your machine can now access the service.



---

## Related Information

- [Set Up Brother Web Connect](#)

### **Related Topics:**

- [How to Enter Text on Your Machine](#)
  - [Apply for Brother Web Connect Access](#)
-

## Scan and Upload Documents Using Brother Web Connect

Upload your scanned photos and documents directly to a web service without using a computer.

Uploaded documents are saved in an album named **From\_BrotherDevice**.

For information regarding restrictions, such as the size or number of documents that can be uploaded, refer to the respective service's website.

If you are a restricted Web Connect user, due to the enabled Secure Function Lock feature (available for certain models), you cannot upload the scanned data.

1. [Load your document](#).
2. Swipe to display the [Web] option.
3. Press [Web].



- You can also press [Scan] > [to Web].
- If the information regarding the Internet connection appears on the machine's LCD, read the information and press [OK]. If you want to display this information again, press [Yes].
- Occasionally, updates or announcements about Brother Web Connect's features will appear on the LCD. Read the information, and then press [OK].

4. Select the service that hosts the account to which you want to upload.
5. Select your account name.
6. Follow the on-screen instructions to complete this operation.



### Related Information

- [Brother Web Connect](#)



## Download and Print Documents Using Brother Web Connect

Documents that have been uploaded to your account can be downloaded directly to your machine and printed. Documents that other users have uploaded to their own accounts for sharing can also be downloaded to your machine and printed, as long as you have viewing privileges for those documents.

1. Swipe to display the [Web] option.
2. Press [Web].



- If the information regarding the Internet connection appears on the machine's LCD, read the information and press [OK]. If you want to display this information again, press [Yes].
- Occasionally, updates or announcements about Brother Web Connect's features will appear on the LCD. Read the information, and then press [OK].

3. Select the service that hosts the document you want to download and print.
4. If the PIN entry screen appears, enter the four-digit PIN and press [OK].



Depending on the service, you may have to select the account name from a list.

5. Press [Download to Print].
6. Select the album you want. Some services do not require documents to be saved in albums. For documents not saved in albums, select [Show Unsorted Files] to select documents.



An album is a collection of images. The actual term may differ depending on the service you use. When using Evernote®, you must select the notebook, and then select the note.

7. Select the thumbnail of the document you want to print. Confirm the document on the LCD and then press [OK]. Select additional documents to print (you can select up to 10 documents).
8. When finished, press [OK].
9. Follow the on-screen instructions to complete this operation.



### Related Information

- [Brother Web Connect](#)

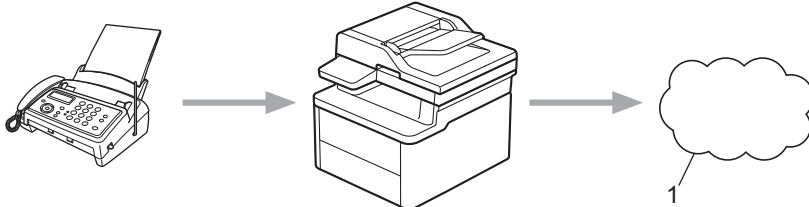
#### Related Topics:

- [How to Enter Text on Your Machine](#)

## FaxForward to Cloud or E-mail

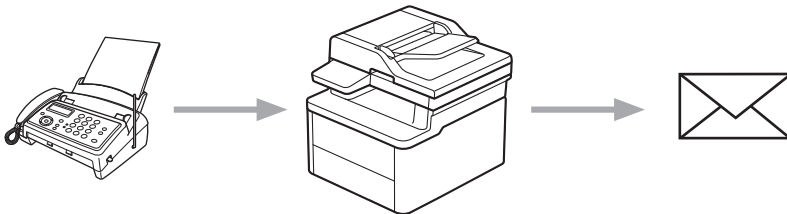
**Related Models:** MFC-L8730CDW/MFC-L8930CDW/MFC-L8970CDW/MFC-EX575

- Use the FaxForward to Cloud feature to automatically forward incoming faxes to your accounts with the available online services.



### 1. Web Service

- Use the FaxForward to E-mail feature to automatically forward incoming faxes to an inbox as email attachments.



- If you are a restricted Apps or Fax Receive user, due to the enabled Secure Function Lock feature (available for certain models), you cannot upload the incoming faxes.
- This feature is available only for black and white faxes.
- If you turn on the FaxForward to Cloud feature, you cannot use the following options:
  - [Fax Forward]
  - [Fax Storage]
  - [PC Fax Receive]
  - [Forward to Network]
- If there are received faxes still in your machine's memory, you cannot turn off the FaxForward feature.

1. Swipe to display the [Apps] option.
2. Press [Apps].



- If the information regarding the Internet connection appears on the machine's LCD, read the information and press [OK]. If you want to display this information again, press [Yes].
- Occasionally, updates or announcements about Brother Web Connect's features will appear on the LCD. Read the information, and then press [OK].

3. Select [FaxForward to Cloud/E-mail].



If the information regarding [FaxForward to Cloud/E-mail] appears, read it, and then press [OK].

4. Press [On].
5. Press [Forward to Cloud] or [Forward to E-mail].
  - If you selected [Forward to Cloud], choose the online service you want to receive the faxes, and then specify your account name.
  - If you selected [Forward to E-mail], enter the email address you want to receive the faxes as email attachments.
6. Follow the on-screen instructions to complete this operation.



## Related Information

- [Brother Web Connect](#)
-

## AirPrint

- [AirPrint Overview](#)
- [Before Using AirPrint \(macOS\)](#)
- [Print Using AirPrint](#)
- [Scan Using AirPrint \(macOS\)](#)
- [Send a Fax Using AirPrint \(macOS\)](#)

## AirPrint Overview

AirPrint is a printing solution for Apple operating systems that allows you to wirelessly print photos, email, web pages, and documents from your iPad, iPhone, iPod touch, and Mac computer without the need to install a driver.

(MFC-L8730CDW/MFC-L8930CDW/MFC-L8970CDW/MFC-EX575)

AirPrint also allows you to send faxes directly from your Mac computer without having to print them and allows you to scan documents to your Mac computer.

(DCP-L8630CDW)

AirPrint also allows you to scan documents to your Mac computer.

For more information, visit Apple's website.

Use of the Works with Apple badge means that an accessory has been designed to work specifically with the technology identified in the badge and has been certified by the developer to meet Apple performance standards.



### Related Information

- [AirPrint](#)

## Before Using AirPrint (macOS)

Before printing using macOS, add your machine to the printer list on your Mac computer.

1. Select **System Settings** from the Apple menu.
2. Select **Printers & Scanners**.
3. Click **Add Printer, Scanner, or Fax...**  
The **Add Printer** screen appears.
4. Select your machine, and then select your model's name from the **Use** pop-up menu.
5. Click **Add**.



### Related Information



- [AirPrint](#)
-

## Print Using AirPrint

- [Print from iPad, iPhone, or iPod touch](#)
- [Print Using AirPrint \(macOS\)](#)

## Print from iPad, iPhone, or iPod touch

The procedure used to print may vary by application. Safari is used in the example below.

1. Make sure your machine is turned on.
2. Load the paper in the paper tray and change the paper tray settings on your machine.
3. Use Safari to open the page that you want to print.
4. Tap  or .
5. Tap **Print**.
6. Make sure your machine is selected.
7. If a different machine (or no machine) is selected, tap **Printer**.  
A list of available machines appears.
8. Tap your machine's name in the list.
9. Select the options you want, such as the number of pages to print and 2-sided printing (if supported by your machine).
10. Tap **Print**.



### Related Information

- [Print Using AirPrint](#)



## Print Using AirPrint (macOS)

The procedure used to print may vary by application. Safari is used in the example below. Before printing, make sure your machine is in the printer list on your Mac computer.

1. Make sure your machine is turned on.
2. Load the paper in the paper tray and change the paper tray settings on your machine.
3. On your Mac computer, use Safari to open the page that you want to print.
4. Click the **File** menu, and then select **Print**.
5. Make sure your machine is selected. If a different machine (or no machine) is selected, click the **Printer** pop-up menu, and then select your machine.
6. Select the desired options, such as the number of pages to print and 2-sided printing (if supported by your machine).
7. Click **Print**.



### Related Information

- [Print Using AirPrint](#)

#### Related Topics:

- [Before Using AirPrint \(macOS\)](#)

## Scan Using AirPrint (macOS)

Before scanning, make sure your machine is in the scanner list on your Mac computer.

1. [Load your document](#).
2. Select **System Settings** from the Apple menu.
3. Select **Printers & Scanners**.
4. Select your machine from the scanner list.
5. Click the **Open Scanner...** button.  
The Scanner screen appears.
6. If you place the document in the ADF, select **Use Document Feeder** checkbox, and then select the size of your document from the scan size setting pop-up menu.
7. Select the destination folder or destination application from the destination setting pop-up menu.
8. Click **Show Details** to change the scanning settings if needed.  
You can crop the image manually by dragging the mouse pointer over the portion you want to scan when scanning from the scanner glass.
9. Click **Scan**.



### Related Information

- [AirPrint](#)

#### Related Topics:

- [Before Using AirPrint \(macOS\)](#)

## Send a Fax Using AirPrint (macOS)

**Related Models:** MFC-L8730CDW/MFC-L8930CDW/MFC-L8970CDW/MFC-EX575

Make sure your machine is in the printer list on your Mac computer. Apple TextEdit is used in the example below.



AirPrint supports only black and white fax documents.

1. Make sure your machine is turned on.
2. On your Mac computer, open the file that you want to send as a fax.
3. Click the **File** menu, and then select **Print**.
4. Click the **Printer** pop-up menu, and then select your model with **Fax** in the name.
5. Type the fax recipient information.
6. Click **Fax**.



### Related Information

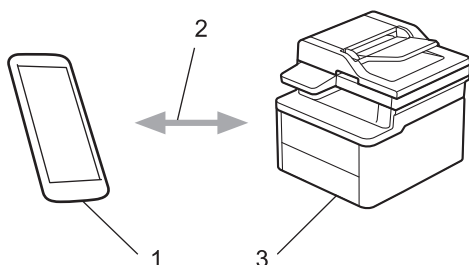
- [AirPrint](#)

#### Related Topics:

- [Before Using AirPrint \(macOS\)](#)

## Mopria™ Print Service and Mopria™ Scan

Mopria™ Print Service is a print feature and Mopria™ Scan is a scan feature on Android™ mobile devices developed by the Mopria Alliance™. With this service, you can connect to the same network as your machine to print and scan without additional setup.



1. Android™ Mobile Device
2. Wi-Fi® Connection
3. Your Machine

You must download the Mopria™ Print Service or Mopria™ Scan from Google Play™ and install it on your Android™ device. Before using these Mopria™ features, make sure you enable them on your mobile device. For more information on Mopria™ Print Service and Mopria™ Scan, visit <https://www.mopria.org>.



### Related Information

- [Mobile/Web Connect](#)

## Brother Mobile Connect

Use Brother Mobile Connect to print and scan from your mobile device.

- For Android™ devices:

Brother Mobile Connect allows you to use your Brother machine's features directly from your Android™ device.

Download and install Brother Mobile Connect from Google Play™.

- For all iOS or iPadOS supported devices including iPhone, iPad, and iPod touch:

Brother Mobile Connect allows you to use your Brother machine's features directly from your iOS or iPadOS device.

Download and install Brother Mobile Connect from the App Store.



### Related Information

- [Mobile/Web Connect](#)

#### Related Topics:

- [Access Brother iPrint&Scan \(Windows/Mac\)](#)
-

## Troubleshooting

For the latest FAQs & Troubleshooting tips, visit [support.brother.com/faqs](https://support.brother.com/faqs).

## Routine Maintenance

- [Replace Supplies](#)
- [Clean the Machine](#)
- [Correct Color Printing](#)
- [Check the Remaining Part Life](#)
- [Monitor Machine Status Using Brother iPrint&Scan \(Windows/Mac\)](#)
- [Check the Machine Information](#)
- [Update Your Machine's Firmware](#)
- [Reset Your Machine](#)
- [Pack and Ship Your Machine](#)

## Replace Supplies

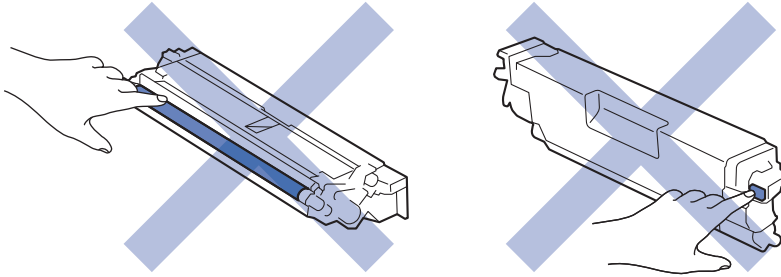
You must replace supplies when the machine indicates that the life of the supply is over.

The toner cartridge and drum unit are two separate supplies. Make sure both are installed as an assembly. The order number of supplies may vary depending on the country.

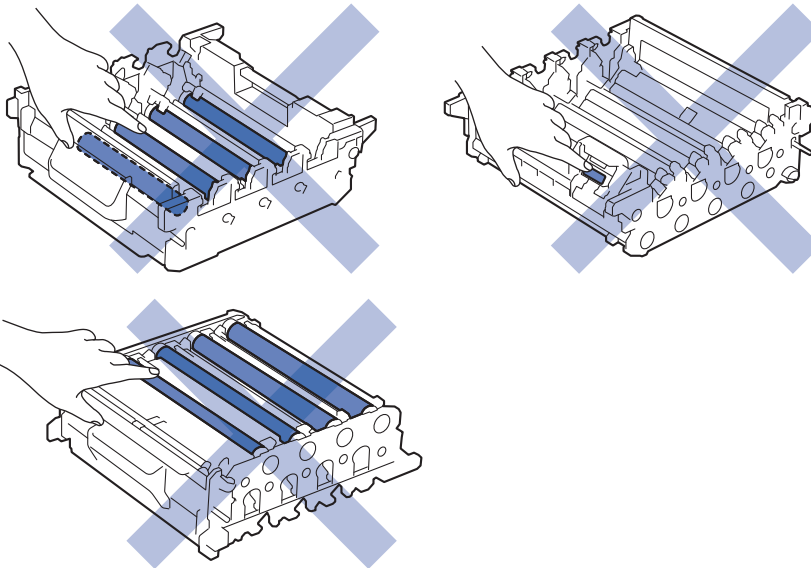
### IMPORTANT

To avoid print quality problems, DO NOT touch the shaded parts shown in the illustrations.

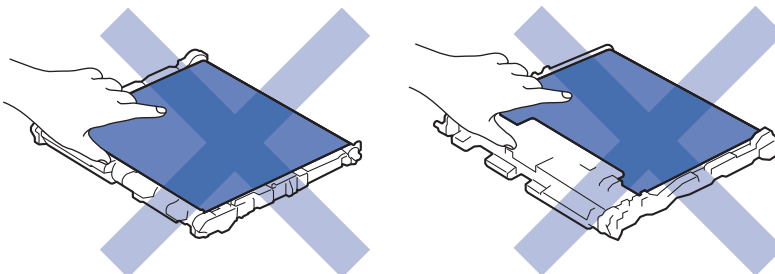
#### Toner Cartridge



#### Drum Unit

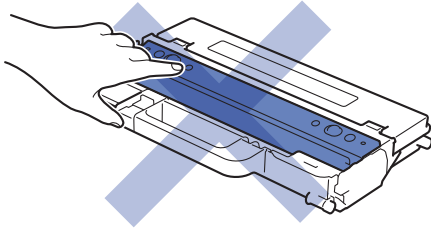


#### Belt Unit

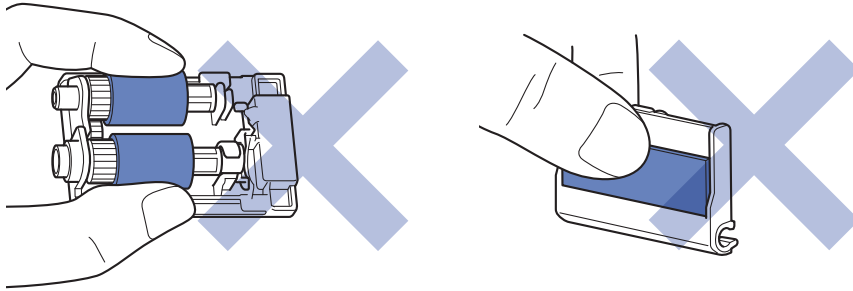




## Waste Toner Box



## Paper Feeding Kit for the Multi-purpose (MP) Tray



## NOTE

- Be sure to seal the used supplies tightly in a bag so that toner powder does not spill out of the cartridge.
- Brother is committed to minimizing the environmental impact due to waste. For more information on recycling options, contact your local recycling office or visit:
  - In USA: [www.brother-usa.com/Environment](http://www.brother-usa.com/Environment)
  - In Canada: [www.brother.ca/en/environment](http://www.brother.ca/en/environment)
- We recommend placing both the new and the used supplies on a piece of paper to prevent accidentally spilling or scattering the contents.
- Using paper that is not a direct equivalent for a recommended print media may reduce the life of supplies and machine parts.
- The projected life for each of the toner cartridges is based on ISO/IEC 19798. Frequency of replacement will vary depending on the print volume, percentage of coverage, types of media used, and powering on/off the machine.
- Frequency of replacing supplies except toner cartridges will vary depending on the print volume, types of media used, and powering on/off the machine.
- Handle the toner cartridge carefully. If toner scatters on your hands or clothes, immediately wipe or wash it off with cold water.



- DO NOT turn the waste toner box upside down, otherwise the toner may spill out.
- DO NOT touch the IC chip surfaces on the toner cartridge and the drum unit. Contamination and damage may interfere with the detection of each unit.



## Related Information

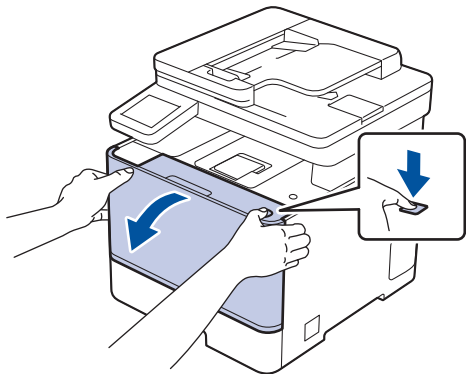
- [Routine Maintenance](#)
  - [Replace the Toner Cartridge](#)
  - [Replace the Drum Unit](#)
  - [Replace the Belt Unit](#)
  - [Replace the Waste Toner Box](#)

- 
- Replace the Fuser Unit
  - Replace the Paper Feeding Kit for the Multi-purpose (MP) Tray
-

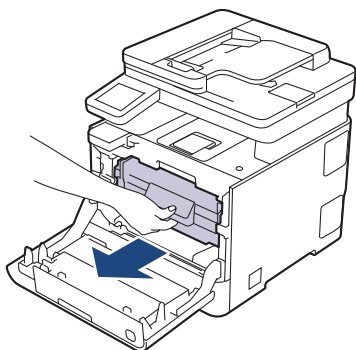
## Replace the Toner Cartridge

Before starting the replacement procedure, see *Related Information: Replace Supplies*.

1. Make sure the machine is turned on.
2. Press the front cover release button and open the front cover.



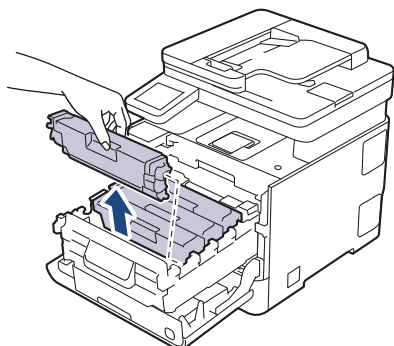
3. Hold the drum unit's green labeled handle. Pull the drum unit out of the machine until it stops.



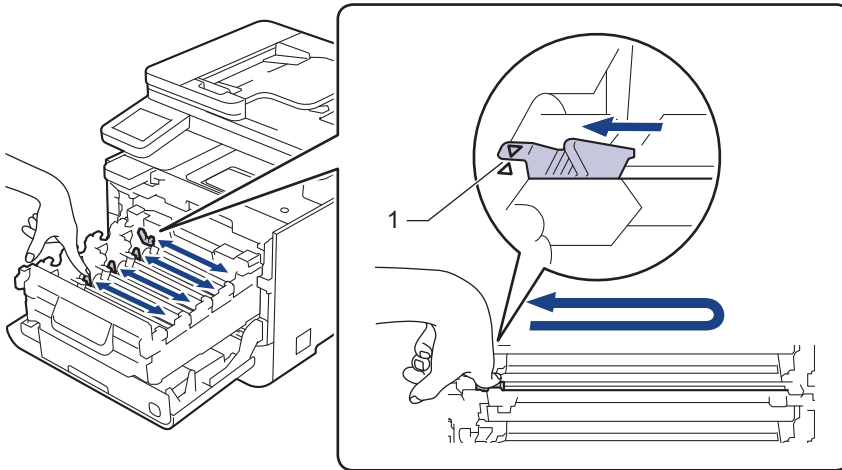
### IMPORTANT


We recommend placing the toner cartridge and drum unit assembly on a clean, flat surface with disposable paper underneath it in case you accidentally spill or scatter toner.

4. Hold the handle of the toner cartridge and pull the toner cartridge up and out of the drum unit. Repeat this for all toner cartridges.

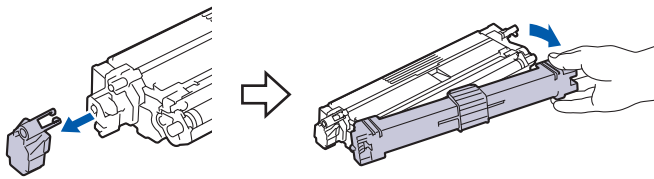


5. Clean the corona wire inside the drum unit by gently sliding the green tab from left to right and right to left several times. Repeat this for all the corona wires.

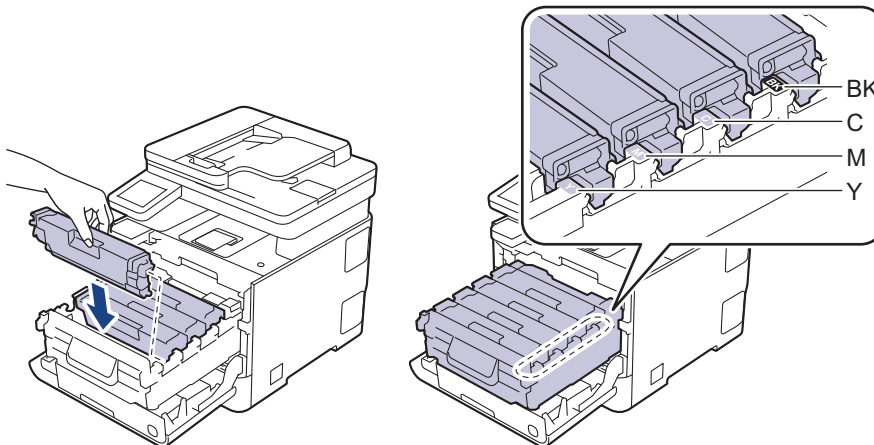


 To avoid poor print quality, be sure to lock the green tab into the home position (1), flush left with the left side of the drum.


6. Unpack the new toner cartridge.
7. Remove the protective materials.



8. Insert the toner cartridge into the drum unit. Make sure that you match the toner cartridge color to the same color label on the drum unit. Repeat this for all toner cartridges.

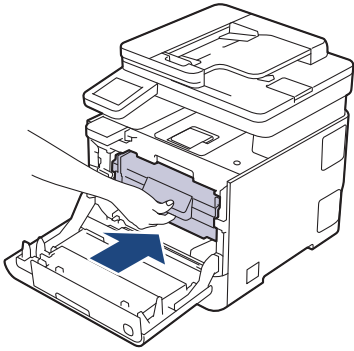


- BK: Black
- C: Cyan
- M: Magenta
- Y: Yellow

 Make sure you put the toner cartridge in correctly or it may separate from the drum unit.

---

9. Using the green labeled handle, push the drum unit back into the machine until it locks in place.



10. Close the machine's front cover.



- After replacing a toner cartridge, **DO NOT** turn off the machine or open the front cover until the machine's display returns to Ready Mode.
- The toner cartridge that comes with your Brother machine is a Starter toner cartridge.
- We recommend keeping a new toner cartridge ready for use when you see the Toner Low warning.
- **DO NOT** unpack the new toner cartridge until you are ready to install it.
- If a toner cartridge is left unpacked for a long time, the toner life will be shortened.
- We recommend using genuine Brother supplies to ensure stable print quality and performance. Although not all non-genuine supplies may cause quality issues, it is possible that some may adversely affect print quality or cause machine malfunction. Brother may charge for repairing your machine if it is proven that non-genuine supplies caused the damage, even if the machine is still covered by the warranty.



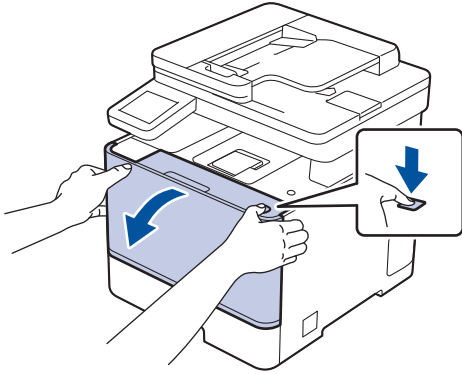
### Related Information

- [Replace Supplies](#)

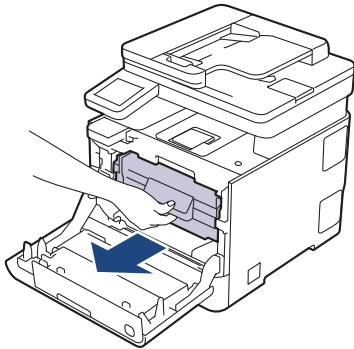
## Replace the Drum Unit

Before starting the replacement procedure, see *Related Information: Replace Supplies*.

1. Make sure the machine is turned on.
2. Press the front cover release button and open the front cover.



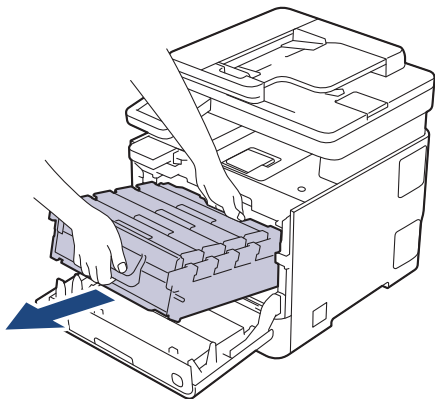
3. Hold the drum unit's green labeled handle. Pull the drum unit out of the machine until it stops.



### IMPORTANT

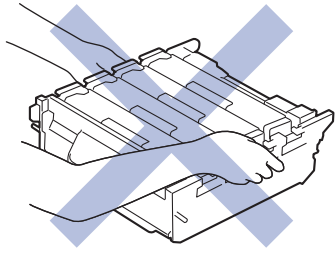
We recommend placing the toner cartridge and drum unit assembly on a clean, flat surface with disposable paper underneath it in case you accidentally spill or scatter toner.

4. Holding the green labeled handles of the drum unit, lift the front of the drum unit and remove it from the machine.

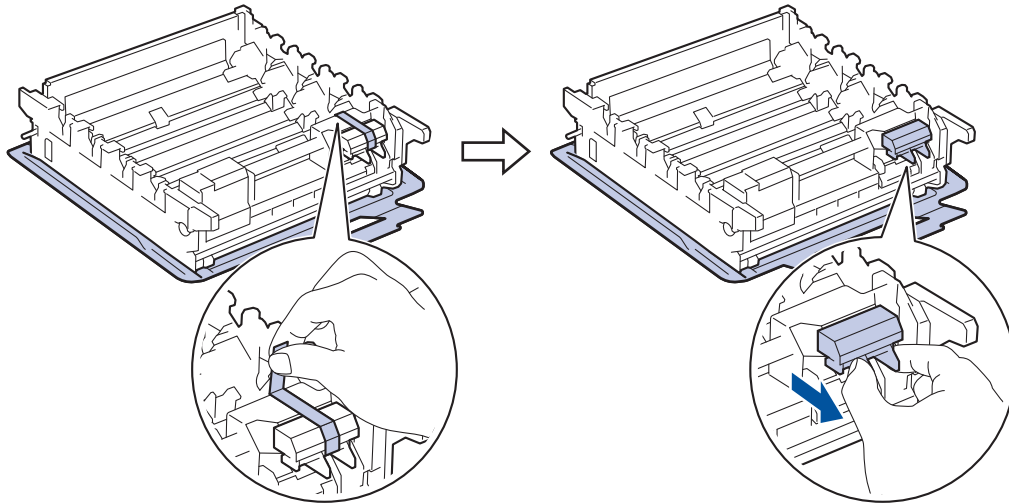


### IMPORTANT

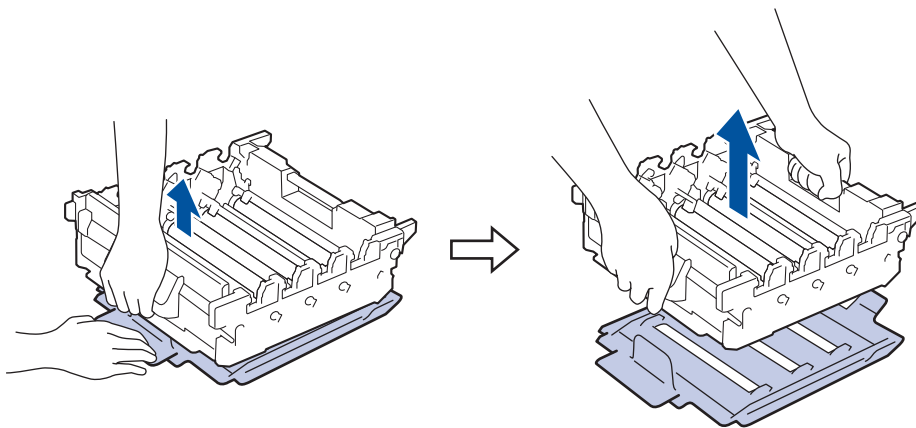
Hold the handles of the drum unit when you carry it. DO NOT hold the sides of the drum unit.



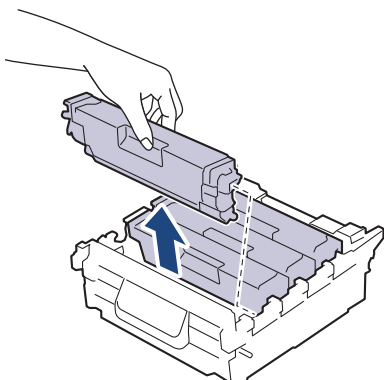
5. Unpack the new drum unit.
6. Remove the blue tape from the back of the drum unit, and then remove the protective cover.



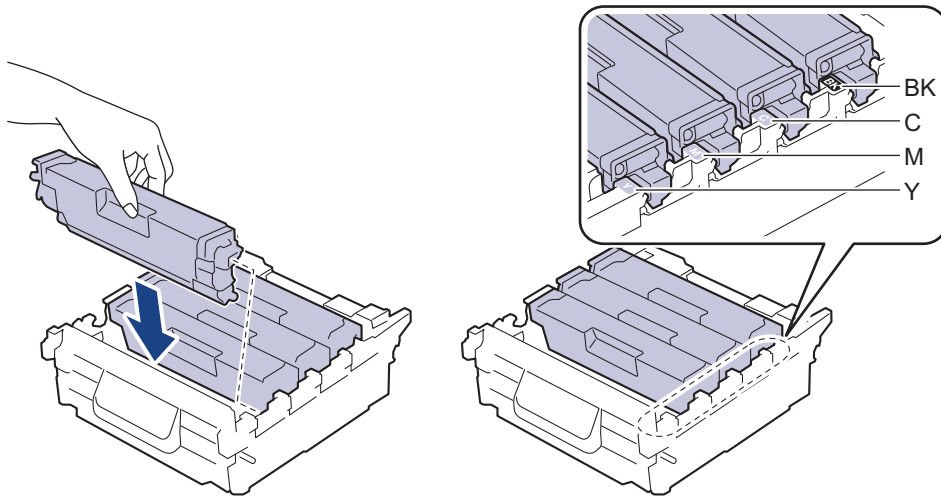
7. Remove the protective cover under the drum unit.



8. Hold the handle of the toner cartridge and pull the toner cartridge up and out of the drum unit. Repeat this for all toner cartridges.



9. Reinsert the toner cartridge into the new drum unit. Make sure that you match the toner cartridge color to the same color label on the drum unit. Repeat this for all toner cartridges.

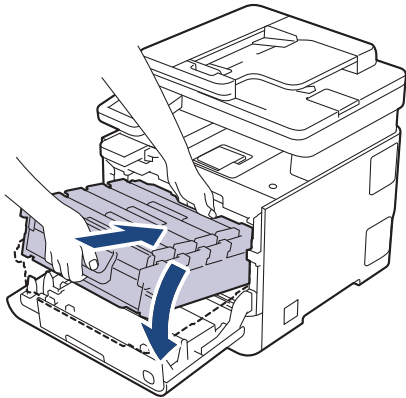


- BK: Black
- C: Cyan
- M: Magenta
- Y: Yellow

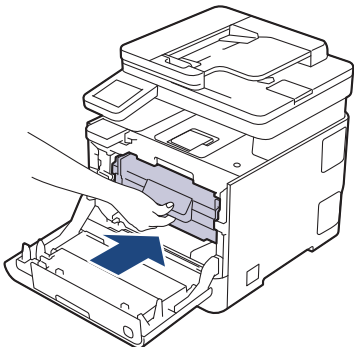


Make sure you put the toner cartridge in correctly or it may separate from the drum unit.

10. Gently slide the drum unit into the machine until it stops.



11. Using the green labeled handle, push the drum unit back into the machine until it locks in place.



12. Close the machine's front cover.

## NOTE

- Drum wear and tear occurs due to use and rotation of the drum and interaction with paper, toner, and other materials in the paper path. In designing this product, Brother decided to use the number of



---

rotations of the drum as a reasonable determinant of the drum life. When a drum reaches the factory-established rotation limit corresponding to the rated page yield, the product's LCD will advise you to replace the drum. The product will continue to function; however, print quality may not be optimal.

- If an unpacked drum unit is placed in direct sunlight (or artificial light for long periods of time), the unit may be damaged.
- There are many factors that determine the actual drum life, such as the temperature, humidity, type of paper, type of toner used and so on. Under ideal conditions, the average drum life is estimated at:
  - Approximately 30,000 pages based on one page per job (A4/letter single-sided pages)
  - Approximately 50,000 pages based on three pages per job (A4/letter single-sided pages)

The number of pages may be affected due to a variety of factors including but not limited to media type and media size.

Because we have no control over the many factors that determine the actual drum life, we cannot guarantee a minimum number of pages that will be printed by your drum.

- The machine should be used only in a clean, dust-free environment with adequate ventilation.

We recommend using genuine Brother supplies to ensure stable print quality and performance. Although not all non-genuine supplies may cause quality issues, it is possible that some may adversely affect print quality or cause machine malfunction. Brother may charge for repairing your machine if it is proven that non-genuine supplies caused the damage, even if the machine is still covered by the warranty.



## Related Information

- [Replace Supplies](#)
-

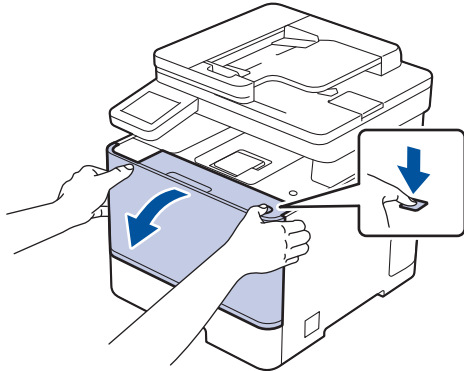
## Replace the Belt Unit

Before starting the replacement procedure, see *Related Information: Replace Supplies*.

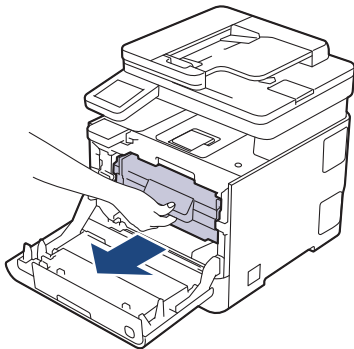
- >> [Replace the Belt Unit](#)
- >> [Reset the Belt Unit Counter](#)

### Replace the Belt Unit

1. Make sure the machine is turned on.
2. Press the front cover release button and open the front cover.



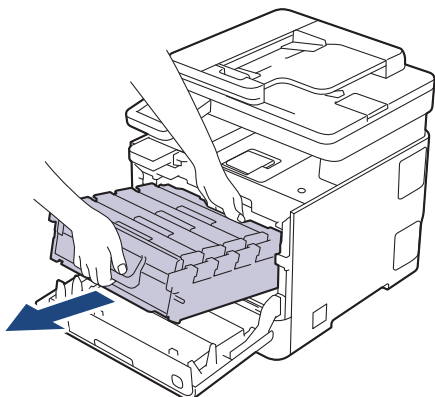
3. Hold the drum unit's green labeled handle. Pull the drum unit out of the machine until it stops.



### IMPORTANT

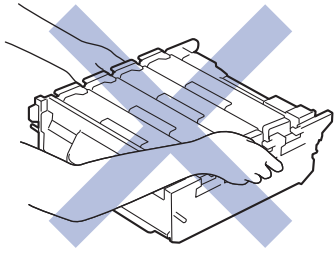
We recommend placing the toner cartridge and drum unit assembly on a clean, flat surface with disposable paper underneath it in case you accidentally spill or scatter toner.

4. Holding the green labeled handles of the drum unit, lift the front of the drum unit and remove it from the machine.

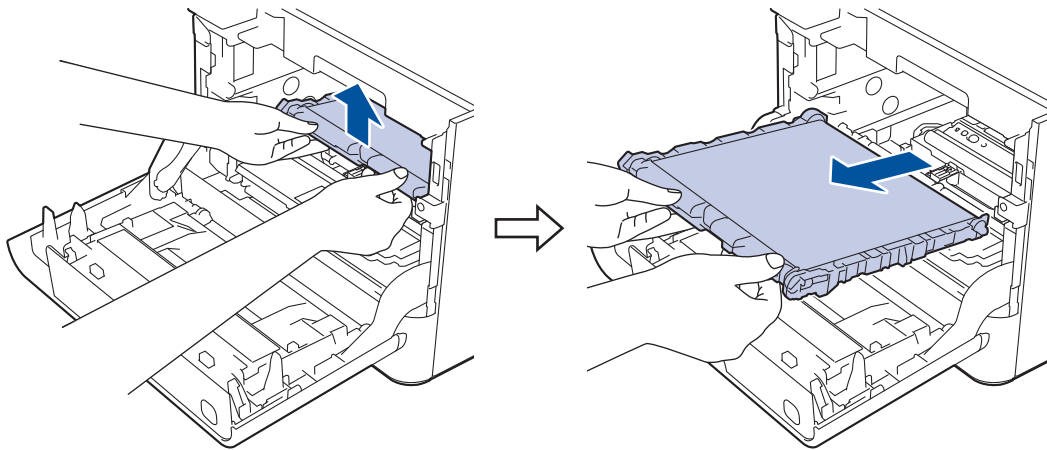


## IMPORTANT

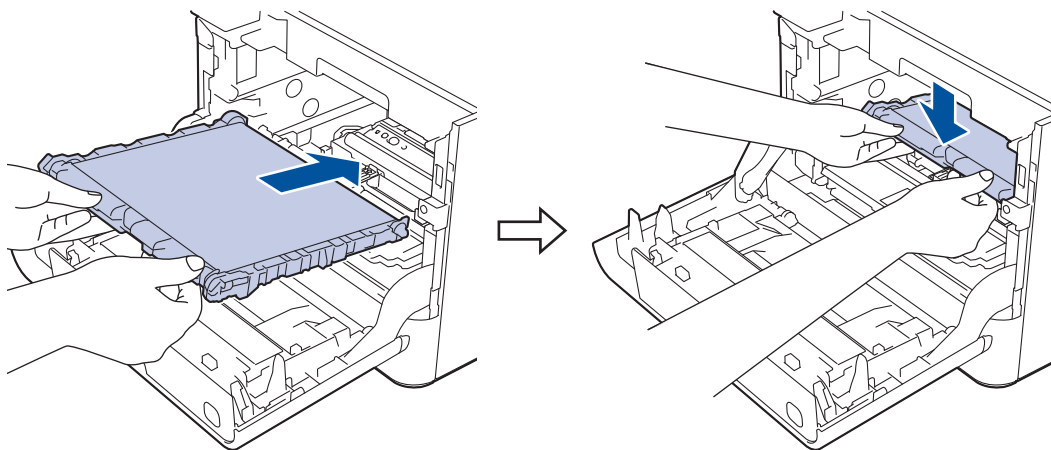
Hold the handles of the drum unit when you carry it. DO NOT hold the sides of the drum unit.



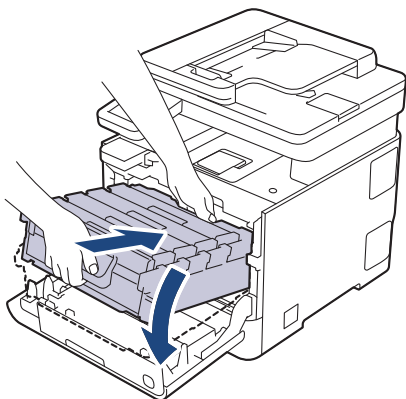
5. Hold the handle of the belt unit with both hands and lift the belt unit up, then pull it out.



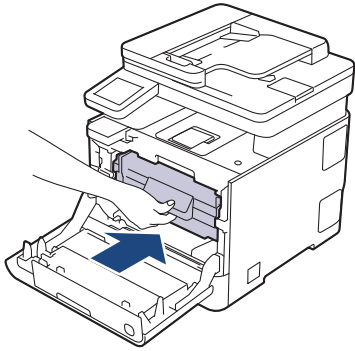
6. Unpack the new belt unit and install it in the machine. Make sure the belt unit is level and fits firmly into place.



7. Gently slide the drum unit into the machine until it stops.




- 
- Using the green labeled handle, push the drum unit back into the machine until it locks in place.



- Close the machine's front cover.

## Reset the Belt Unit Counter

- Make sure the machine is turned on.
- Press and hold  (Toner) for about five seconds.
- Press [Belt].
- Press [Yes].



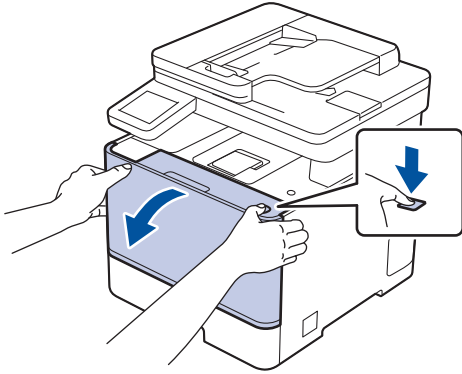
### Related Information

- [Replace Supplies](#)

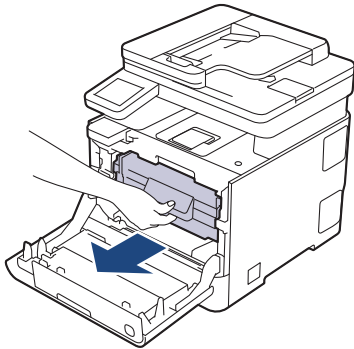
## Replace the Waste Toner Box

Before starting the replacement procedure, see *Related Information: Replace Supplies*.

1. Make sure the machine is turned on.
2. Press the front cover release button and open the front cover.



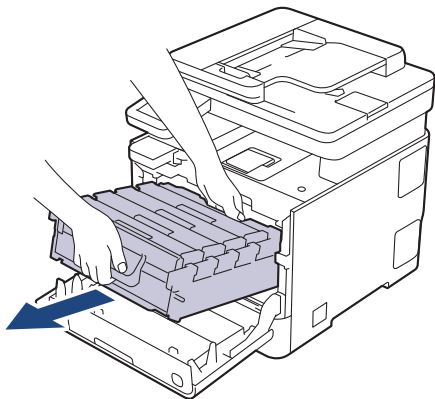
3. Hold the drum unit's green labeled handle. Pull the drum unit out of the machine until it stops.



### IMPORTANT

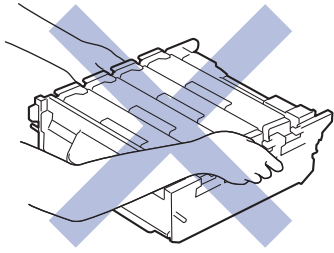
We recommend placing the toner cartridge and drum unit assembly on a clean, flat surface with disposable paper underneath it in case you accidentally spill or scatter toner.

4. Holding the green labeled handles of the drum unit, lift the front of the drum unit and remove it from the machine.

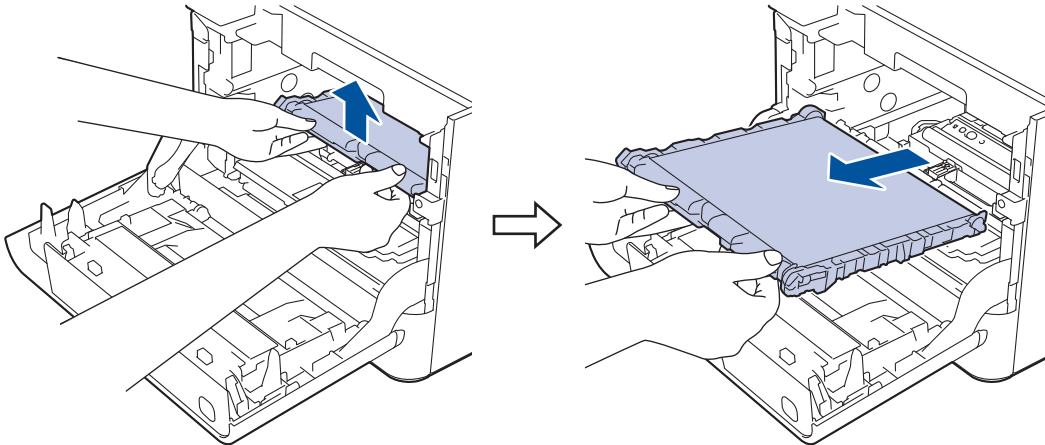


### IMPORTANT

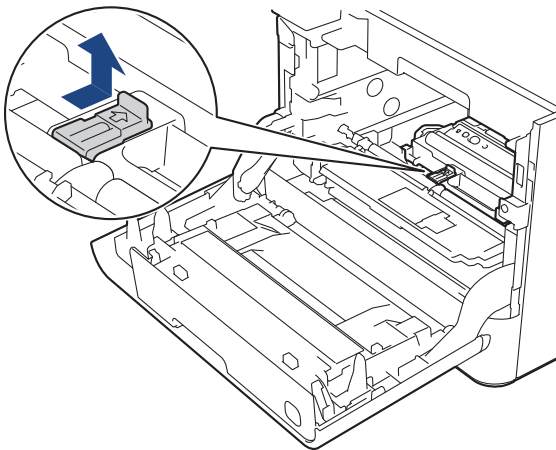
Hold the handles of the drum unit when you carry it. DO NOT hold the sides of the drum unit.



5. Hold the handle of the belt unit with both hands and lift the belt unit up, then pull it out.

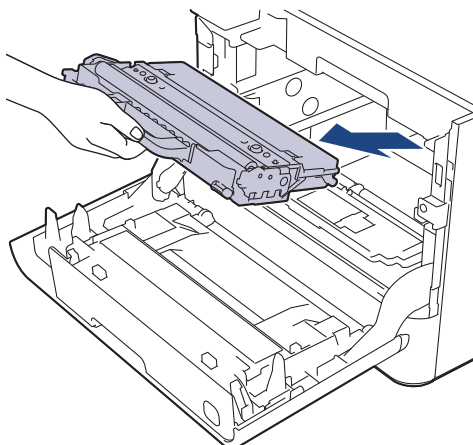


6. Remove the orange packing material.



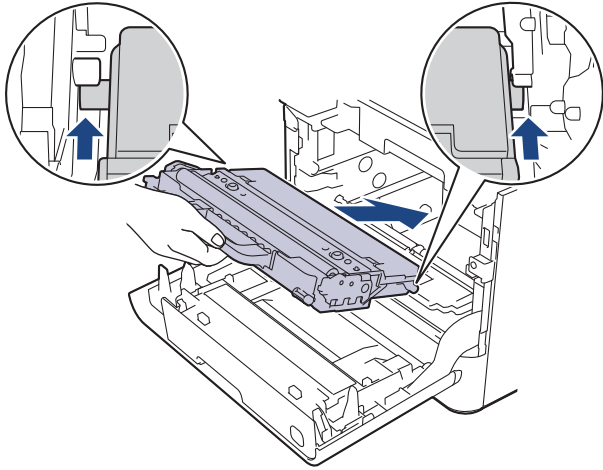
This step is only necessary when you are replacing the waste toner box for the first time.

7. Hold the green handle of the waste toner box and remove the waste toner box from the machine.



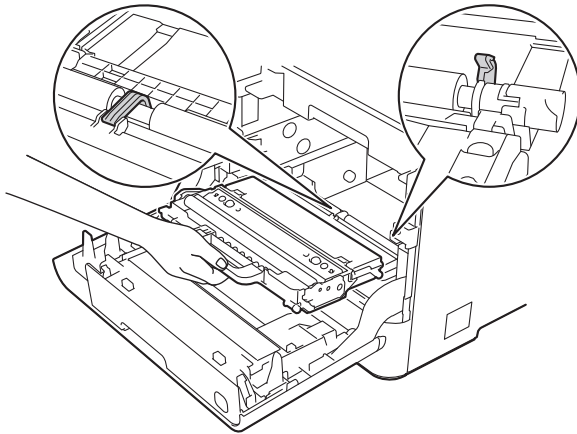
DO NOT reuse the waste toner box.

- 
8. Unpack the new waste toner box and install the new waste toner box in the machine using the green handle. Make sure the waste toner box is level and fits firmly into place.



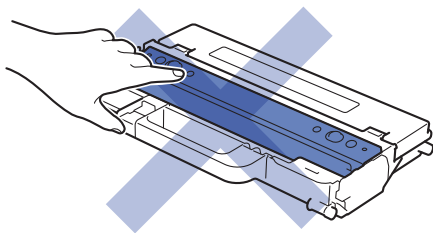
### IMPORTANT

To avoid breaking the clips, insert the waste toner box so that it does not hit the clips.



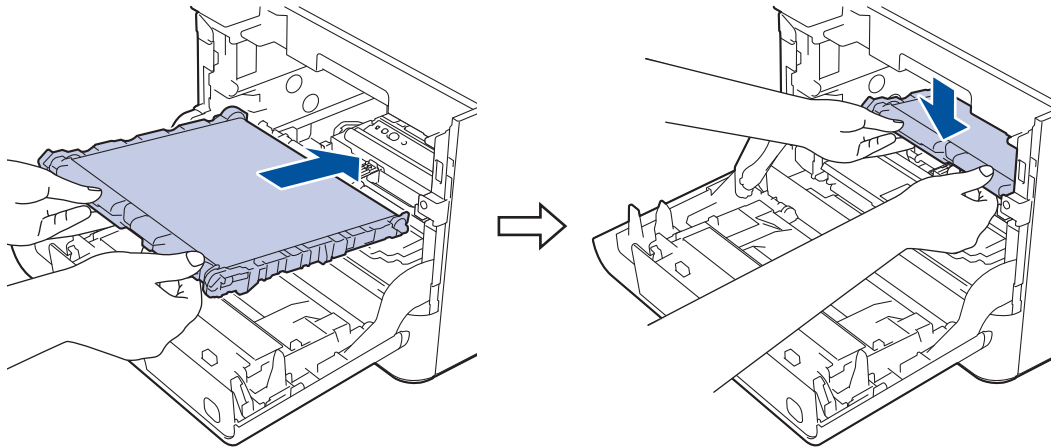
### NOTE

To avoid print quality problems, DO NOT touch the shaded parts shown in the illustrations.

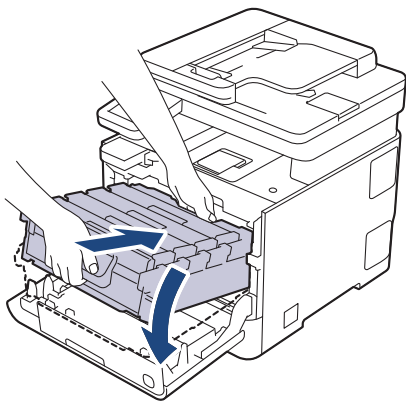


---

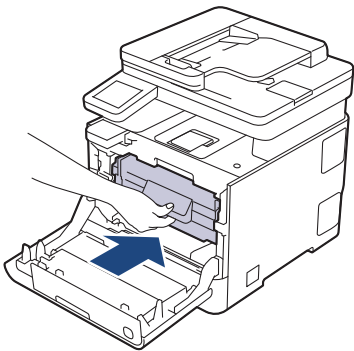
9. Slide the belt unit back into the machine. Make sure the belt unit is level and fits firmly into place.



10. Gently slide the drum unit into the machine until it stops.




11. Using the green labeled handle, push the drum unit back into the machine until it locks in place.



12. Close the machine's front cover.

---

 **Related Information**

- [Replace Supplies](#)




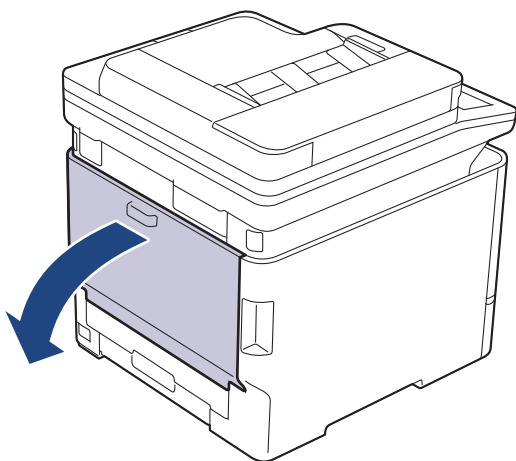
## Replace the Fuser Unit

Before starting the replacement procedure, see *Related Information: Replace Supplies*.

- >> [Replace the Fuser Unit](#)
- >> [Reset the Fuser Unit Counter](#)

### Replace the Fuser Unit

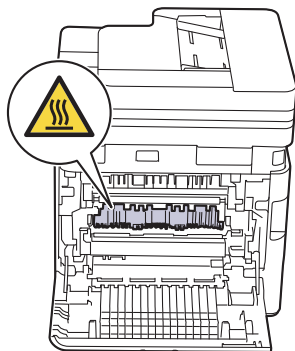
1. Press and hold  to turn off the machine.
2. Unplug the power cord from the AC power outlet.
3. Open the back cover.



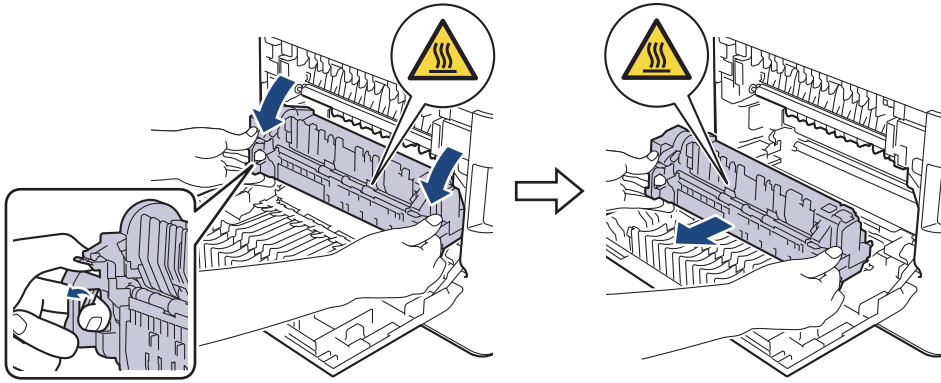
### WARNING

#### HOT SURFACE

The machine's internal parts will be extremely hot. Wait for the machine to cool down before touching them.

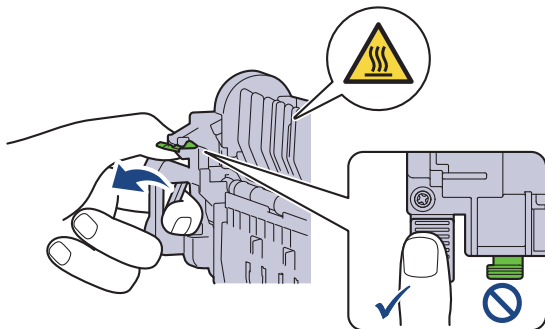


4. Holding the handles on both sides, squeeze the gray levers on the fuser unit and pull downward. Apply downward pressure on the fuser unit and pull it out of the machine.

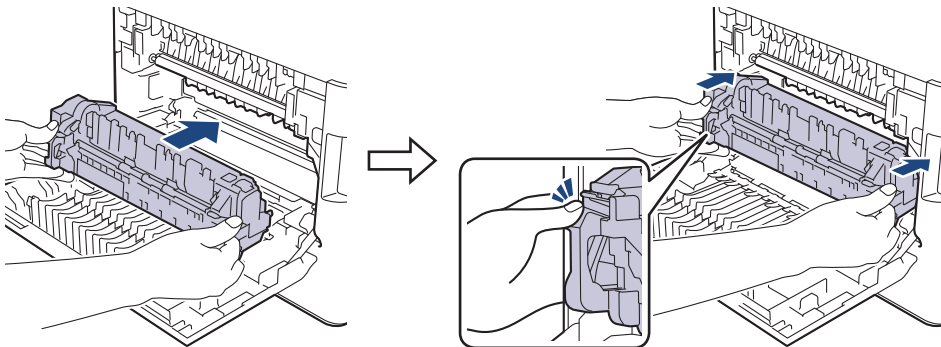


## NOTE

DO NOT pull the green tabs down.




5. Unpack the new fuser unit.
6. Push the new fuser unit firmly into the machine. Be sure to insert the fuser unit completely into the machine.




## IMPORTANT

Do not use a fuser unit if it has been dropped.

7. Close the back cover until it locks in the closed position.
8. Plug in the power cord and press  to turn on the machine.

## Reset the Fuser Unit Counter

1. Make sure the machine is turned on.
2. Press and hold  (**Toner**) for about five seconds.
3. Press [Fuser].
4. Press [Yes].



## Related Information


- [Replace Supplies](#)

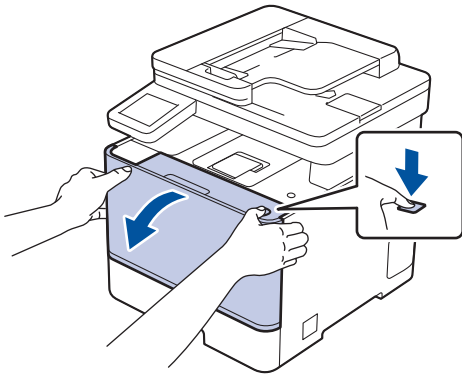
## Replace the Paper Feeding Kit for the Multi-purpose (MP) Tray

Before starting the replacement procedure, see *Related Information: Replace Supplies*.

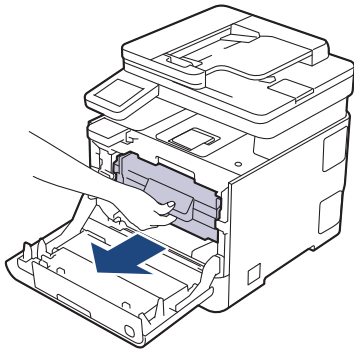
- >> [Replace the Paper Feeding Kit for the Multi-purpose \(MP\) Tray](#)
- >> [Reset the Paper Feeding Kit for the Multi-purpose \(MP\) Tray Counter](#)

### Replace the Paper Feeding Kit for the Multi-purpose (MP) Tray

1. Press and hold  to turn off the machine.
2. Unplug the power cord from the AC power outlet.
3. Press the front cover release button and open the front cover.



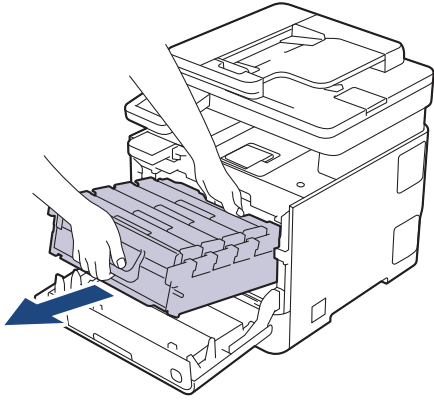
4. Hold the drum unit's green labeled handle. Pull the drum unit out of the machine until it stops.



#### IMPORTANT

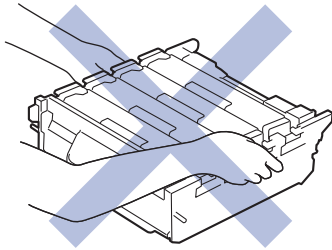
We recommend placing the toner cartridge and drum unit assembly on a clean, flat surface with disposable paper underneath it in case you accidentally spill or scatter toner.

- 
5. Holding the green labeled handles of the drum unit, lift the front of the drum unit and remove it from the machine.

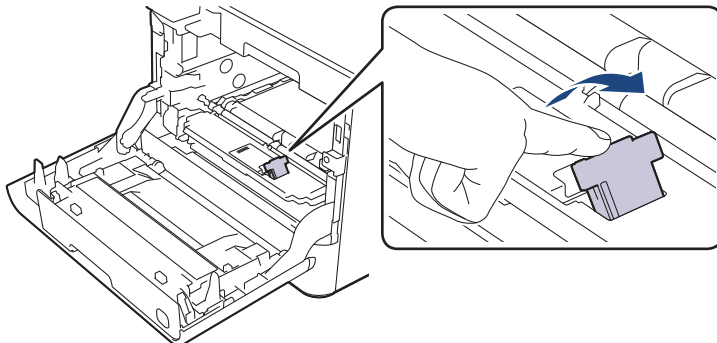


## IMPORTANT

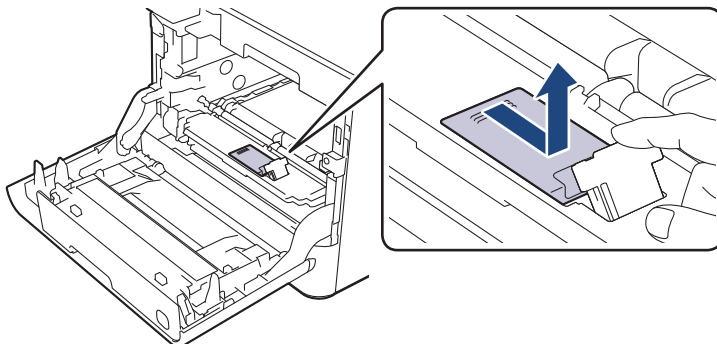
Hold the handles of the drum unit when you carry it. DO NOT hold the sides of the drum unit.



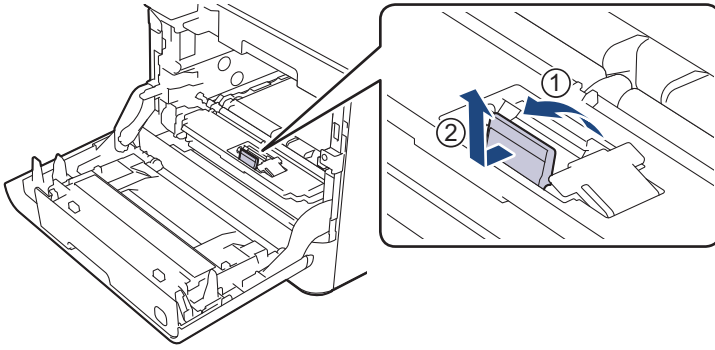
- 
6. Raise the MP roller holder stopper.



7. Slide the MP roller holder to the right, and then remove it.

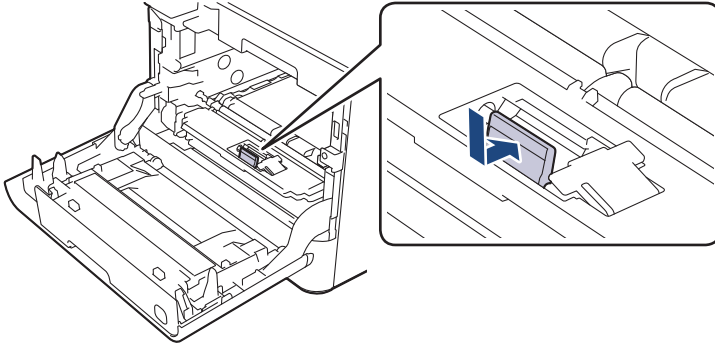


8. Raise the MP separation pad, and then pull it straight up and out of the machine.

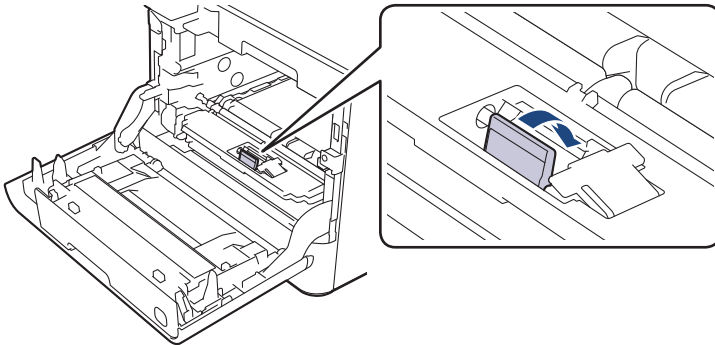


9. Unpack the new paper feeding kit for the MP tray.

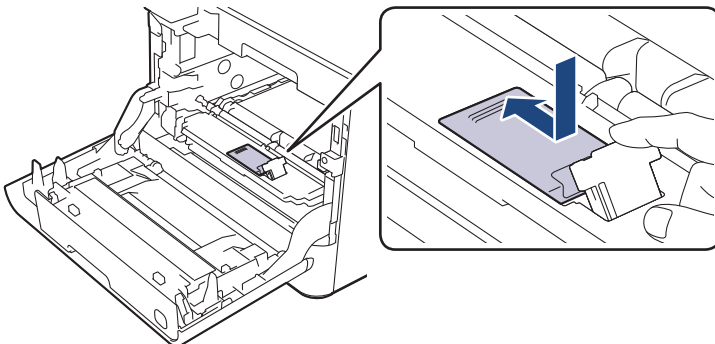
10. Insert the new MP separation pad with the gray pad facing you.



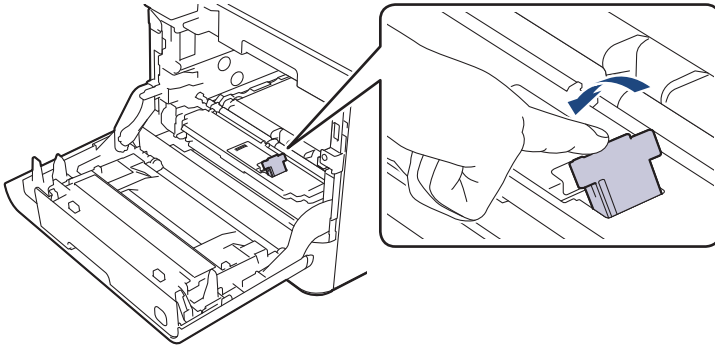
11. Press the MP separation pad forward until you hear a click.



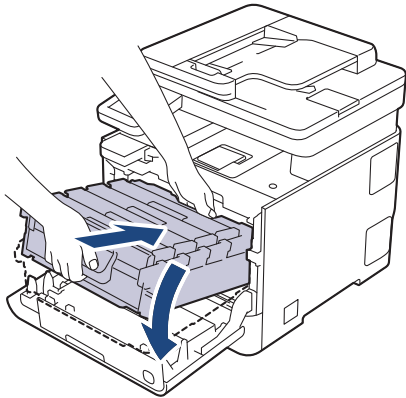
12. Insert the MP roller holder, and then slide it to the left.



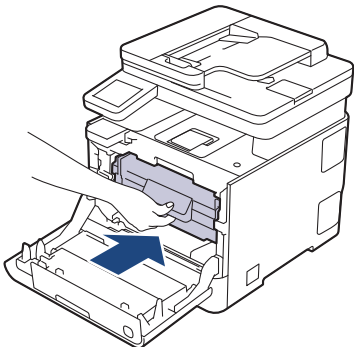
13. Press down to close the MP roller holder stopper.




14. Gently slide the drum unit into the machine until it stops.




15. Using the green labeled handle, push the drum unit back into the machine until it locks in place.



16. Close the machine's front cover.

17. Plug in the power cord and press  to turn on the machine.

## Reset the Paper Feeding Kit for the Multi-purpose (MP) Tray Counter

1. Make sure the machine is turned on.
2. Press and hold  (Toner) for about five seconds.
3. Press [PF Kit MP].
4. Press [Yes].

### Related Information

- [Replace Supplies](#)

## Clean the Machine

Clean the outside and inside of the machine regularly with a dry, lint-free cloth.

When you replace the toner cartridge or the drum unit, make sure you clean the inside of the machine. If printed pages are stained with toner, clean the inside of the machine with a dry, lint-free cloth.

### WARNING

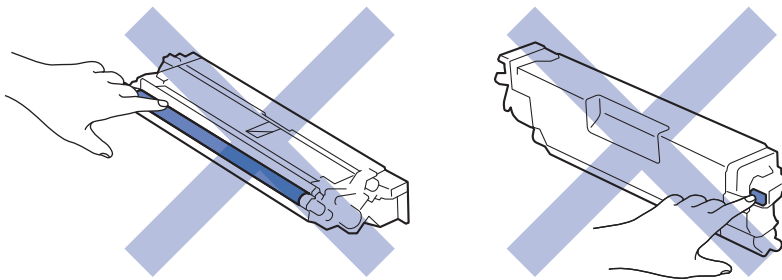
DO NOT use flammable substances, any type of spray, or an organic solvent/liquid containing alcohol or ammonia to clean the inside or outside of the product. Doing so could cause a fire. Instead, use only a dry, lint-free cloth.



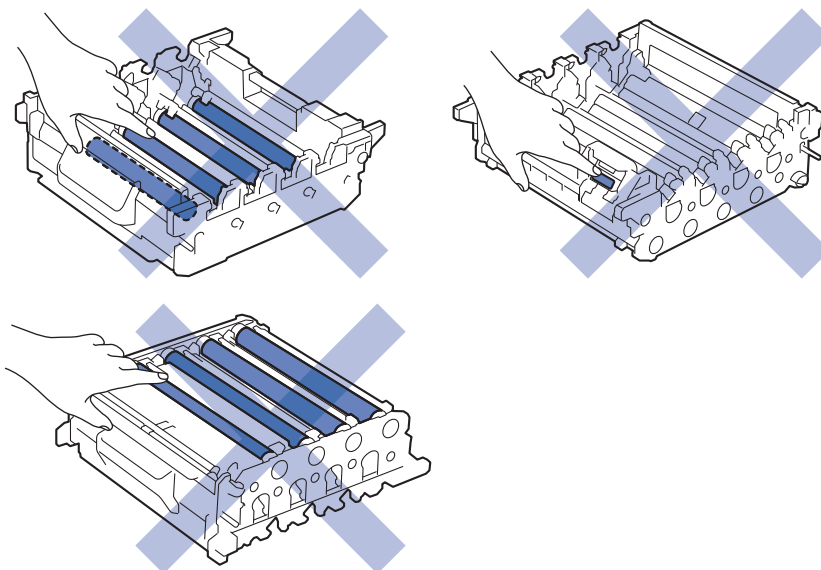
### IMPORTANT

- DO NOT use isopropyl alcohol to remove dirt from the control panel. It may crack the panel.
- To avoid print quality problems, DO NOT touch the shaded parts shown in the illustrations.

#### Toner Cartridge



#### Drum Unit



DO NOT touch the IC chip surfaces on the toner cartridge and the drum unit. Contamination and damage may interfere with the detection of each unit.






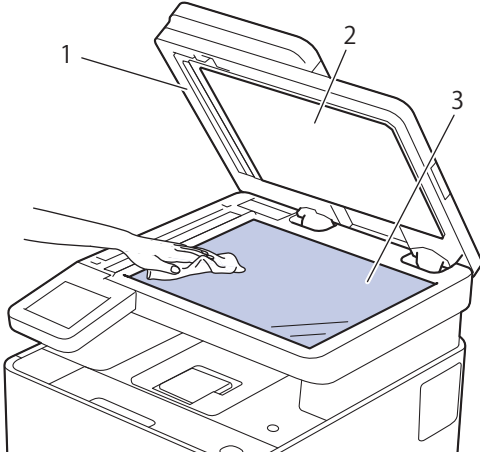
## Related Information

- Routine Maintenance
    - Clean the Scanner
    - Clean the Touchscreen LCD
    - Clean the Corona Wires
    - Clean the Drum Unit
    - Clean the Paper Pick-up Rollers
-

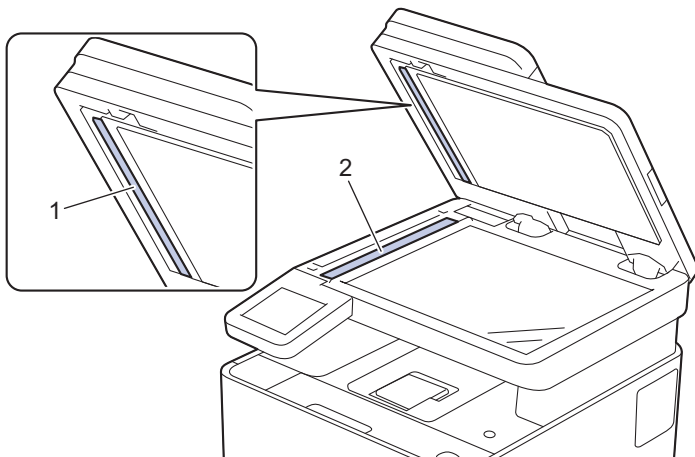
## Clean the Scanner

Before starting the cleaning procedure, see *Related Information: Clean the Machine*.

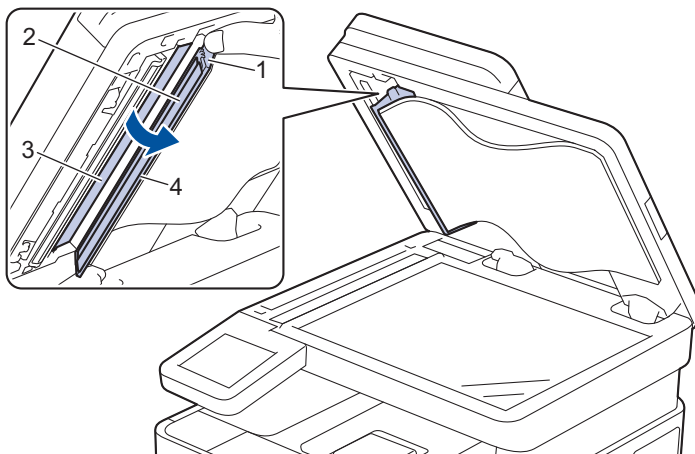
1. Press and hold  to turn off the machine.
2. Lift the document cover (1). Clean the white plastic surface (2) and scanner glass (3) underneath it with a soft lint-free cloth moistened with water.



3. In the ADF unit, clean the white bar (1) and the scanner glass strip (2) underneath it with a soft lint-free cloth moistened with water.



4. (For automatic 2-sided scanning models) Open the scanner glass cover (1), and then clean the other white bar (2) and scanner glass strip (3).




---

## IMPORTANT

Do not touch the film (4).

---

5. Close the document cover.
6. Press  to turn on the machine.

## Related Information


- [Clean the Machine](#)
-

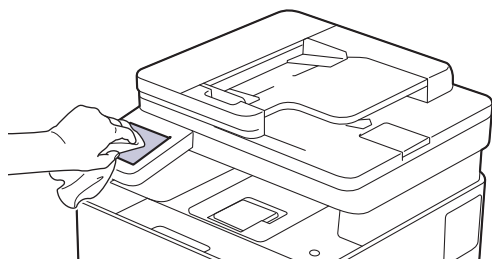
## Clean the Touchscreen LCD


Before starting the cleaning procedure, see *Related Information: Clean the Machine*.

### IMPORTANT

DO NOT use any type of liquid cleaners (including ethanol).

1. Press and hold  to turn off the machine.
2. Clean the touchscreen with a dry, soft lint-free cloth.



3. Press  to turn on the machine.

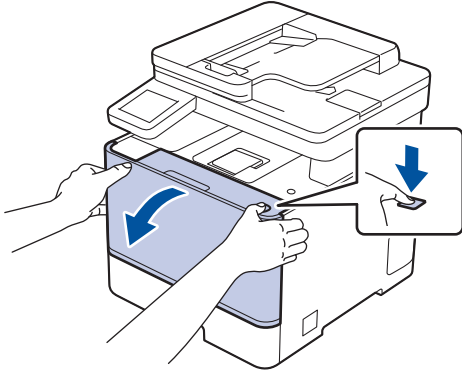
### ✓ Related Information

- [Clean the Machine](#)

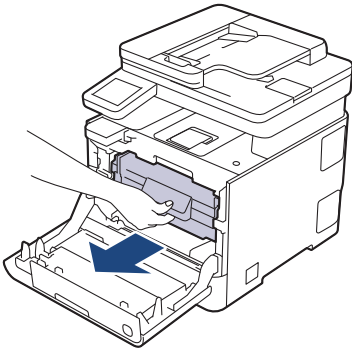
## Clean the Corona Wires

Before starting the cleaning procedure, see *Related Information: Clean the Machine*.

1. Press the front cover release button and open the front cover.



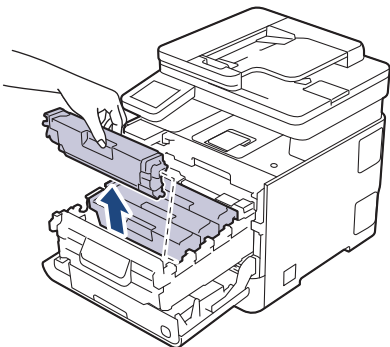
2. Hold the drum unit's green labeled handle. Pull the drum unit out of the machine until it stops.



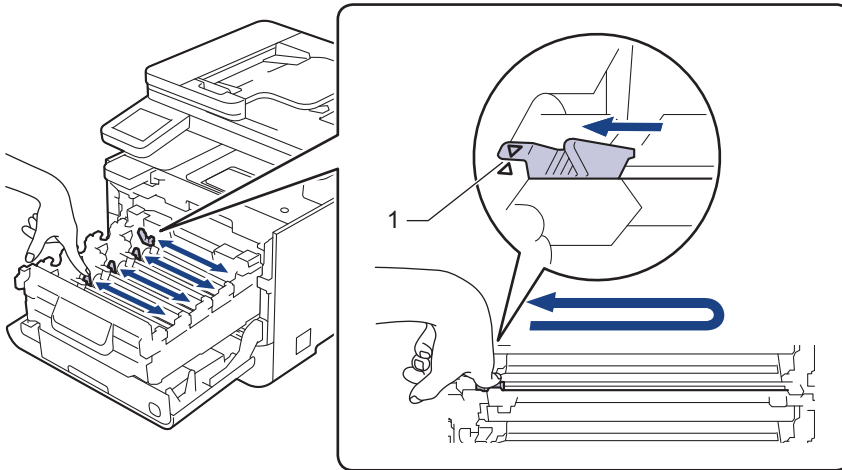
### IMPORTANT

We recommend placing the toner cartridge and drum unit assembly on a clean, flat surface with disposable paper underneath it in case you accidentally spill or scatter toner.

3. Hold the handle of the toner cartridge and pull the toner cartridge up and out of the drum unit. Repeat this for all toner cartridges.

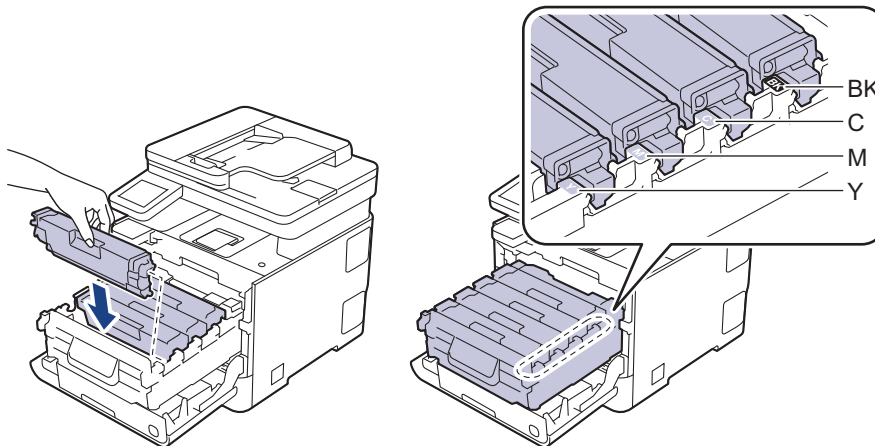


4. Clean the corona wire inside the drum unit by gently sliding the green tab from left to right and right to left several times. Repeat this for all the corona wires.



To avoid poor print quality, be sure to lock the green tab into the home position (1), flush left with the left side of the drum.

5. Insert the toner cartridge into the drum unit. Make sure that you match the toner cartridge color to the same color label on the drum unit. Repeat this for all toner cartridges.

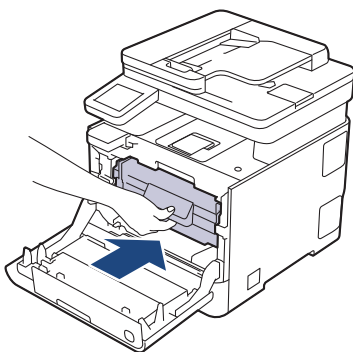


- BK: Black
- C: Cyan
- M: Magenta
- Y: Yellow



Make sure you put the toner cartridge in correctly or it may separate from the drum unit.

6. Using the green labeled handle, push the drum unit back into the machine until it locks in place.



7. Close the machine's front cover.




## Related Information

- [Clean the Machine](#)



## Clean the Drum Unit

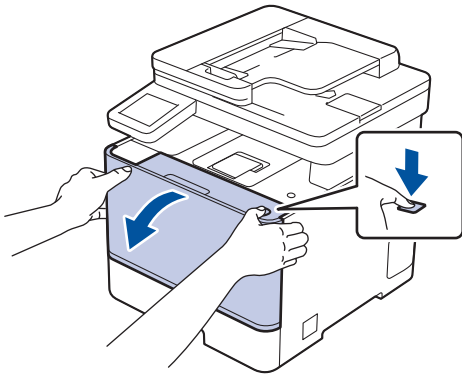
- If your printout has black or white dots or other repeating marks at 3.0 in. (75 mm) intervals, the drum may have foreign material, such as glue from a label, stuck on the drum surface.
- Before starting the cleaning procedure, see *Related Information: Clean the Machine*.

1. Make sure the machine is in Ready Mode.
2. Press  [Settings] > [All Settings] > [Print Reports] > [Drum Dot Print].

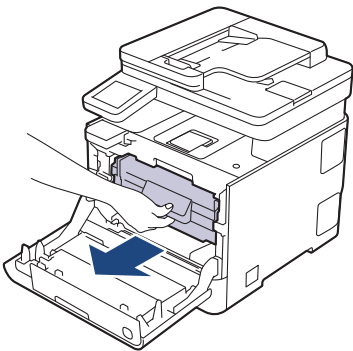


If your machine displays the [All Settings] menu on the Home screen, skip the [Settings] menu.

3. Press [Yes].  
The machine prints the Drum Dot Check Sheet.
4. Press .
5. Press and hold  to turn off the machine.
6. Press the front cover release button and open the front cover.



7. Hold the drum unit's green labeled handle. Pull the drum unit out of the machine until it stops.

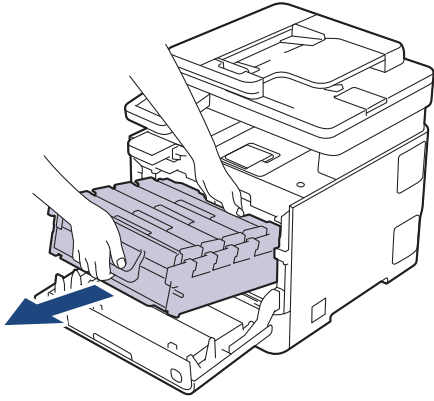


### IMPORTANT

We recommend placing the toner cartridge and drum unit assembly on a clean, flat surface with disposable paper underneath it in case you accidentally spill or scatter toner.

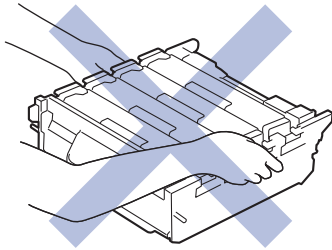


8. Holding the green labeled handles of the drum unit, lift the front of the drum unit and remove it from the machine.

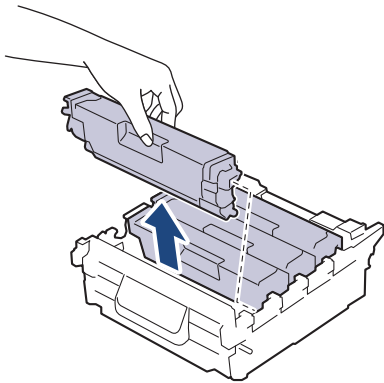


## IMPORTANT

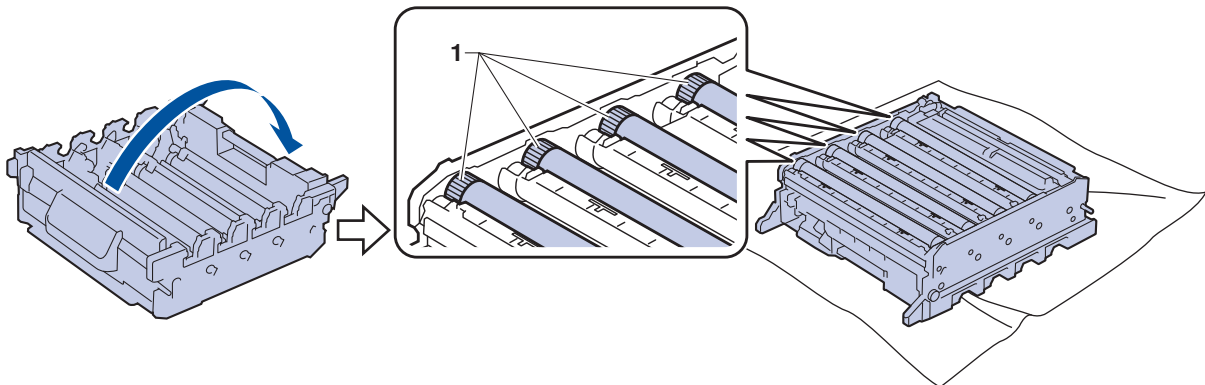
Hold the handles of the drum unit when you carry it. DO NOT hold the sides of the drum unit.



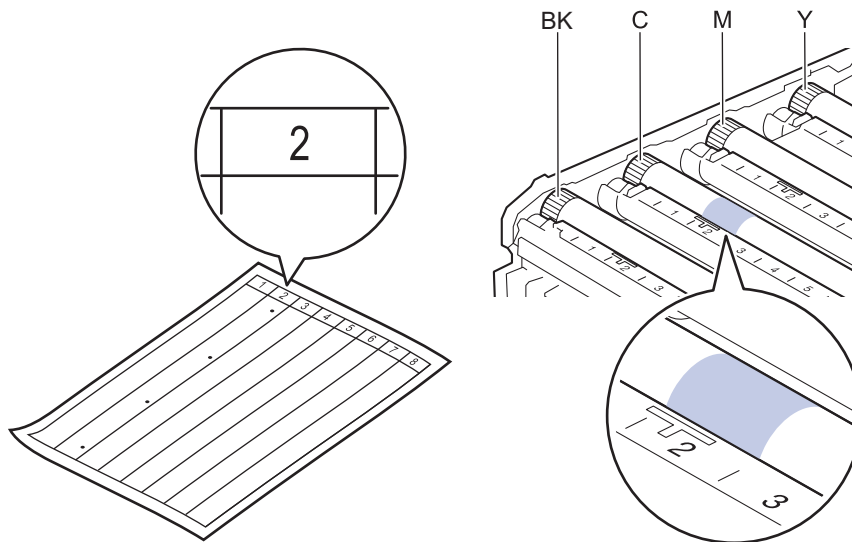
9. Hold the handle of the toner cartridge and pull the toner cartridge up and out of the drum unit. Repeat this for all toner cartridges.



10. Turn the drum unit over by holding the green labeled handles. Make sure that the drum unit gears (1) are on the side shown in the illustration.

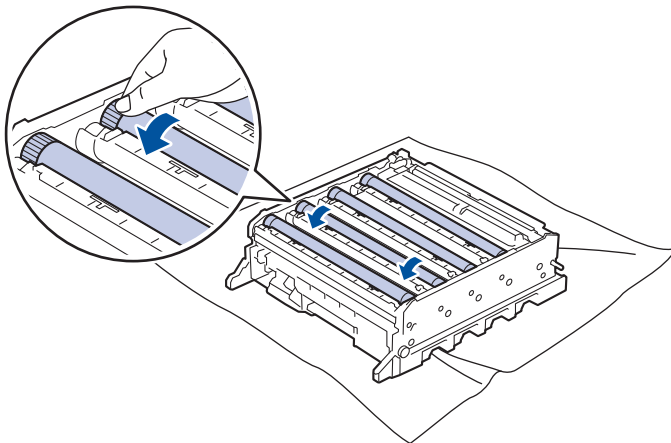


11. Use the column numbers next to the drum roller to find the mark. For example, a cyan dot in column 2 on the check sheet would mean that there is a mark in the "2" region of the cyan drum.



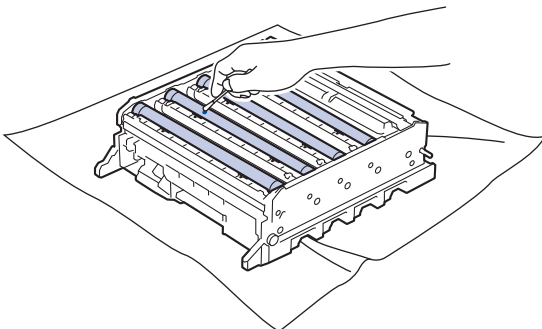
- BK: Black
- C: Cyan
- M: Magenta
- Y: Yellow

12. Hold the drum unit frame with both hands, place your thumb on the drum unit gear, and roll the drum toward you by hand while looking at the surface of the suspected area.



To avoid print quality problems, DO NOT touch any surface of the drum rollers except the drum unit gear.

13. Wipe the surface of the drum gently with a dry cotton swab until the mark on the surface comes off.

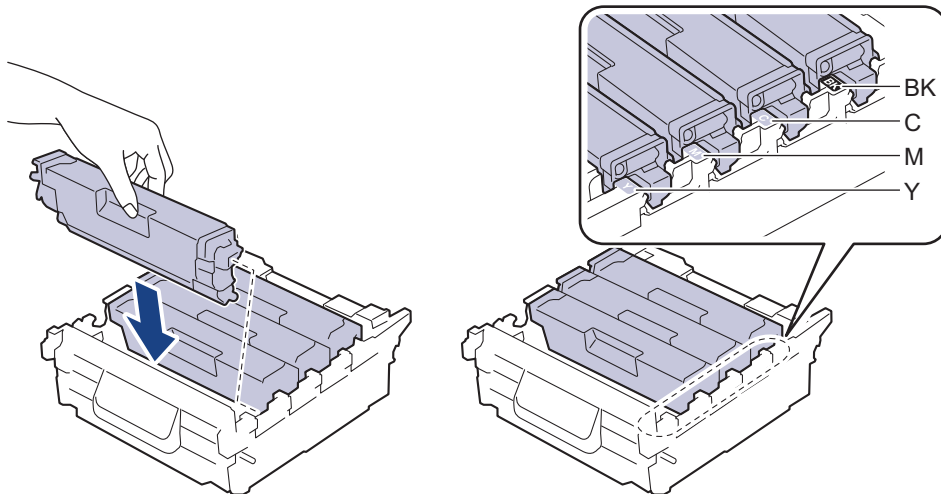


## NOTE

DO NOT clean the surface of the photosensitive drum with a sharp object or any liquids.

14. Turn the drum unit over by holding the green labeled handles.

15. Reinsert the toner cartridge into the drum unit. Make sure that you match the toner cartridge color to the same color label on the drum unit. Repeat this for all toner cartridges.

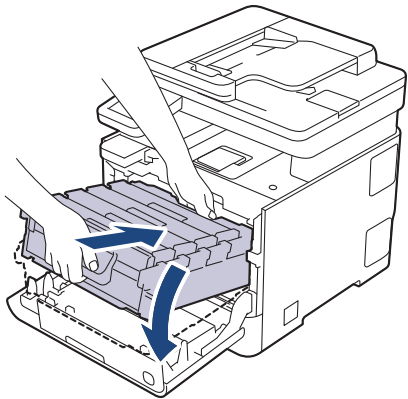


- BK: Black
- C: Cyan
- M: Magenta
- Y: Yellow

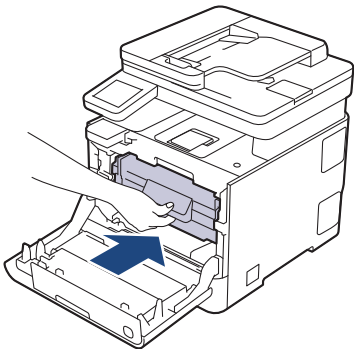


Make sure you put the toner cartridge in correctly or it may separate from the drum unit.


16. Gently slide the drum unit into the machine until it stops.



17. Using the green labeled handle, push the drum unit back into the machine until it locks in place.



18. Close the machine's front cover.

19. Press  to turn on the machine.



## Related Information


- [Clean the Machine](#)

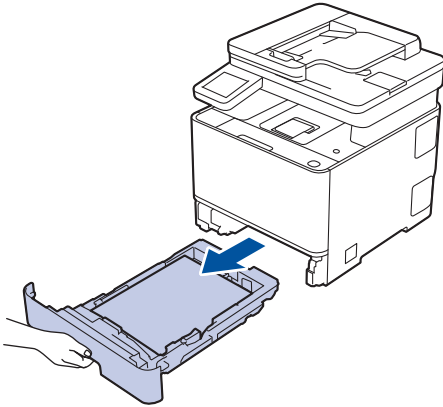
## Clean the Paper Pick-up Rollers

Cleaning the paper pick-up rollers periodically may prevent paper jams by ensuring that paper feeds correctly.

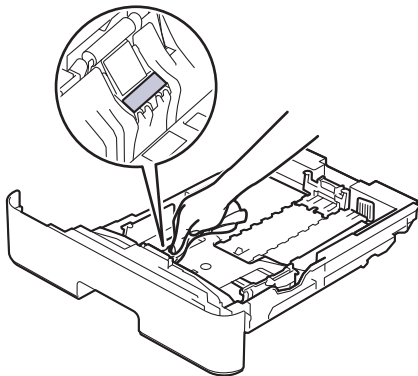
Before starting the cleaning procedure, see *Related Information: Clean the Machine*.

If you have paper feed problems, clean the pick-up rollers as follows:

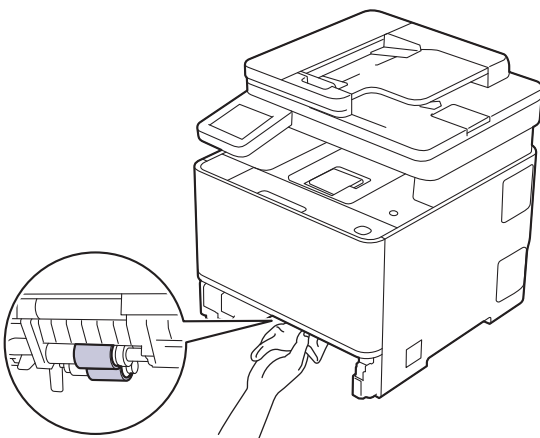
1. Press and hold  to turn off the machine.
2. Pull the paper tray completely out of the machine.




3. If paper is loaded or something is stuck inside in the paper tray, remove it.
4. Tightly wring out a lint-free cloth soaked in lukewarm water, and then wipe the separator pad on the paper tray to remove dust.



5. Wipe the two pick-up rollers inside the machine to remove dust.



6. Reload the paper and put the paper tray firmly back in the machine.
7. Press  to turn on the machine.



## Related Information


- [Clean the Machine](#)
-

## Correct Color Printing

If the color print quality is poor, calibrate the output density of each color, and then perform the color alignment.



To perform the calibrations of each color's output density and color alignment in sequence, set the Auto Correction function to On.

1. Press  [Settings] > [All Settings] > [Printer] > [Color Correction] > [Correction Start].



If your machine displays the [All Settings] menu on the Home screen, skip the [Settings] menu.

2. Press [Yes].



The Color correction starts automatically, and will take a few minutes.

3. Press .




### Related Information

- [Routine Maintenance](#)
  - [Set the Auto Correction Function](#)
  - [Reset the Machine's Color Correction Settings](#)

## Set the Auto Correction Function

If you want your machine to automatically perform color alignment after calibrating colors, turn on the Auto Correction function.

1. Press  [Settings] > [All Settings] > [Printer] > [Color Correction] > [Auto Correction] > [On].



If your machine displays the [All Settings] menu on the Home screen, skip the [Settings] menu.

2. Press .




### Related Information

- [Correct Color Printing](#)



## Reset the Machine's Color Correction Settings

If the output color differs from what you see on your screen, try resetting your machine's color correction settings.

1. Press  [Settings] > [All Settings] > [Printer] > [Color Correction] > [Reset].



If your machine displays the [All Settings] menu on the Home screen, skip the [Settings] menu.


2. Press [Yes].
3. Press .



### Related Information

- [Correct Color Printing](#)


## Check the Remaining Part Life

1. Press  [Settings] > [All Settings] > [Machine Info.] > [Parts Life].




If your machine displays the [All Settings] menu on the Home screen, skip the [Settings] menu.

2. Press the machine part you want to check.  
The LCD displays the approximate remaining part life.

3. Press .



To display the approximate remaining life of the toner cartridge, press  [Toner] > [Toner Life].



### Related Information

- [Routine Maintenance](#)

## Monitor Machine Status Using Brother iPrint&Scan (Windows/Mac)

Brother iPrint&Scan allows you to monitor your Brother machine's status.

1. Start Brother iPrint&Scan.

- Windows

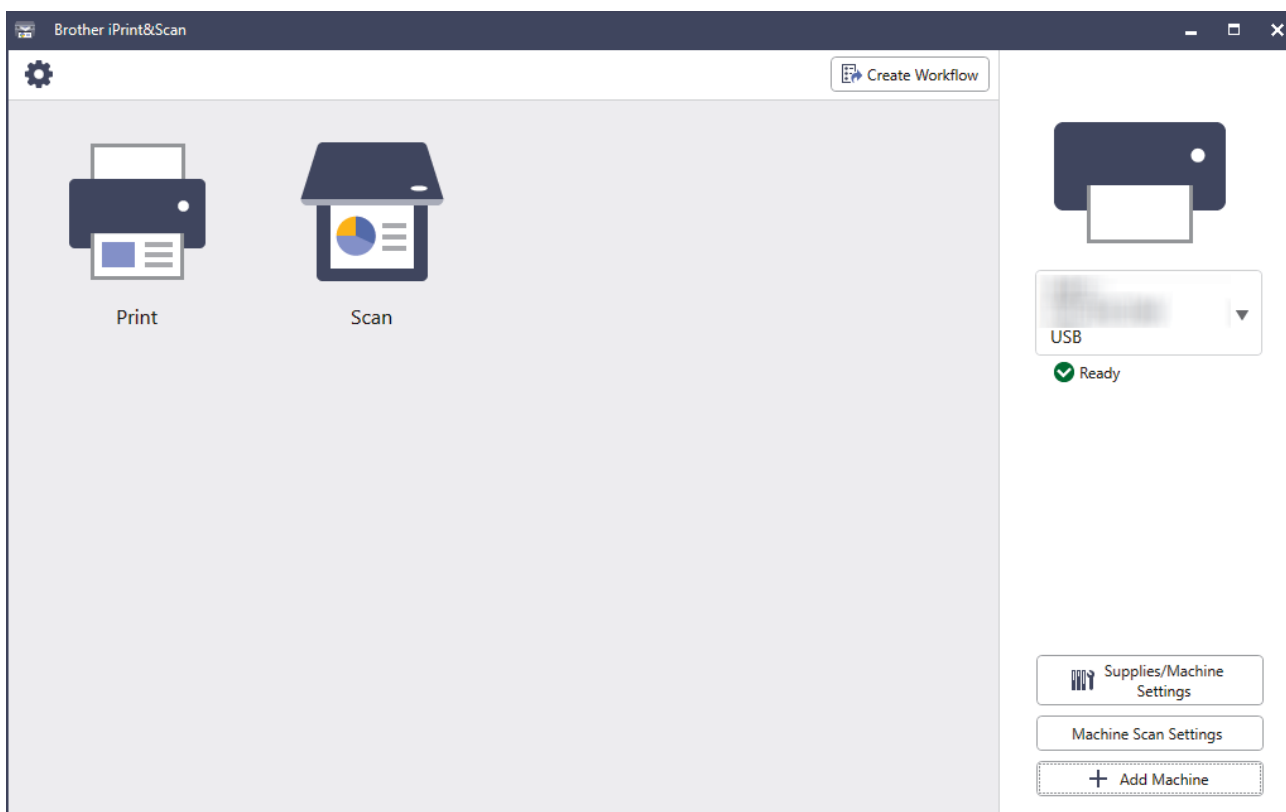
Double-click the  (Brother iPrint&Scan) icon.

- Mac




In the **Finder** menu bar, click **Go > Applications**, and then double-click the iPrint&Scan icon.


The Brother iPrint&Scan screen appears.

2. If your Brother machine is not selected, click the **Add Machine / Select your Machine** button, and then select your model's name from the list. Click **OK**.





### Status icons

Icon	Description
	A green icon indicates the normal stand-by condition.
	A yellow icon indicates a warning.
	A red icon indicates an error has occurred.

Icon	Description
	A gray icon indicates the machine is offline.

#### Error icons

Icon	Description
	The toner level is low.
	The toner cartridge needs to be replaced.



- The actual screen may differ depending on the version of the application.
- The remaining toner amount is approximate and may differ from the actual amount of remaining toner.
- You can also check the remaining toner amount using Web Based Management.




#### Related Information

- [Routine Maintenance](#)

## Check the Machine Information

Follow these instructions to check your machine's serial number and firmware version.


1. Press  [Settings] > [All Settings] > [Machine Info.].



If your machine displays the [All Settings] menu on the Home screen, skip the [Settings] menu.

2. Press one of the following options:

Option	Description
Serial No.	Check your machine's serial number.
Firmware Version	Check your machine's firmware version.
Firmware Update	Update your machine to the latest firmware.
Firmware Update Setup	Set the days and times for automatic firmware updates.
Page Counter	Check the total number of pages the machine has printed.
Parts Life	Check the percentage of the supplies' life that remains available.

3. Press .



### Related Information


- [Routine Maintenance](#)

## Update Your Machine's Firmware

- An Internet connection is required to update the firmware.
- Do not unplug the power cord during the firmware update.

To keep your machine up to date, check [support.brother.com/downloads](http://support.brother.com/downloads) periodically for the latest firmware. Without the most current firmware, some of your machine's functions may become unavailable.

You can also manually update the firmware directly from your machine or set it to update periodically, by following these steps:

1. Press  [Settings] > [All Settings] > [Machine Info.].



If your machine displays the [All Settings] menu on the Home screen, skip the [Settings] menu.

2. Do one of the following:

Option	Description
Update the firmware manually.	Press <b>Firmware Update</b> .
Set your machine to automatically update the firmware. (available for certain models)	Press <b>Firmware Update Setup</b> > <b>Update Method</b> > <b>Auto Install</b> , then select the days of the week and enter the time slot for the firmware update.

3. Press .



### Related Information

- [Routine Maintenance](#)

#### Related Topics:

- [Check Your Machine's Password](#)

## Reset Your Machine

- [Reset Functions Overview](#)
- [Reset Your Machine](#)

## Reset Functions Overview

The following reset functions are available:



---

Unplug the interface cable before you choose Network Settings Reset function, All Settings Reset function or Factory Reset function.

---

### 1. Machine Reset

Reset all the machine's settings that you have changed, such as Date and Time and Ring Delay.

The following will remain:

- The Address Book, fax data, and Call history (For models with facsimile function)
- The administrator password
- Network settings

### 2. Network Settings Reset (For Network Models)

Reset the print server to its default factory settings (including all IP Address information except the administrator password).



---

You can reset the administrator password using the All Settings Reset option.

---

### 3. Address Book and Fax Settings Reset

This function resets the following settings:



---

The following settings, with the exception of the Address Book and the Setting Lock password, apply to models with facsimile function.

---

- Address Book  
(Addresses and Groups)
- Programmed fax jobs in the memory  
(Delayed Fax)
- Station ID  
(name and number)
- Coverpage Message
- Fax receive settings  
(Remote Access Code, Fax Storage, Fax Forwarding, and PC-Fax Receive (Windows only))
- Report  
(Transmission Verification Report / Address Book / Fax Journal)
- Setting Lock password (available models only)

### 4. All Settings Reset

Reset all the machine's settings back to the settings that were set at the factory.

All Settings Reset takes less time than Factory Reset.

### 5. Factory Reset

Use the All Setting Reset function to reset all of the machine's settings to the settings originally set at the factory.

Factory Reset takes more time than All Settings Reset.

We strongly recommend you perform this operation when you dispose of the machine.




## Related Information

- [Reset Your Machine](#)



## Reset Your Machine

1. Press  [Settings] > [All Settings] > [Initial Setup] > [Reset].



If your machine displays the [All Settings] menu on the Home screen, skip the [Settings] menu.


2. Press the reset function you want to use.



- For more information about resetting your machine's password, see *Related Information: Reset Functions Overview*.
- The network settings, the security settings and address book data will not be reset by the [Machine Reset].
- If you discard or dispose the machine, we recommend performing a [Factory Reset] to erase the personal data in the machine.

3. [Machine will reboot after resetting. Press [OK] for 2 seconds to confirm.] appears. Press [OK] for two seconds to confirm.



You can also reset the network settings by pressing  [Settings] > [All Settings] > [Network] > [Network Reset].

The machine will restart.



### Related Information

- [Reset Your Machine](#)

#### Related Topics:

- [Reset the Network Settings to the Factory Settings](#)
- [Reset Functions Overview](#)

## Pack and Ship Your Machine

### WARNING


- To prevent possible injuries, at least two people should lift the product by holding it at the front and back.
- When you move the machine, carry the machine as shown in the illustration.

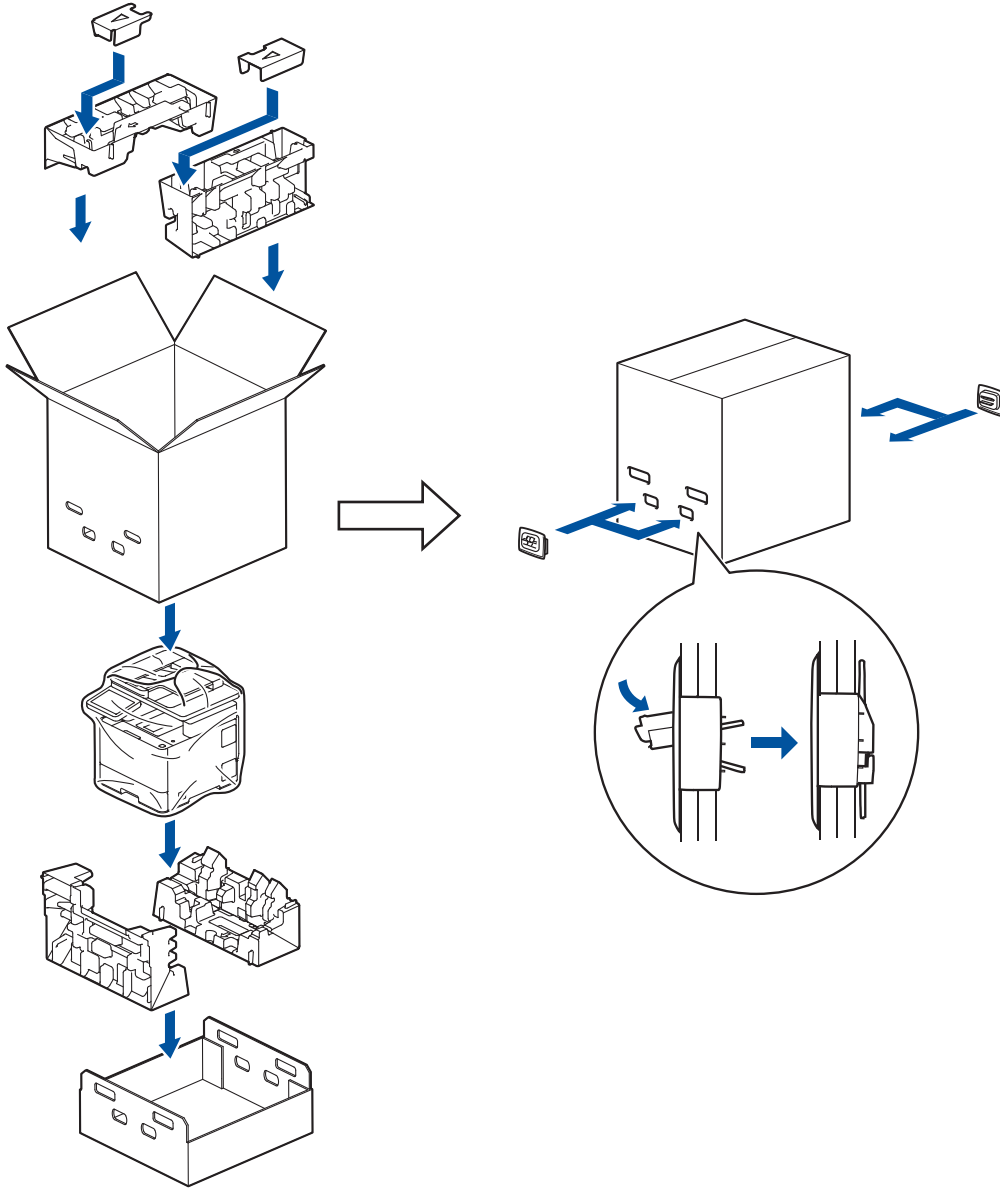


- If the machine has Optional Tray(s) installed, remove the Optional Tray(s) BEFORE moving the machine. Attempting to move the machine without removing the Optional Tray(s) may cause injury to you or damage to the machine.
- Pack the Optional Tray(s) separately in the original carton with original packing material.

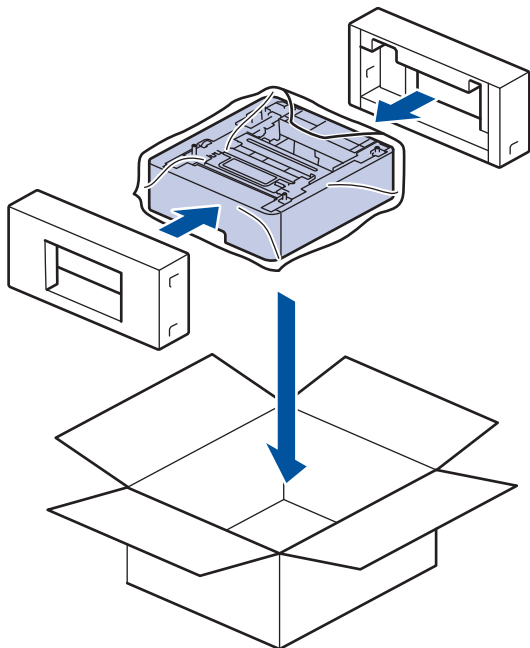


- If for any reason you must ship your machine, carefully repack the machine in the original packaging to avoid any damage during transit. The machine should be adequately insured with the carrier.
- Unless you are returning the machine as part of the Brother Exchange Service, leave the toner cartridges and the drum unit inside the machine when you pack and ship it.
- The components included in the box may differ depending on your country.

1. Press and hold  to turn off the machine. Leave the machine off for at least 10 minutes to cool down.
2. Disconnect all the cables, and then unplug the power cord from the AC power outlet.
3. Put the machine into the bag it originally came in.
4. Pack the machine in the original carton with the original packing material as shown below. (The original packing material may differ depending on your country.) If you are returning your machine to Brother as part of the Exchange Service, pack only the machine.



5. Close the carton and tape it shut.
6. If you have a Lower Tray, repack it as shown.





## Related Information

- [Routine Maintenance](#)
-

## Machine Settings

Customize settings and features to make your machine a more efficient work tool.

- [Check Your Machine's Password](#)
- [Change Machine Settings from the Control Panel](#)
- [Change Machine Settings Using Web Based Management](#)

## Check Your Machine's Password

If prompted to enter a password, check the following information:

>> [Find the Default Password](#)

>> [Change the Password](#)

>> [Reset the Password](#)

### Find the Default Password

The default password to manage this machine's settings is located on the back of the machine and marked "Pwd".

### Change the Password

We recommend immediately changing the default password to protect your machine from unauthorized access.

Use Web Based Management to change the password.

For more information, see *Related Information*.

### Reset the Password

If you forget your password, reset your machine to its factory default settings. The password will also be reset to the default password.

For more information, see *Related Information*.



### Related Information

- [Machine Settings](#)

#### Related Topics:

- [Reset Your Machine](#)
- [Change the Login Password Using Web Based Management](#)

## Change Machine Settings from the Control Panel

- [In the Event of Power Failure \(Memory Storage\)](#)
- [General Settings](#)
- [Save Your Favorite Settings as a Shortcut](#)
- [Print Reports](#)
- [Settings and Features Tables](#)

## In the Event of Power Failure (Memory Storage)

Your menu settings are stored permanently, and in the event of a power failure will not be lost. Temporary settings (for example, Contrast, Overseas Mode) are lost.

During a power failure, the machine will retain the date and time and programmed fax timer jobs (for example, Delayed Fax) for approximately 60 hours. Other fax jobs in the machine's memory will not be lost.



### Related Information

- [Change Machine Settings from the Control Panel](#)
-




## General Settings

- [Adjust the Machine's Volume](#)
- [Set Sleep Mode Countdown](#)
- [About Deep Sleep Mode](#)
- [Set Auto Power Off Mode](#)
- [Set the Date and Time](#)
- [Reduce Toner Consumption](#)
- [Reduce Printing Noise](#)
- [Lock the Machine Settings](#)
- [Change the Language on the LCD](#)


## Adjust the Machine's Volume

1. Do one of the following:

- For MFC models:

Press  [Settings] > [All Settings] > [General Setup] > [Volume].

- For DCP models:

Press  [Settings] > [All Settings] > [General Setup] > [Beep].



If your machine displays the [All Settings] menu on the Home screen, skip the [Settings] menu.

2. Press one of the following options (MFC models):

(The options will vary depending on your machine.)

- [Ring]

Adjust the ring volume.


- [Beep]

Adjust the volume of the beep you hear when you press a button, make a mistake, or after you send or receive a fax.

- [Speaker]

Adjust the speaker volume.

3. Select the [Off], [Low], [Med] or [High] option, and then press the option you want.

4. Press .




### Related Information

- [General Settings](#)

## Set Sleep Mode Countdown

The Sleep Mode (or Power Save Mode) setting can reduce power consumption. When the machine is in Sleep Mode, it acts as though it is turned off. The machine will wake up and start printing when it receives a print job or a fax. Use these instructions to set a time delay (countdown) before the machine enters Sleep Mode.

- You can choose how long the machine must be idle before it goes into Sleep Mode.
- The timer will restart if any operation is carried out on the machine, such as receiving a print job.

1. Press  [Settings] > [All Settings] > [General Setup] > [Ecology] > [Sleep Time].



If your machine displays the [All Settings] menu on the Home screen, skip the [Settings] menu.

2. Enter the length of time (maximum 50 minutes) the machine will remain idle before entering Sleep Mode, and then press [OK].

3. Press .



### Related Information

- [General Settings](#)



## About Deep Sleep Mode

If the machine is in Sleep Mode and does not receive any jobs for a certain length of time, the machine will automatically enter Deep Sleep Mode. The length of time is based on your specific model and settings.

Deep Sleep Mode uses less power than Sleep Mode.



The Deep Sleep Mode setting cannot be disabled due to environmental considerations.

Applicable Models	Machine's Control Panel in Deep Sleep Mode	Conditions That Will Wake the Machine
DCP-L8630CDW/ MFC-L8730CDW/ MFC-L8930CDW/ MFC-L8970CDW/MFC-EX575	The LCD backlight turns off and the Power LED brightens and dims.	<ul style="list-style-type: none"><li>The machine receives a job.</li><li>Someone presses , , or the touchscreen LCD.</li></ul>





### Related Information

- [General Settings](#)

## Set Auto Power Off Mode


If the machine does not receive any jobs for a certain length of time, based on your model and settings, the machine will automatically enter Power Off mode. The machine will not go into Power Off mode if it is connected to a network, a USB cable, NFC, Wi-Fi Direct, or a telephone line, or if there is any secure print data stored in its memory. The available features and interfaces vary depending on the model.

To start printing, press  on the control panel and then send a print job.

1. Press  [Settings] > [All Settings] > [General Setup] > [Ecology] > [Auto Power Off].



If your machine displays the [All Settings] menu on the Home screen, skip the [Settings] menu.


2. Press the [Off], [20 Mins], [1 hour], [2 hours], [4 hours] or [8 hours] option you want.
3. Press .



### Related Information



- [General Settings](#)

## Set the Date and Time

1. Press  [Settings] > [All Settings] > [Initial Setup] > [Date & Time] > [Date].



If your machine displays the [All Settings] menu on the Home screen, skip the [Settings] menu.

2. Enter the last two digits of the year using the LCD, and then press [OK].
3. Enter the two digits for the month using the LCD, and then press [OK].
4. Enter the two digits for the day using the LCD, and then press [OK].
5. Press [Clock Type].
6. Press [12h Clock] or [24h Clock].
7. Press [Time].
8. To enter the time, do one of the following:
  - If you selected [12h Clock] as the format in the [Clock Type] setting, enter the time (in 12-hour format) using the LCD.  
Press  to select [AM] or [PM].  
Press [OK].
  - If you selected [24h Clock] as the format in the [Clock Type] setting, enter the time (in 24-hour format) using the LCD.  
Press [OK].  
(For example: enter 19:45 for 7:45 PM.)
9. Press .




### Related Information

- [General Settings](#)

## Reduce Toner Consumption


Using the Toner Save feature may reduce toner consumption. When Toner Save is set to on, the print on your documents appears lighter.

We DO NOT recommend using the Toner Save feature for printing photo or grayscale images.

1. Press  [Settings] > [All Settings] > [General Setup] > [Ecology] > [Toner Save].



If your machine displays the [All Settings] menu on the Home screen, skip the [Settings] menu.

2. Press [On] or [Off].
3. Press .



### Related Information

- [General Settings](#)


## Reduce Printing Noise

The Quiet Mode setting can reduce printing noise. When Quiet Mode is turned on, the print speed becomes slower. The factory setting is off.

1. Press  [Settings] > [All Settings] > [General Setup] > [Ecology] > [Quiet Mode].



If your machine displays the [All Settings] menu on the Home screen, skip the [Settings] menu.

2. Press [On] or [Off].
3. Press .



### Related Information

- [General Settings](#)



## Lock the Machine Settings

Use the Setting Lock feature to block unauthorized access to machine settings. When Setting Lock is set to On, you cannot access the machine settings without entering the password.

Before turning on the machine's Setting Lock, write down and save your password. If you forget the password, you must reset all passwords stored in the machine by contacting your administrator or Brother Customer Service.



- [Set the Setting Lock Password](#)
- [Change the Setting Lock Password](#)
- [Turn On Setting Lock](#)
- [Restrict Specific Machine Settings](#)

## Set the Setting Lock Password


>> [DCP-L8630CDW/MFC-L8730CDW](#)

>> [MFC-L8930CDW/MFC-L8970CDW/MFC-EX575](#)

### DCP-L8630CDW/MFC-L8730CDW


1. Press  [Settings] > [All Settings] > [General Setup] > [Setting Lock].
2. Enter a four-digit number for the password.
3. Press [OK].
4. When the LCD displays [Verify:], re-enter the password.
5. Press [OK].
6. Press .

### MFC-L8930CDW/MFC-L8970CDW/MFC-EX575

1. Press  [Admin Settings].
2. Type the default password, and then press [OK].
3. Press [Password].
4. Type the default password again, and then press [OK].
5. Type the password you want to use (8 to 32 characters), and then press [OK].



This password is also valid for other [Admin Settings] features and Web Based Management login.

6. When the LCD displays [Verify], retype the password, and then press [OK].
7. Press .

### ✓ Related Information



- [Lock the Machine Settings](#)

## Change the Setting Lock Password



>> [DCP-L8630CDW/MFC-L8730CDW](#)

>> [MFC-L8930CDW/MFC-L8970CDW/MFC-EX575](#)

### DCP-L8630CDW/MFC-L8730CDW

1. Press  [Settings] > [All Settings] > [General Setup] > [Setting Lock] > [Set Password].
2. Enter the current four-digit password.
3. Press [OK].
4. Enter a new four-digit password.
5. Press [OK].
6. When the LCD displays [Verify:], re-enter the password.
7. Press [OK].
8. Press .

### MFC-L8930CDW/MFC-L8970CDW/MFC-EX575

1. Press  [Admin Settings].
2. Type the current password, and then press [OK].
3. Press [Password].
4. Type the current password again, and then press [OK].
5. Type a new password you want to use (8 to 32 characters), and then press [OK].
6. When the LCD displays [Verify], retype the password, and then press [OK].
7. Press .



### Related Information


- [Lock the Machine Settings](#)

## Turn On Setting Lock


>> DCP-L8630CDW/MFC-L8730CDW


>> MFC-L8930CDW/MFC-L8970CDW/MFC-EX575

### DCP-L8630CDW/MFC-L8730CDW


1. Press  [Settings] > [All Settings] > [General Setup] > [Setting Lock] > [Lock Off⇒On].
2. Enter the current four-digit password.
3. Press [OK].



To turn off Setting Lock, press  on the LCD, enter the current four-digit password, and then press [OK].


After configuring the settings, press  [Settings] > [All Settings] > [General Setup] > [Setting Lock] > [Lock On⇒Off], and then repeat steps 2 and 3.

### MFC-L8930CDW/MFC-L8970CDW/MFC-EX575

1. Press  [Admin Settings].
2. Type the current password, and then press [OK].
3. Press [Restriction Management] > [Setting Lock] > [On].
4. When the machine prompts you to select the Setting Lock details, make your selection, and then press [OK].



To turn off Setting Lock, repeat steps 1 and 2, and then press [Restriction Management] > [Setting Lock] > [Off].


5. Press .

### ✓ Related Information

- [Lock the Machine Settings](#)


## Restrict Specific Machine Settings

**Related Models:** MFC-L8930CDW/MFC-L8970CDW/MFC-EX575

1. Press  [Admin Settings].
2. Enter the current Administrator password, and then press [OK].
3. Press [Restriction Management] > [Setting Lock Details].
4. When the machine prompts you to select the Setting Lock details, make your selection, and then press [OK].



To turn off Setting Lock, repeat steps 1 and 2, and then press [Restriction Management] > [Setting Lock] > [Off].

5. Press .




### Related Information

- [Lock the Machine Settings](#)

## Change the Language on the LCD


Change the LCD language if needed.

This feature is not available in some countries.

1. Press  [Settings] > [All Settings] > [Initial Setup] > [Local Language].



If your machine displays the [All Settings] menu on the Home screen, skip the [Settings] menu.

2. Press your language.
3. Press .



### Related Information

- [General Settings](#)

## Save Your Favorite Settings as a Shortcut

- [Add Shortcuts](#)
- [Change or Delete Shortcuts](#)
- [Assign a Shortcut to an IC Card with NFC](#)

## Add Shortcuts

You can add the Fax, Copy, Scan, Web Connect and Apps settings you use most frequently by saving them as your Shortcuts. Later you can press the Shortcut to apply these settings instead of manually re-entering them.



Some Shortcut menus are not available depending on your model.

These instructions describe how to add a Copy Shortcut. The steps for adding a Fax, Scan, Web Connect, or Apps Shortcut are very similar.

>> [DCP-L8630CDW/MFC-L8730CDW](#)

>> [MFC-L8930CDW/MFC-L8970CDW/MFC-EX575](#)

### DCP-L8630CDW/MFC-L8730CDW

1. Press [Shortcuts]. (If [Shortcuts] is displayed.)
2. Press a tab.
3. Press any to add a new Shortcut.
4. Press [Copy].
5. Press the copy preset you want.
6. Press [Options].
7. Swipe up or down or press or to display the available settings, and then press the setting you want to change.
8. Swipe up or down or press or to display the available options for the setting, and then press the option you want.  
Repeat these two steps until you have selected all the settings and options you want.
9. When you have finished changing settings, press [OK]. (If the [OK] button is displayed.)
10. Press [OK].
11. Read and confirm the displayed list of settings you have selected, and then press [OK].
12. Enter a name for the Shortcut using the LCD, and then press [OK].

### MFC-L8930CDW/MFC-L8970CDW/MFC-EX575

1. Press [Shortcuts]. (If [Shortcuts] is displayed.)
2. Press [Copy].
3. Press > to access the preset copy settings.
4. Swipe up or down or press or to display the copy presets, and then press the copy preset you want.
5. Press [Options].
6. Swipe up or down or press or to display the available settings, and then press the setting you want to change.
7. Swipe up or down or press or to display the available options for the setting, and then press the option you want.  
Repeat these two steps until you have selected all the settings and options you want.
8. Press [Save as Shortcut].
9. Read and confirm the displayed list of settings you have selected, and then press [OK].
10. Enter a name for the Shortcut using the LCD, and then press [OK].





## Related Information

- [Save Your Favorite Settings as a Shortcut](#)

## Change or Delete Shortcuts



You cannot change a Web Connect Shortcut or Apps Shortcut. If you need to change them, delete them, and then add a new Shortcut.

1. Press **+** [Shortcuts]. (If **+** [Shortcuts] is displayed.)
2. Press a tab to display the Shortcut you want to change.




Swipe to display the tab if needed.

3. Press the Shortcut you want to change.  
The settings for the Shortcut you selected appear.



To delete the Shortcut or edit the name, press and hold the Shortcut until the options appear, and then follow the on-screen menus.

4. Press  [Options].
5. Change the settings for the Shortcut if needed.
6. Press [OK] (if needed).
7. When finished, press [Save as Shortcut].
8. Read and confirm the displayed list of settings you have selected, and then press [OK].
9. Do one of the following:
  - To overwrite the Shortcut, press [Yes].
  - If you do not want to overwrite the Shortcut, press [No] to enter a new Shortcut name.

Press any **+** to add a new Shortcut.

Enter a new name using the LCD, and then press [OK].



To edit the name, hold down  to delete the current name.



### Related Information

- [Save Your Favorite Settings as a Shortcut](#)

## Assign a Shortcut to an IC Card with NFC

**Related Models:** MFC-L8730CDW/MFC-L8930CDW/MFC-L8970CDW/MFC-EX575

You can assign one Shortcut to your IC card. When you touch your IC card to the machine's NFC symbol, your personal Shortcut automatically appears on the touchscreen.



- You cannot use the same IC card for different Shortcuts.
- To use the IC card for another Shortcut, unregister the card first, and then register it with the new Shortcut.

>> [MFC-L8730CDW](#)

>> [MFC-L8930CDW/MFC-L8970CDW/MFC-EX575](#)

### MFC-L8730CDW

1. If the Home screen appears, press **+** [Shortcuts].
2. Press the tab that contains the Shortcut you want to assign to your IC card.
3. Press and hold the Shortcut until the options appear.
4. Press **▲** or **▼** to display the [Register Card/NFC] option, and then press it.
5. Touch the IC card to the NFC symbol.
6. Press [Register].

The Shortcut is assigned to the IC Card.

### MFC-L8930CDW/MFC-L8970CDW/MFC-EX575

1. Press the tab that contains the Shortcut you want to assign to your IC card.
2. Press and hold the Shortcut until the options appear.
3. Press [Register Card/NFC].
4. Touch the IC card to the NFC symbol.
5. Press [Register].

The Shortcut is assigned to the IC Card.



### Related Information

- [Save Your Favorite Settings as a Shortcut](#)

## Print Reports

- [Reports](#)
- [Print a Report](#)

## Reports

The following reports are available:

### **Transmission (For models with facsimile function)**

The Transmission report prints a Transmission Verification Report of your last transmission.

### **Address Book**

The Address Book report prints a list of names and numbers stored in the Address Book memory.

### **Fax Journal (For models with facsimile function)**

The Fax Journal prints a list of information about your last 200 incoming and outgoing faxes. (TX means Transmit, RX means Receive.)

### **User Settings**

The User Settings report prints a list of your current settings.

### **Printer Settings**

The Printer Settings report prints a list of your current printer settings.

### **Network Configuration (Models with network functionality)**

The Network Configuration report prints a list of your current network settings.

### **Print File List (available for certain models)**

The Print File List prints a list of the fonts and print macro/stream setting stored in the machine.

### **Drum Dot Print**

The Drum Dot Print prints the drum dot sheet, which helps when it is time to clean the drum unit.

### **WLAN Report (Models with wireless network functionality)**


The WLAN Report prints the wireless LAN connectivity diagnosis.



## Related Information


- [Print Reports](#)

## Print a Report

1. Press  [Settings] > [All Settings] > [Print Reports].



If your machine displays the [All Settings] menu on the Home screen, skip the [Settings] menu.

2. Swipe up or down or press ▲ or ▼ to display the report you want to print, and then press it.
3. Do one of the following:
  - If you choose [Transmission], do one of the following:
    - To view the Transmission Verification Report, press [View on LCD].
    - To print the Transmission Verification Report, press [Print Report].
  - If you choose other reports, go to the next step.
4. Press [Yes].
5. Press .



### Related Information

- [Print Reports](#)

## Settings and Features Tables

The Settings tables will help you understand the menu selections and options that are found in the machine's programs.

- [Settings Tables \(MFC-L8730CDW\)](#)
- [Settings Tables \(DCP-L8630CDW\)](#)
- [Settings Tables \(MFC-L8930CDW/MFC-L8970CDW/MFC-EX575\)](#)
- [Feature Tables \(MFC-L8730CDW\)](#)
- [Feature Tables \(DCP-L8630CDW\)](#)
- [Feature Tables \(MFC-L8930CDW/MFC-L8970CDW/MFC-EX575\)](#)

## Settings Tables (MFC-L8730CDW)

Related Models: MFC-L8730CDW

```
>> [Settings]
>> [General Setup]
>> [Shortcut Settings]
>> [Fax]
>> [Printer]
>> [Network]
>> [Print Reports]
>> [Machine Info.]
>> [Initial Setup]
```

### [Settings]



### [Settings]

Level 1	Level 2	Level 3	Descriptions
(Date & Time)	-	-	Access the Date and Time setting menus.
Toner	Toner Life	-	View the approximate remaining toner life for each color.
	Test Print	-	Print a test page.
	Color Correction	Correction Start	Initiate color calibration to check and correct colors.
		Reset	Reset the calibration parameters to the default settings.
Toner Cartridge Check	Black Cyan Magenta Yellow	View the installed toner cartridge information on the LCD, for example, if the toner cartridge is genuine.	
Network	Wired LAN	-	Access the Wired LAN setting menus.
	WLAN (Wi-Fi)	-	Access the WLAN setting menus.
Tray Setting	-	-	Access the tray setting menus.
Fax Preview	-	-	View received faxes on the LCD.
Eco Mode	-	-	Turn on the following machine settings: <ul style="list-style-type: none"> <li>2-sided Print: Long Edge <sup>1</sup></li> <li>Sleep Time: 0Min</li> <li>Dim Timer: 10Secs</li> <li>Quiet Mode: On <sup>1</sup></li> <li>Toner Save: On <sup>1</sup></li> </ul>
All Settings	-	-	Configure the detailed settings.

<sup>1</sup> Changing this setting is possible only after you change certain machine settings in Web Based Management.



[General Setup]

[All Settings] > [General Setup]

Level 3	Level 4	Level 5	Level 6	Descriptions
Tray Setting	Paper Type	MP Tray	-	Select the paper type that matches the paper in the MP tray.
		Tray 1	-	Select the paper type that matches the paper in the standard paper tray.
		Tray 2 <sup>1</sup>	-	Select the paper type that matches the paper in the Optional Tray (Tray 2).
		Tray 3 <sup>1</sup>	-	Select the paper type that matches the paper in the Optional Tray (Tray 3).
	Paper Size	MP Tray	-	Select the paper size you loaded in the MP tray.
		Tray 1	-	Select the paper size you loaded in the standard paper tray.
		Tray 2 <sup>1</sup>	-	Select the paper size you loaded in the Optional Tray (Tray 2).
		Tray 3 <sup>1</sup>	-	Select the paper size you loaded in the Optional Tray (Tray 3).
	Copy	-	-	Select the tray you want to use for making a Copy.
	Fax	-	-	Select the tray you want to use for printing a Fax.
	Print	-	-	Select the tray you want to use to Print.
	Print Position	MP Tray	X Offset	Adjust the print start position (usually at the upper left corner of a page) for the paper you loaded in the MP tray horizontally from -500 (left) to +500 (right) dots when printing at 300 dpi.
			Y Offset	Adjust the print start position (usually at the upper left corner of a page) for the paper you loaded in the MP tray vertically from -500 (up) to +500 (down) dots when printing at 300 dpi.
		Tray 1	X Offset	Adjust the print start position (usually at the upper left corner of a page) for the paper you loaded in the standard paper tray horizontally from -500 (left) to +500 (right) dots when printing at 300 dpi.
			Y Offset	Adjust the print start position (usually at the upper left corner of a page) for the paper you loaded in the standard paper tray vertically from -500 (up) to +500 (down) dots when printing at 300 dpi.
		Tray 2 <sup>1</sup>	X Offset	Adjust the print start position (usually at the upper left corner of a page) for the paper you loaded in the Optional tray (Tray 2) horizontally from -500 (left) to +500 (right) dots when printing at 300 dpi.
			Y Offset	Adjust the print start position (usually at the upper left corner of a page) for the paper you loaded in the Optional tray (Tray 2) vertically from -500 (up) to +500 (down) dots when printing at 300 dpi.
		Tray 3 <sup>1</sup>	X Offset	Adjust the print start position (usually at the upper left corner of a page) for the paper you loaded in the Optional tray (Tray 3) horizontally from -500 (left) to +500 (right) dots when printing at 300 dpi.
Y Offset			Adjust the print start position (usually at the upper left corner of a page) for the paper you loaded in	

Level 3	Level 4	Level 5	Level 6	Descriptions	
Tray Setting	Print Position	Tray 3 <sup>1</sup>		the Optional tray (Tray 3) vertically from -500 (up) to +500 (down) dots when printing at 300 dpi.	
	Skip Tray <sup>1</sup>	-	-	Select a specific tray to skip if you know it is loaded with the wrong size paper.	
	Separator Tray <sup>1</sup>	-	-	Select the tray that contains the paper used as the separator paper, which is inserted between each print job.	
	Paper Low Notice	Paper Low Notice	-	-	Select whether or not to display a message indicating the paper tray is nearly empty.
		Notice Level	-	-	Select the minimum paper level that will trigger the message.
	Check Paper	-	-	Select whether or not to display a message indicating you must check the paper type and paper size.	
Volume	Ring	-	-	Adjust the ring volume.	
	Beep	-	-	Adjust the beeper volume.	
	Speaker	-	-	Adjust the speaker volume.	
LCD Settings	Backlight	-	-	Adjust the brightness of the LCD backlight.	
	Dim Timer	-	-	Set how long the LCD backlight stays on after you go back to your Main Home screen and other functions.	
	Backlight Timer	-	-	Set how long the LCD backlight turns off after you go back to your Main Home screen and other functions.	
Screen Settings	Home Screen	-	-	Set the Main Home screen.	
	Scan Screen	-	-	Set the default Scan screen.	
	Display Information	IP Address	-	Select whether or not to display your machine's IP Address on the Home screens.	
Notice Settings	Scan Result (Skip Blank Page)	-	-	Displays the total scanned pages and skipped pages after scanning is completed.	
Ecology	Eco Mode	-	-	Turn on the following machine settings: <ul style="list-style-type: none"> <li>• 2-sided Print: Long Edge<sup>2</sup></li> <li>• Sleep Time: 0Min</li> <li>• Dim Timer: 10Secs</li> <li>• Quiet Mode: On<sup>2</sup></li> <li>• Toner Save: On<sup>2</sup></li> </ul>	
	Toner Save	-	-	Increase the page yield of the toner cartridge.	
	Sleep Time	-	-	Set how much time should pass before the machine enters Power Saving mode.	
	Quiet Mode	-	-	Decrease printing noise.	
	Auto Power Off	-	-	Set the number of minutes or hours before the machine enters Power Off mode.	
Setting Lock	-	-	-	Restrict unauthorized users from changing the machine's settings.	
Delete Storage	Macro ID	-	-	Delete the registered Macro data.	
	Stream ID	-	-	Delete the registered Stream data.	
	Font ID	-	-	Delete the registered Font data.	

Level 3	Level 4	Level 5	Level 6	Descriptions
Delete Storage	Delete All	-	-	Restore your machine's Macro/Stream and Font data to the factory settings.

<sup>1</sup> Available if the Optional Tray(s) is installed.

<sup>2</sup> Changing this setting is possible only after you change certain machine settings in Web Based Management.

## [Shortcut Settings]

[All Settings] > [Shortcut Settings]

Level 3	Level 4	Descriptions
(Select a Shortcut)	Rename	Change the shortcut name.
	Edit	Change the shortcut settings.
	Delete	Delete the shortcut.
	Register Card/NFC	Assign a shortcut to an IC card.
	Delete Card/NFC	Remove a shortcut from an IC card.

## [Fax]

[All Settings] > [Fax]

Level 3	Level 4	Level 5	Descriptions	
Setup Receive	Ring Delay	-	Set the number of rings before the machine answers in Fax or Fax/Tel mode.	
	Receive Mode	-	Select the Receive Mode that best suits your needs.	
	F/T Ring Time	-	Set the length of the pseudo/double-ring time in Fax/Tel mode.	
	Fax Preview	-	View received faxes on the LCD.	
	Easy Receive	-	Receive fax messages automatically when you answer a call and hear fax tones.	
	Remote Codes	Remote Codes	-	Answer calls at an extension or external telephone and use codes to turn on or off the Remote Codes. You can personalize the codes.
		Fax Receive Code		
		Tel Answer		
	Auto Reduction	-	Reduce each page of an incoming fax to fit on your paper.	
	PC Fax Receive	-	Set the machine to send faxes to your computer. You can turn on the Backup Print safety feature.	
	Memory Receive	Off	-	-
Fax Forward		-	Set the machine to forward fax messages or to store incoming faxes in the memory (so you can retrieve them while you are away from your machine). If you select Fax Forward or Fax Storage, you can turn on the Backup Print safety feature.	
Fax Storage				
Forward to Cloud		-	Forward incoming faxes to the online service.	
Forward to Network	-	Forward incoming faxes to a network destination.		

Level 3	Level 4	Level 5	Descriptions
Setup Receive	Fax Rx Stamp	-	Print the received time and date on the top of incoming faxes.
	2-sided	-	Print incoming faxes on both sides of the paper.
Setup Send	Batch TX	-	Combine delayed faxes to the same fax number at the same time of day into one transmission.
	Coverpage Message	-	Set up one or two custom cover page messages to print on outgoing faxes.
	Auto Redial	-	Set the machine to redial the last fax number after five minutes, if the fax did not go through because the line was busy.  If the line is busy when you are sending a fax automatically, the machine redials the number once after five minutes.
	Destination	-	Set the machine to display the destination information on the LCD during fax dialing.
Report Setting	Transmission	-	Select the initial setup for the Transmission Verification Report.
	Journal Period	Journal Period	Set the interval for automatic printing of the Fax Journal.
		Time	If you select an option other than Off and Every 50 Faxes, you can set the time for the option.
		Day	If you select Every 7 Days, you can set the day of the week.
Print Fax	-	-	Print incoming faxes stored in the machine's memory. All faxes are erased from the machine's memory after printing.
Remote Access	-	-	Set your own code for Remote Retrieval.
Dial Restriction	Dial Pad	-	Prevent dialing the wrong number by mistake or restrict dialing when using the method you selected.
	Address Book	-	
	Shortcuts	-	
	LDAP Server	-	
Remaining Jobs	-	-	Check which scheduled jobs are in the machine's memory and cancel selected jobs.
Miscellaneous	Distinctive	Distinctive	Turn on the telephone company's Distinctive Ring subscriber service to register your new ring pattern on the machine.
		Ring Pattern	Register your new ring pattern on the machine.

## [Printer]

### [All Settings] > [Printer]

Level 3	Level 4	Level 5	Descriptions
Emulation	-	-	Select the emulation mode.
Quality	-	-	Select the print quality.
Print Options	Font List	HP LaserJet	Print a list of the machine's internal fonts.
		BR-Script 3	
	Test Print	-	Print a test page.
2-sided	2-sided Print	-	Enable or disable 2-sided printing and choose long edge or short edge.

Level 3	Level 4	Level 5	Descriptions
2-sided	Single Image	-	For a print job where the last page is a 1-sided image, select the 1-sided Feed option to reduce printing time. When you use preprinted paper, you must select the 2-sided Feed option. If you select 1-sided Feed for preprinted paper, the last page will be printed on the reverse side.
Auto Continue	-	-	Select if you want the machine to clear paper size errors or media type errors automatically, and use paper from other trays.
Output Color	-	-	Set the output color.
Paper Type	-	-	Set the paper type.
Paper Size	-	-	Set the paper size.
Copies	-	-	Set the number of printed pages.
Orientation	-	-	Set pages to print in either portrait or landscape orientation.
Edge Emphasis	-	-	Make the text appear sharper.
Print Position	-	-	Access the Print Position setting menus.
Auto FF	-	-	Allow the machine to print any remaining data automatically.
HP LaserJet	Font No.	Font No.	Set the font number. This menu appears if a soft font is installed on your Brother machine.
		Soft Font No.	Set the soft font number. This menu appears if a soft font is installed on your Brother machine.
	Font Pitch	-	Set the font pitch. (Available only for certain fonts.)
	Font Point	-	Set the font size. (Available only for certain fonts.)
	Symbol Set	-	Select the symbol or character set.
	Table Print	-	Print the code table.
	Auto LF	-	ON: CR -> CR+LF, OFF: CR -> CR
	Auto CR	-	ON: LF -> LF+CR, FF -> FF+CR, or VT -> VT+CR OFF: LF -> LF, FF -> FF, or VT -> VT
	Auto WRAP	-	Select whether you want a line feed and carriage return when the carriage position reaches the right margin.
	Auto SKIP	-	Select whether you want a line feed and carriage return when the carriage position reaches the bottom margin.
	Left Margin	-	Set the left margin at column 0 to 70 columns at 1 cpi.
	Right Margin	-	Set the right margin at column 10 to 80 columns at 1 cpi.
	Top Margin	-	Set the top margin distance from the top edge of the paper.
Bottom Margin	-	Set the bottom margin distance from the bottom edge of the paper.	

Level 3	Level 4	Level 5	Descriptions	
HP LaserJet	Lines	-	Set the number of lines on each page.	
	Tray Command	-	Select this setting if a tray mismatch appears when you use the HP drivers.	
BR-Script 3	Error Print	-	Choose whether the machine prints the error information when errors occur.	
	CAPT	-	Use CAPT (Color Advanced Printing Technology) for optimal print quality when printing a PS file created by a non-Brother PS driver. Colors and photos appear clearer and more accurate. Print speed will be slower.	
PDF	Multiple Page	-	Set the page layout when printing multiple pages.	
	PDF Print Options	-	Set the PDF Print setting to print either comments (Markup) or stamps in the PDF file, along with the text.	
	PDF Fit to Page	-	Select if the machine scales or resizes the pages in the PDF file to fit the selected paper size.	
Carbon Menu	Carbon Copy	-	Enable or disable the Carbon Copy function.	
	Copies	-	Set the number of printed pages.	
	Copy1 Tray	-	Select the tray you use for Copy1.	
	Copy1 Stream	-	Select a stream for Copy1.	
	Copy2 Tray ... Copy8 Tray	-	Select the tray you use for Copy2 to Copy8.	
	Copy2 Stream ... Copy8 Stream	-	Select a stream for Copy2 to 8.	
Color Correction	Correction Start	-	Perform color calibration to check and correct colors, and then perform registration to align the print position of each color.	
	Reset	-	Reset the calibration parameters to the default settings.	
	Auto Correction	-	Set the machine to perform Color Calibration and Registration automatically.	
	Color Settings	Setting Mode	-	Select whether to apply the color print settings of the machine or the printer driver.
		Color Mode	-	Select the color mode.
		Improve Gray Color	-	Turn on or off to improve the image quality of shaded areas.
		Enhance Black Printing	-	Turn on or off if a black graphic does not print correctly.
		Brightness	-	Adjust the brightness.
		Contrast	-	Adjust the contrast.
		Red	-	Adjust the red color.
Green	-	Adjust the green color.		
Blue	-	Adjust the blue color.		
Reset Printer	-	-	Restore the machine settings to the factory settings.	

[Network]

[All Settings] > [Network]

Level 3	Level 4	Level 5	Level 6	Descriptions
Wired LAN	TCP/IP	Boot Method	-	Select the Boot method that best suits your needs.
		IP Address	-	Enter the IP address.
		Subnet Mask	-	Enter the Subnet mask.
		Gateway	-	Enter the Gateway address.
		Node Name	-	Enter the Node name. (up to 32 characters)
		WINS Configuration	-	Select the WINS configuration mode.
		WINS Server	Primary	Specify the IP address of the primary WINS server.
			Secondary	Specify the IP address of the secondary WINS server.
		DNS Server	Primary	Specify the IP address of the primary DNS server.
			Secondary	Specify the IP address of the secondary DNS server.
	APIPA	-	Set the machine to allocate the IP address from the link-local address range automatically.	
	IPv6	-	Turn the IPv6 protocol on or off.	
	Ethernet	-	-	Select the Ethernet link mode.
	Wired Status	-	-	View the current wired status.
	MAC Address	-	-	View the machine's MAC address.
Set to Default	-	-	Restore the wired network settings to the factory settings.	
Wired Enable	-	-	Turn the Wired LAN interface on or off manually.	
WLAN (Wi-Fi)	Find Wi-Fi Network	-	-	Configure your wireless network settings manually.
	WPS/Push Button	-	-	Configure your wireless network settings using the one-button push method.
	WPS/PIN Code	-	-	Configure your wireless network settings using WPS with a PIN.
	Recover WLAN	-	-	Reset and restart your wireless network.
	WLAN Status	Status	-	View the current wireless network status.
		Signal	-	View the current wireless network signal strength.
		SSID	-	View the current SSID.
		Comm. Mode	-	View the current Communication mode.
TCP/IP	Boot Method	-	Select the Boot method that best suits your needs.	

Level 3	Level 4	Level 5	Level 6	Descriptions
WLAN (Wi-Fi)	TCP/IP	IP Address	-	Enter the IP address.
		Subnet Mask	-	Enter the Subnet mask.
		Gateway	-	Enter the Gateway address.
		Node Name	-	Enter the Node name. (up to 32 characters)
		WINS Configuration	-	Select the WINS configuration mode.
		WINS Server	Primary	Specify the IP address of the primary WINS server.
			Secondary	Specify the IP address of the secondary WINS server.
		DNS Server	Primary	Specify the IP address of the primary DNS server.
			Secondary	Specify the IP address of the secondary DNS server.
		APIPA	-	Set the machine to allocate the IP address from the link-local address range automatically.
	IPv6	-	Turn the IPv6 protocol on or off.	
	MAC Address	-	-	View the machine's MAC address.
Set to Default	-	-	Restore the wireless network settings to the factory settings.	
WLAN Enable	-	-	Turns the wireless interface on or off.	
Wi-Fi Direct	Manual	-	-	Configure your Wi-Fi Direct network settings manually.
	Group Owner	-	-	Set your machine as the Group Owner.
	Push Button	-	-	Configure your Wi-Fi Direct network settings using the one-button push method.
	PIN Code	-	-	Configure your Wi-Fi Direct network settings using WPS with a PIN code.
	Device Information	Device Name	-	View your machine's device name.
		SSID	-	View the Group Owner's SSID.
		IP Address	-	View your machine's current IP Address.
	Status Information	Status	-	View the current Wi-Fi Direct network status.
		Signal	-	View the current Wi-Fi Direct network signal strength. When your machine acts as Group Owner, the LCD always indicates a strong signal.
	I/F Enable	-	-	Turn the Wi-Fi Direct connection on or off.
NFC	-	-	-	Turn the NFC function on or off.
E-mail/IFAX	Mail Address	-	-	Enter the email address.



Level 3	Level 4	Level 5	Level 6	Descriptions
E-mail/IFAX	Setup Server	SMTP	Server	Enter the SMTP server name and address.
			Port	Enter the SMTP port number.
			Auth. for SMTP	Select the Security method for email notification.
			SSL/TLS	Send or receive an email via an email server that requires secure SSL/TLS communication.
			Verify Cert.	Verify the SMTP Server Certificate automatically.
		POP3/IMAP4	Protocol	Select the protocol for receiving an email from the server.
			Server	Enter the server name and address.
			Port	Enter the port number.
			Mailbox Name	Enter the mailbox name. (Up to 255 characters)
			Mailbox Password	Enter the password to log into the server. (Up to 128 characters)
			Select Folder	Select the specified folder in the mailbox using the IMAP4 protocol.
			SSL/TLS	Send or receive an email via an email server that requires secure SSL/TLS communication.
			Verify Cert.	Verify the SMTP Server Certificate automatically.
			Auth. for POP3/IMAP4	Select the Security method for email notification.
	Setup Mail RX	Auto Polling	Auto Polling	Check the server for new messages automatically.
			Poll Frequency	Set the interval for checking new messages on the server.
		Header	-	Select the contents of the email header to be printed.
		Del/Read Error Mail	-	The POP3 server deletes error emails automatically. The IMAP4 server deletes error emails automatically after you read them.
		Notification	-	Receive notification messages.
	Setup Mail TX	Size Limit	Size Limit	Limit the size of email documents.
			Maximum Size (MB)	
		Notification	-	Send notification messages.
	Setup Relay	Relay Broadcast	-	Relay a document to another fax machine.
		Relay Domain	Relay ##	Register the Domain name.
		Relay Report	-	Print the relay Broadcast Report.
	Report Setting	E-mail	Transmission	Select the initial setup for the Transmission Verification Report.

Level 3	Level 4	Level 5	Level 6	Descriptions
E-mail/IFAX	Report Setting	IFAX	Transmission	Select the initial setup for the Transmission Verification Report.
	Manual Receive	-	-	Check the POP3 or IMAP4 server for new messages manually.
Web Connect Settings	Proxy Settings	Proxy Connection	-	Change the Web connection settings.
		Address	-	
		Port	-	
		User Name	-	
		Password	-	
Web Based Mgmt	-	-	-	Enable or disable Web Based Management. If you enable this function, make sure you specify the connection method to use Web Based Management.
Fax to Server	Fax to Server	-	-	Store the prefix/suffix address for the fax server in your Brother machine.
	Prefix	-	-	
	Suffix	-	-	
IPsec	-	-	-	IPsec is an optional security feature of the IP protocol that provides authentication and encryption services. We recommend contacting your network administrator before changing this setting.
IP Filter	-	-	-	Restrict access to your machine by enabling the IP filter.
Global Detect	Allow Detect	-	-	Enable or disable Global Detect, a function that detects and notifies the user when the user unintentionally connects to a global network.
	Reject Access	-	-	Disable connections to the global network.
Network Reset	-	-	-	Restore all network settings back to the factory settings.

### [Print Reports]

#### [All Settings] > [Print Reports]

Level 3	Level 4	Descriptions
Transmission	View on LCD	Display Transmission Verification Reports about sent faxes.
	Print Report	Print a Transmission Verification Report of your last transmission.
Address Book	-	Print a list of recipients stored in the Address Book.
Fax Journal	-	Print a list of information about your last 200 incoming and outgoing faxes. (TX means Transmit. RX means Receive.)
User Settings	-	Print a list of your User settings.
Printer Settings	-	Print a list of your Printer settings.

Level 3	Level 4	Descriptions
Network Configuration	-	Print a list of your Network settings.
Print File List	-	Print a list of data saved in the machine's memory.
Drum Dot Print	-	Print the Drum Dot Check Sheet.
WLAN Report	-	Print the wireless LAN connection results.

**[Machine Info.]**

[All Settings] > [Machine Info.]

Level 3	Level 4	Level 5	Descriptions
Serial No.	-	-	Check your machine's serial number.
Firmware Version	Main Version	-	Check your machine's firmware version.
	Security Version	-	
Firmware Update	-	-	Update your machine to the latest firmware.
Firmware Update Setup	Update Method	-	Set the days and times for automatic firmware updates.
	Update Days	-	
	Update Time	-	
Page Counter	Total	Color	Check the total number of pages the machine has printed.
		Black and White	
	Fax	-	
	Copy	Color	
		Black and White	
	Print	Color	
		Black and White	
	Other	Color	
Black and White			
Parts Life <sup>1</sup>	Drum	-	Display the remaining life of the drum unit.
	Belt	-	Display the remaining life of the belt unit.
	Fuser	-	Display the remaining life of the fuser unit.
	Laser Unit	-	Display the remaining life of the laser unit.
	PF Kit MP	-	Display the remaining life of PF Kit MP.
	PF Kit 1	-	Display the remaining life of PF Kit 1.
	PF Kit 2 <sup>2</sup>	-	Display the remaining life of PF Kit 2.
	PF Kit 3 <sup>2</sup>	-	Display the remaining life of PF Kit 3.

<sup>1</sup> The parts life is approximate and may vary by type of use.

<sup>2</sup> Available if the Optional Tray(s) is installed.

## [Initial Setup]

### [All Settings] > [Initial Setup]

Level 3	Level 4	Descriptions
Date & Time	Date	Add the date and time on the screen and in the headings of the faxes you send.
	Time	
	Clock Type	Select the time format (12-hour or 24-hour).
	Auto Daylight (Available only for certain countries)	Set the machine to change automatically for Daylight Saving Time.
	Time Zone	Set your time zone.
Station ID	Fax	Enter your name and fax number so it appears on each page you fax.
	Tel	
	Name	
Tone/Pulse (Available only for certain countries)	-	Select the dialing mode.
Dial Tone	-	Shorten the dial tone detection pause.
Dial Prefix	-	Set a prefix number to be added before the fax number every time you dial.
Compatibility	-	Adjust the equalization for transmission difficulties. VoIP service providers offer fax support using various standards. If you regularly experience fax transmission errors, select Basic (for VoIP).
Reset	Machine Reset	Restore the machine settings that you have changed.
	Network Reset	Restore all network settings back to the factory settings.
	Address Book & Fax	Erase all stored phone numbers, fax data, and fax settings.
	All Settings	Restore all the machine's settings back to the factory settings and delete the personal data in the memory. You cannot see the data on the machine.
	Factory Reset	Restore all the machine settings back to the factory settings and delete the personal data in the machine's memory. We recommend using this menu option if you want to delete all the data from the machine.
Local Language (Available only for certain countries)	-	Change your LCD language.



### Related Information

- [Settings and Features Tables](#)

## Settings Tables (DCP-L8630CDW)

Related Models: DCP-L8630CDW

```
>> [Settings]
>> [General Setup]
>> [Shortcut Settings]
>> [Printer]
>> [Network]
>> [Print Reports]
>> [Machine Info.]
>> [Initial Setup]
```

### [Settings]



### [Settings]

Level 1	Level 2	Level 3	Descriptions
(Date & Time)	-	-	Access the Date and Time setting menus.
Toner	Toner Life	-	View the approximate remaining toner life.
	Test Print	-	Print a test page.
	Color Correction	Correction Start	Initiate color calibration to check and correct colors.
		Reset	Reset the calibration parameters to the default settings.
Toner Cartridge Check	Black Cyan Magenta Yellow	View the installed toner cartridge information on the LCD, for example, if the toner cartridge is genuine.	
Network	Wired LAN	-	Access the Wired LAN setting menus.
	WLAN (Wi-Fi)	-	Access the WLAN setting menus.
Tray Setting	-	-	Access the tray setting menus.
Wi-Fi Direct	-	-	Access the Wi-Fi Direct setting menus.
Eco Mode	-	-	Turn on the following machine settings: <ul style="list-style-type: none"> <li>2-sided Print: Long Edge (available for certain models) <sup>1</sup></li> <li>Sleep Time: 0Min</li> <li>Dim Timer: 10Secs</li> <li>Quiet Mode: On <sup>1</sup></li> <li>Toner Save: On <sup>1</sup></li> </ul>
All Settings	-	-	Configure the detailed settings.

<sup>1</sup> Changing this setting is possible only after you change certain machine settings in Web Based Management.

[General Setup]

[All Settings] > [General Setup]

Level 3	Level 4	Level 5	Level 6	Descriptions
Tray Setting	Paper Type	MP Tray	-	Select the paper type that matches the paper in the MP tray.
		Tray 1	-	Select the paper type that matches the paper in the standard paper tray.
		Tray 2 <sup>1</sup>	-	Select the paper type that matches the paper in the Optional Tray (Tray 2).
		Tray 3 <sup>1</sup>	-	Select the paper type that matches the paper in the Optional Tray (Tray 3).
	Paper Size	MP Tray	-	Select the paper size you loaded in the MP tray.
		Tray 1	-	Select the paper size you loaded in the standard paper tray.
		Tray 2 <sup>1</sup>	-	Select the paper size you loaded in the Optional Tray (Tray 2).
		Tray 3 <sup>1</sup>	-	Select the paper size you loaded in the Optional Tray (Tray 3).
	Copy	-	-	Select the tray you want to use for making a Copy.
	Print	-	-	Select the tray you want to use to Print.
	Print Position	MP Tray	X Offset	Adjust the print start position (usually at the upper left corner of a page) for the paper you loaded in the MP tray horizontally from -500 (left) to +500 (right) dots when printing at 300 dpi.
			Y Offset	Adjust the print start position (usually at the upper left corner of a page) for the paper you loaded in the MP tray vertically from -500 (up) to +500 (down) dots when printing at 300 dpi.
		Tray 1	X Offset	Adjust the print start position (usually at the upper left corner of a page) for the paper you loaded in the standard paper tray horizontally from -500 (left) to +500 (right) dots when printing at 300 dpi.
			Y Offset	Adjust the print start position (usually at the upper left corner of a page) for the paper you loaded in the standard paper tray vertically from -500 (up) to +500 (down) dots when printing at 300 dpi.
		Tray 2 <sup>1</sup>	X Offset	Adjust the print start position (usually at the upper left corner of a page) for the paper you loaded in the Optional tray (Tray 2) horizontally from -500 (left) to +500 (right) dots when printing at 300 dpi.
			Y Offset	Adjust the print start position (usually at the upper left corner of a page) for the paper you loaded in the Optional tray (Tray 2) vertically from -500 (up) to +500 (down) dots when printing at 300 dpi.
Tray 3 <sup>1</sup>		X Offset	Adjust the print start position (usually at the upper left corner of a page) for the paper you loaded in the Optional tray (Tray 3) horizontally from -500 (left) to +500 (right) dots when printing at 300 dpi.	
		Y Offset	Adjust the print start position (usually at the upper left corner of a page) for the paper you loaded in the Optional tray (Tray 3) vertically from -500 (up) to +500 (down) dots when printing at 300 dpi.	

Level 3	Level 4	Level 5	Level 6	Descriptions
Tray Setting	Skip Tray <sup>1</sup>	-	-	Select a specific tray to skip if you know it is loaded with the wrong size paper.
	Separator Tray <sup>1</sup>	-	-	Select the tray that contains the paper used as the separator paper, which is inserted between each print job.
	Paper Low Notice	Paper Low Notice	-	Select whether or not to display a message indicating the paper tray is nearly empty.
		Notice Level	-	Select the minimum paper level that will trigger the message.
	Check Paper	-	-	Select whether or not to display a message indicating you must check the paper type and paper size.
Beep	-	-	-	Adjust the beeper volume.
LCD Settings	Backlight	-	-	Adjust the brightness of the LCD backlight.
	Dim Timer	-	-	Set how long the LCD backlight stays on after you go back to your Main Home screen and other functions.
	Backlight Timer	-	-	Set how long the LCD backlight turns off after you go back to your Main Home screen and other functions.
Screen Settings	Home Screen	-	-	Set the Main Home screen.
	Scan Screen	-	-	Set the default Scan screen.
	Display Information	IP Address	-	Select whether or not to display your machine's IP Address on the Home screens.
Notice Settings	Scan Result (Skip Blank Page)	-	-	Displays the total scanned pages and skipped pages after scanning is completed.
Ecology	Eco Mode	-	-	Turn on the following machine settings: <ul style="list-style-type: none"> <li>• 2-sided Print: Long Edge (available for certain models) <sup>2</sup></li> <li>• Sleep Time: 0Min</li> <li>• Dim Timer: 10Secs</li> <li>• Quiet Mode: On <sup>2</sup></li> <li>• Toner Save: On <sup>2</sup></li> </ul>
	Toner Save	-	-	Increase the page yield of the toner cartridge.
	Sleep Time	-	-	Set how much time should pass before the machine enters Power Saving mode.
	Quiet Mode	-	-	Decrease printing noise.
	Auto Power Off	-	-	Set the number of minutes or hours before the machine enters Power Off mode.
Setting Lock	-	-	-	Restrict unauthorized users from changing the machine's settings.
Delete Storage	Macro ID	-	-	Delete the registered Macro data.
	Stream ID	-	-	Delete the registered Stream data.
	Font ID	-	-	Delete the registered Font data.
	Delete All	-	-	Restore your machine's Macro/Stream and Font data to the factory settings.

<sup>1</sup> Available if the Optional Tray(s) is installed.

<sup>2</sup> Changing this setting is possible only after you change certain machine settings in Web Based Management.

## [Shortcut Settings]

[All Settings] > [Shortcut Settings]

Level 3	Level 4	Descriptions
(Select a Shortcut)	Rename	Change the shortcut name.
	Edit	Change the shortcut settings.
	Delete	Delete the shortcut.
	Register Card/NFC	Assign a shortcut to an IC card.
	Delete Card/NFC	Remove a shortcut from an IC card.

## [Printer]

[All Settings] > [Printer]

Level 3	Level 4	Level 5	Descriptions
Emulation	-	-	Select the emulation mode.
Quality	-	-	Select the print quality.
Print Options	Font List	HP LaserJet	Print a list of the machine's internal fonts.
		BR-Script 3	
	Test Print	-	Print a test page.
2-sided	2-sided Print	-	Enable or disable 2-sided printing and choose long edge or short edge.
	Single Image	-	For a print job where the last page is a 1-sided image, select the 1-sided Feed option to reduce printing time. When you use preprinted paper, you must select the 2-sided Feed option. If you select 1-sided Feed for preprinted paper, the last page will be printed on the reverse side.
Auto Continue	-	-	Select if you want the machine to clear paper size errors or media type errors automatically, and use paper from other trays.
Output Color	-	-	Set the output color.
Paper Type	-	-	Set the paper type.
Paper Size	-	-	Set the paper size.
Copies	-	-	Set the number of printed pages.
Orientation	-	-	Set pages to print in either portrait or landscape orientation.
Edge Emphasis	-	-	Make the text appear sharper.
Print Position	-	-	Access the Print Position setting menus.
Auto FF	-	-	Allow the machine to print any remaining data automatically.
HP LaserJet	Font No.	Font No.	Set the font number. This menu appears if a soft font is installed on your Brother machine.
		Soft Font No.	Set the soft font number. This menu appears if a soft font is installed on your Brother machine.
	Font Pitch	-	Set the font pitch.



Level 3	Level 4	Level 5	Descriptions
HP LaserJet			(Available only for certain fonts.)
	Font Point	-	Set the font size. (Available only for certain fonts.)
	Symbol Set	-	Select the symbol or character set.
	Table Print	-	Print the code table.
	Auto LF	-	ON: CR -> CR+LF, OFF: CR -> CR
	Auto CR	-	ON: LF -> LF+CR, FF -> FF+CR, or VT -> VT+CR OFF: LF -> LF, FF -> FF, or VT -> VT
	Auto WRAP	-	Select whether you want a line feed and carriage return when the carriage position reaches the right margin.
	Auto SKIP	-	Select whether you want a line feed and carriage return when the carriage position reaches the bottom margin.
	Left Margin	-	Set the left margin at column 0 to 70 columns at 1 cpi.
	Right Margin	-	Set the right margin at column 10 to 80 columns at 1 cpi.
	Top Margin	-	Set the top margin distance from the top edge of the paper.
	Bottom Margin	-	Set the bottom margin distance from the bottom edge of the paper.
	Lines	-	Set the number of lines on each page.
Tray Command	-	Select this setting if a tray mismatch appears when you use the HP drivers.	
BR-Script 3	Error Print	-	Choose whether the machine prints the error information when errors occur.
	CAPT	-	Use CAPT (Color Advanced Printing Technology) for optimal print quality when printing a PS file created by a non-Brother PS driver.  Colors and photos appear clearer and more accurate. Print speed will be slower.
PDF	Multiple Page	-	Set the page layout when printing multiple pages.
	PDF Print Options	-	Set the PDF Print setting to print either comments (Markup) or stamps in the PDF file, along with the text.
	PDF Fit to Page	-	Select if the machine scales or resizes the pages in the PDF file to fit the selected paper size.
Carbon Menu	Carbon Copy	-	Enable or disable the Carbon Copy function.
	Copies	-	Set the number of printed pages.
	Copy1 Tray	-	Select the tray you use for Copy1.
	Copy1 Stream	-	Select a stream for Copy1.
	Copy2 Tray ... Copy8 Tray	-	Select the tray you use for Copy2 to Copy8.
	Copy2 Stream ... Copy8 Stream	-	Select a stream for Copy2 to 8.

Level 3	Level 4	Level 5	Descriptions	
Color Correction	Correction Start	-	Perform color calibration to check and correct colors, and then perform registration to align the print position of each color.	
	Reset	-	Reset the calibration parameters to the default settings.	
	Auto Correction	-	Set the machine to perform Color Calibration and Registration automatically.	
	Color Settings	Setting Mode		Select whether to apply the color print settings of the machine or the printer driver.
		Color Mode		Select the color mode.
		Improve Gray Color		Turn on or off to improve the image quality of shaded areas.
		Enhance Black Printing		Turn on or off if a black graphic does not print correctly.
		Brightness		Adjust the brightness.
		Contrast		Adjust the contrast.
		Red		Adjust the red color.
Green		Adjust the green color.		
Blue		Adjust the blue color.		
Reset Printer	-	-	Restore the machine settings to the factory settings.	

## [Network]

[All Settings] > [Network]

Level 3	Level 4	Level 5	Level 6	Descriptions	
Wired LAN	TCP/IP	Boot Method	-	Select the Boot method that best suits your needs.	
		IP Address	-	Enter the IP address.	
		Subnet Mask	-	Enter the Subnet mask.	
		Gateway	-	Enter the Gateway address.	
		Node Name	-	Enter the Node name. (up to 32 characters)	
		WINS Configuration	-	Select the WINS configuration mode.	
		WINS Server	Primary		Specify the IP address of the primary WINS server.
			Secondary		Specify the IP address of the secondary WINS server.
		DNS Server	Primary		Specify the IP address of the primary DNS server.
			Secondary		Specify the IP address of the secondary DNS server.
	APIPA	-	-	Set the machine to allocate the IP address from the link-local address range automatically.	
	IPv6	-	-	Turn the IPv6 protocol on or off.	
	Ethernet	-	-	Select the Ethernet link mode.	
Wired Status	-	-	View the current wired status.		

Level 3	Level 4	Level 5	Level 6	Descriptions		
Wired LAN	MAC Address	-	-	View the machine's MAC address.		
	Set to Default	-	-	Restore the wired network settings to the factory settings.		
	Wired Enable	-	-	Turn the Wired LAN interface on or off manually.		
WLAN (Wi-Fi)	Find Wi-Fi Network	-	-	Configure your wireless network settings manually.		
	WPS/Push Button	-	-	Configure your wireless network settings using the one-button push method.		
	WPS/PIN Code	-	-	Configure your wireless network settings using WPS with a PIN.		
	Recover WLAN	-	-	Reset and restart your wireless network.		
	WLAN Status	Status	-	-	View the current wireless network status.	
		Signal	-	-	View the current wireless network signal strength.	
		SSID	-	-	View the current SSID.	
		Comm. Mode	-	-	View the current Communication mode.	
	TCP/IP	Boot Method	-	-	Select the Boot method that best suits your needs.	
		IP Address	-	-	Enter the IP address.	
		Subnet Mask	-	-	Enter the Subnet mask.	
		Gateway	-	-	Enter the Gateway address.	
		Node Name	-	-	Enter the Node name. (up to 32 characters)	
		WINS Configuration	-	-	Select the WINS configuration mode.	
		WINS Server	Primary	-	-	Specify the IP address of the primary WINS server.
			Secondary	-	-	Specify the IP address of the secondary WINS server.
		DNS Server	Primary	-	-	Specify the IP address of the primary DNS server.
			Secondary	-	-	Specify the IP address of the secondary DNS server.
		APIPA	-	-	Set the machine to allocate the IP address from the link-local address range automatically.	
	IPv6	-	-	Turn the IPv6 protocol on or off.		
	MAC Address	-	-	View the machine's MAC address.		
Set to Default	-	-	Restore the wireless network settings to the factory settings.			
WLAN Enable	-	-	Turns the wireless interface on or off.			
Wi-Fi Direct	Manual	-	-	Configure your Wi-Fi Direct network settings manually.		

Level 3	Level 4	Level 5	Level 6	Descriptions	
Wi-Fi Direct	Group Owner	-	-	Set your machine as the Group Owner.	
	Push Button	-	-	Configure your Wi-Fi Direct network settings using the one-button push method.	
	PIN Code	-	-	Configure your Wi-Fi Direct network settings using WPS with a PIN code.	
	Device Information	Device Name	-	-	View your machine's device name.
		SSID	-	-	View the Group Owner's SSID.
		IP Address	-	-	View your machine's current IP Address.
	Status Information	Status	-	-	View the current Wi-Fi Direct network status.
Signal		-	-	View the current Wi-Fi Direct network signal strength. When your machine acts as Group Owner, the LCD always indicates a strong signal.	
I/F Enable	-	-	-	Turn the Wi-Fi Direct connection on or off.	
E-mail	Mail Address	-	-	Enter the email address.	
	Setup Server	SMTP	Server	Enter the SMTP server name and address.	
			Port	Enter the SMTP port number.	
			Auth. for SMTP	Select the Security method for email notification.	
			SSL/TLS	Send or receive an email via an email server that requires secure SSL/TLS communication.	
			Verify Cert.	Verify the SMTP Server Certificate automatically.	
	Setup Mail TX	Size Limit	Size Limit	Limit the size of email documents.	
Maximum Size (MB)					
	Notification	-	-	Send notification messages.	
Web Connect Settings	Proxy Settings	Proxy Connection	-	Change the Web connection settings.	
		Address	-		
		Port	-		
		User Name	-		
		Password	-		
Web Based Mgmt	-	-	-	Enable or disable Web Based Management. If you enable this function, make sure you specify the connection method to use Web Based Management.	
IPsec	-	-	-	IPsec is an optional security feature of the IP protocol that provides authentication and encryption services. We recommend contacting	

Level 3	Level 4	Level 5	Level 6	Descriptions
				your network administrator before changing this setting.
IP Filter	-	-	-	Restrict access to your machine by enabling the IP filter.
Global Detect	Allow Detect	-	-	Enable or disable Global Detect, a function that detects and notifies the user when the user unintentionally connects to a global network.
	Reject Access	-	-	Disable connections to the global network.
Network Reset	-	-	-	Restore all network settings back to the factory settings.

### [Print Reports]

[All Settings] > [Print Reports]

Level 3	Level 4	Descriptions
Address Book	-	Print a list of recipients stored in the Address Book.
User Settings	-	Print a list of your User settings.
Printer Settings	-	Print a list of your Printer settings.
Network Configuration	-	Print a list of your Network settings.
Print File List	-	Print a list of data saved in the machine's memory.
Drum Dot Print	-	Print the Drum Dot Check Sheet.
WLAN Report	-	Print the wireless LAN connection results.

### [Machine Info.]

[All Settings] > [Machine Info.]

Level 3	Level 4	Level 5	Descriptions
Serial No.	-	-	Check your machine's serial number.
Firmware Version	Main Version	-	Check your machine's firmware version.
	Security Version	-	
Firmware Update	-	-	Update your machine to the latest firmware.
Firmware Update Setup	Update Method	-	Set the days and times for automatic firmware updates.
	Update Days	-	
	Update Time	-	
Page Counter	Total	Color	Check the total number of pages the machine has printed.
		Black and White	
	Copy	Color	
		Black and White	
	Print	Color	
		Black and White	

Level 3	Level 4	Level 5	Descriptions
Page Counter	Other	Color	Check the total number of pages the machine has printed.
		Black and White	
Parts Life <sup>1</sup>	Drum	-	Display the remaining life of the drum unit.
	Belt	-	Display the remaining life of the belt unit.
	Fuser	-	Display the remaining life of the fuser unit.
	Laser Unit	-	Display the remaining life of the laser unit.
	PF Kit MP	-	Display the remaining life of PF Kit MP.
	PF Kit 1	-	Display the remaining life of PF Kit 1.
	PF Kit 2 <sup>2</sup>	-	Display the remaining life of PF Kit 2.
	PF Kit 3 <sup>2</sup>	-	Display the remaining life of PF Kit 3.

<sup>1</sup> The parts life is approximate and may vary by type of use.

<sup>2</sup> Available if the Optional Tray(s) is installed.

## [Initial Setup]

### [All Settings] > [Initial Setup]

Level 3	Level 4	Descriptions
Date & Time	Date	Set the date and time on your machine.
	Time	
	Clock Type	Select the time format (12-hour or 24-hour).
	Auto Daylight (Available only for certain countries)	Set the machine to change automatically for Daylight Saving Time.
	Time Zone	Set your time zone.
Reset	Machine Reset	Restore the machine settings that you have changed.
	Network Reset	Restore all network settings back to the factory settings.
	Address Book	Erase all stored phone numbers.
	All Settings	Restore all the machine's settings back to the factory settings and delete the personal data in the memory. You cannot see the data on the machine.
	Factory Reset	Restore all the machine settings back to the factory settings and delete the personal data in the machine's memory. We recommend using this menu option if you want to delete all the data from the machine.
Local Language (Available only for certain countries)	-	Change your LCD language.



## Related Information

- [Settings and Features Tables](#)

## Settings Tables (MFC-L8930CDW/MFC-L8970CDW/MFC-EX575)

Related Models: MFC-L8930CDW/MFC-L8970CDW/MFC-EX575

- >> [General Setup]
- >> [Shortcut Settings]
- >> [Fax]
- >> [Printer]
- >> [Network]
- >> [Print Reports]
- >> [Machine Info.]
- >> [Initial Setup]
- >> [Admin Settings]

### [General Setup]

[All Settings] > [General Setup]

Level 3	Level 4	Level 5	Level 6	Descriptions	
Tray Setting	Paper Type	MP Tray	-	Select the paper type that matches the paper in the MP tray.	
		Tray 1	-	Select the paper type that matches the paper in the standard paper tray.	
		Tray 2 <sup>1</sup>	-	Select the paper type that matches the paper in the Optional Tray (Tray 2).	
		Tray 3 <sup>1</sup>	-	Select the paper type that matches the paper in the Optional Tray (Tray 3).	
	Paper Size	MP Tray	-	Select the paper size you loaded in the MP tray.	
		Tray 1	-	Select the paper size you loaded in the standard paper tray.	
		Tray 2 <sup>1</sup>	-	Select the paper size you loaded in the Optional Tray (Tray 2).	
		Tray 3 <sup>1</sup>	-	Select the paper size you loaded in the Optional Tray (Tray 3).	
	Copy	-	-	Select the tray you want to use for making a Copy.	
	Fax	-	-	Select the tray you want to use for printing a Fax.	
	Print	-	-	Select the tray you want to use to Print.	
	Print Position	MP Tray	X Offset		Adjust the print start position (usually at the upper left corner of a page) for the paper you loaded in the MP tray horizontally from -500 (left) to +500 (right) dots when printing at 300 dpi.
			Y Offset		Adjust the print start position (usually at the upper left corner of a page) for the paper you loaded in the MP tray vertically from -500 (up) to +500 (down) dots when printing at 300 dpi.
		Tray 1	X Offset		Adjust the print start position (usually at the upper left corner of a page) for the paper you loaded in the standard paper tray horizontally from -500 (left) to +500 (right) dots when printing at 300 dpi.
Y Offset				Adjust the print start position (usually at the upper left corner of a page) for the paper you loaded in	

Level 3	Level 4	Level 5	Level 6	Descriptions	
Tray Setting	Print Position	Tray 1		the standard paper tray vertically from -500 (up) to +500 (down) dots when printing at 300 dpi.	
		Tray 2 <sup>1</sup>	X Offset	Adjust the print start position (usually at the upper left corner of a page) for the paper you loaded in the Optional tray (Tray 2) horizontally from -500 (left) to +500 (right) dots when printing at 300 dpi.	
			Y Offset	Adjust the print start position (usually at the upper left corner of a page) for the paper you loaded in the Optional tray (Tray 2) vertically from -500 (up) to +500 (down) dots when printing at 300 dpi.	
		Tray 3 <sup>1</sup>	X Offset	Adjust the print start position (usually at the upper left corner of a page) for the paper you loaded in the Optional tray (Tray 3) horizontally from -500 (left) to +500 (right) dots when printing at 300 dpi.	
			Y Offset	Adjust the print start position (usually at the upper left corner of a page) for the paper you loaded in the Optional tray (Tray 3) vertically from -500 (up) to +500 (down) dots when printing at 300 dpi.	
		Skip Tray <sup>1</sup>	-	-	Select a specific tray to skip if you know it is loaded with the wrong size paper.
	Separator Tray <sup>1</sup>	-	-	Select the tray that contains the paper used as the separator paper, which is inserted between each print job.	
	Paper Low Notice	Paper Low Notice	-	-	Select whether or not to display a message indicating the paper tray is nearly empty.
		Notice Level	-	-	Select the minimum paper level that will trigger the message.
	Check Paper	-	-	-	Select whether or not to display a message indicating you must check the paper type and paper size.
Volume	Ring	-	-	Adjust the ring volume.	
	Beep	-	-	Adjust the beeper volume.	
	Speaker	-	-	Adjust the speaker volume.	
LCD Settings	Backlight	-	-	Adjust the brightness of the LCD backlight.	
	Dim Timer	-	-	Set how long the LCD backlight stays on after you go back to your Main Home screen and other functions.	
	Backlight Timer	-	-	Set how long the LCD backlight turns off after you go back to your Main Home screen and other functions.	
Notice Settings	Document Alert	-	-	Select whether to alert you when the document is left on the scanner glass.	
	Scan Result (Skip Blank Page)	-	-	Displays the total scanned pages and skipped pages after scanning is completed.	
Ecology	Eco Mode	-	-	Turn on the following machine settings: <ul style="list-style-type: none"> <li>• 2-sided Print:Long Edge<sup>2</sup></li> <li>• Sleep Time:0 Min</li> <li>• Dim Timer:10 Secs</li> <li>• Quiet Mode:On<sup>2</sup></li> <li>• Toner Save:On<sup>2</sup></li> </ul>	



Level 3	Level 4	Level 5	Level 6	Descriptions
Ecology	Toner Save	-	-	Increase the page yield of the toner cartridge.
	Sleep Time	-	-	Set how much time should pass before the machine enters Power Saving mode.
	Quiet Mode	-	-	Decrease printing noise.
	Auto Power Off	-	-	Set the number of minutes or hours before the machine enters Power Off mode.
Delete Storage	Macro ID	-	-	Delete the registered Macro data.
	Stream ID	-	-	Delete the registered Stream data.
	Font ID	-	-	Delete the registered Font data.
	Delete All	-	-	Restore your machine's Macro/Stream and Font data to the factory settings.
	Initialize USB Flash Drive (MFC-L8970CDW/ MFC-EX575) (Available only when the USB flash drive is selected in the Job Save Location menu.)	-	-	Initialize the USB flash drive for USB Storage Print. Initializing the USB flash drive takes more than 40 minutes.

<sup>1</sup> Available if the Optional Tray(s) is installed.

<sup>2</sup> Changing this setting is possible only after you change certain machine settings in Web Based Management.

## [Shortcut Settings]

[All Settings] > [Shortcut Settings]

Level 3	Level 4	Descriptions
(Select a Shortcut)	Rename	Change the shortcut name.
	Edit	Change the shortcut settings.
	Delete	Delete the shortcut.
	Register Card/NFC	Assign a shortcut to an IC card.
	Delete Card/NFC	Remove a shortcut from an IC card.

## [Fax]

[All Settings] > [Fax]

Level 3	Level 4	Level 5	Descriptions
Setup Receive	Ring Delay	-	Set the number of rings before the machine answers in Fax or Fax/Tel mode.
	Receive Mode	-	Select the Receive Mode that best suits your needs.
	F/T Ring Time	-	Set the length of the pseudo/double-ring time in Fax/Tel mode.
	Fax Preview	-	View received faxes on the LCD.
	Easy Receive	-	Receive fax messages automatically when you answer a call and hear fax tones.
	Remote Codes	Remote Codes Fax Receive Code	Answer calls at an extension or external telephone and use codes to turn on or off the Remote Codes. You can personalize the codes.

Level 3	Level 4	Level 5	Descriptions	
Setup Receive	Remote Codes	Tel Answer	Answer calls at an extension or external telephone and use codes to turn on or off the Remote Codes. You can personalize the codes.	
	Auto Reduction	-	Reduce each page of an incoming fax to fit on your paper.	
	PC Fax Receive	-	Set the machine to send faxes to your computer. You can turn on the Backup Print safety feature.	
	Memory Receive	Off	-	
		Fax Forward	Set the machine to forward fax messages or to store incoming faxes in the memory (so you can retrieve them while you are away from your machine).  If you select Fax Forward or Fax Storage, you can turn on the Backup Print safety feature.	
		Fax Storage		
		Forward to Cloud	Forward incoming faxes to the online service.	
	Forward to Network	Forward incoming faxes to a network destination.		
Fax Rx Stamp	-	Print the received time and date on the top of incoming faxes.		
2-sided	-	Print incoming faxes on both sides of the paper.		
Setup Send	Batch TX	-	Combine delayed faxes to the same fax number at the same time of day into one transmission.	
	Coverpage Message	-	Set up your own comments for the fax cover page.	
	Auto Redial	-	Set the machine to redial the last fax number after five minutes, if the fax did not go through because the line was busy.  If the line is busy when you are sending a fax automatically, the machine redials the number once after five minutes.	
	Destination	-	Set the machine to display the destination information on the LCD during fax dialing.	
Report Setting	Transmission	-	Select the initial setup for the Transmission Verification Report.	
	Journal Period	Journal Period	Set the interval for automatic printing of the Fax Journal.	
		Time	If you select an option other than Off and Every 50 Faxes, you can set the time for the option.	
		Day	If you select Every 7 Days, you can set the day of the week.	
Print Fax	-	-	Print incoming faxes stored in the machine's memory. All faxes are erased from the machine's memory after printing.	
Remote Access	-	-	Set your own code for Remote Retrieval.	
Dial Restriction	Dial Pad	-	Prevent dialing the wrong number by mistake or restrict dialing when using the method you selected.	
	Address Book	-		
	Shortcuts	-		
	LDAP Server	-		

Level 3	Level 4	Level 5	Descriptions
Remaining Jobs	-	-	Check which scheduled jobs are in the machine's memory and cancel selected jobs.
Miscellaneous	Distinctive	Distinctive	Turn on the telephone company's Distinctive Ring subscriber service to register your new ring pattern on the machine.
		Ring Pattern	Register your new ring pattern on the machine.

## [Printer]

### [All Settings] > [Printer]

Level 3	Level 4	Level 5	Descriptions
Emulation	-	-	Select the emulation mode.
Quality	-	-	Select the print quality.
Print Options	Font List	HP LaserJet	Print a list of the machine's internal fonts.
		BR-Script 3	
	Test Print	-	Print a test page.
2-sided	2-sided Print	-	Enable or disable 2-sided printing and choose long edge or short edge.
	Single Image	-	For a print job where the last page is a one-sided image, select the 1-sided Feed option to reduce printing time. When you use letterhead or preprinted paper, you must select the 2-sided Feed option. If you select 1-sided Feed for letterhead or preprinted paper, the last page will be printed on the reverse side.
Auto Continue	-	-	Select if you want the machine to clear paper size errors or media type errors automatically, and use paper from other trays.
Output Color	-	-	Set the output color.
Paper Type	-	-	Set the paper type.
Paper Size	-	-	Set the paper size.
Copies	-	-	Set the number of printed pages.
Orientation	-	-	Set pages to print in either portrait or landscape orientation.
Edge Emphasis	-	-	Make the text appear sharper.
Print Position	-	-	Access the Print Position setting menus.
Auto FF	-	-	Allow the machine to print any remaining data automatically.
HP LaserJet	Font No.	Font No.	Set the font number. This menu appears if a soft font is installed on your Brother machine.
		Soft Font No.	Set the soft font number. This menu appears if a soft font is installed on your Brother machine.
	Font Pitch	-	Set the font pitch. (Available only for certain fonts.)
	Font Point	-	Set the font size.

Level 3	Level 4	Level 5	Descriptions
HP LaserJet			(Available only for certain fonts.)
	Symbol Set	-	Select the symbol or character set.
	Table Print	-	Print the code table.
	Auto LF	-	ON: CR -> CR+LF, OFF: CR -> CR
	Auto CR	-	ON: LF -> LF+CR, FF -> FF+CR, or VT -> VT+CR OFF: LF -> LF, FF -> FF, or VT -> VT
	Auto WRAP	-	Select whether you want a line feed and carriage return when the carriage position reaches the right margin.
	Auto SKIP	-	Select whether you want a line feed and carriage return when the carriage position reaches the bottom margin.
	Left Margin	-	Set the left margin at column 0 to 70 columns at 1 cpi.
	Right Margin	-	Set the right margin at column 10 to 80 columns at 1 cpi.
	Top Margin	-	Set the top margin distance from the top edge of the paper.
	Bottom Margin	-	Set the bottom margin distance from the bottom edge of the paper.
	Lines	-	Set the number of lines on each page.
Tray Command	-	Select this setting if a tray mismatch appears when you use the HP drivers.	
BR-Script 3	Error Print	-	Choose whether the machine prints the error information when errors occur.
	CAPT	-	Use CAPT (Color Advanced Printing Technology) for optimal print quality when printing a PS file created by a non-Brother PS driver. Colors and photos appear clearer and more accurate. Print speed will be slower.
PDF	Multiple Page	-	Set the page layout when printing multiple pages.
	PDF Print Options	-	Set the PDF Print setting to print either comments (Markup) or stamps in the PDF file, along with the text.
	PDF Fit to Page	-	Select if the machine scales or resizes the pages in the PDF file to fit the selected paper size.
Carbon Menu	Carbon Copy	-	Enable or disable the Carbon Copy function.
	Copies	-	Set the number of printed pages.
	Copy1 Tray	-	Select the tray you use for Copy1.
	Copy1 Stream	-	Select a stream for Copy1.
	Copy2 Tray ...	-	Select the tray you use for Copy2 to Copy8.
	Copy8 Tray	-	
	Copy2 Stream ... Copy8 Stream	-	Select a stream for Copy2 to 8.
Color Correction	Correction Start	-	Perform color calibration to check and correct colors, and then perform registration to align the print position of each color.

Level 3	Level 4	Level 5	Descriptions	
Color Correction	Reset	-	Reset the calibration parameters to the default settings.	
	Auto Correction	-	Set the machine to perform Color Calibration and Registration automatically.	
	Color Settings	Setting Mode		Select whether to apply the color print settings of the machine or the printer driver.
		Color Mode		Select the color mode.
		Improve Gray Color		Turn on or off to improve the image quality of shaded areas.
		Enhance Black Printing		Turn on or off if a black graphic does not print correctly.
		Brightness		Adjust the brightness.
		Contrast		Adjust the contrast.
		Red		Adjust the red color.
		Green		Adjust the green color.
Blue		Adjust the blue color.		
Job Save Location (MFC-L8970CDW/ MFC-EX575)	-	-	Select the location where you want to save print jobs.	
Reset Printer	-	-	Restore the machine settings to the factory settings.	

## [Network]

### [All Settings] > [Network]

Level 3	Level 4	Level 5	Level 6	Descriptions	
Wired LAN	TCP/IP	BOOT Method	-	Select the Boot method that best suits your needs.	
		IP Address	-	Enter the IP address.	
		Subnet Mask	-	Enter the Subnet mask.	
		Gateway	-	Enter the Gateway address.	
		Node Name	-	Enter the Node name. (up to 32 characters)	
		WINS Configuration	-	Select the WINS configuration mode.	
		WINS Server	Primary		Specify the IP address of the primary WINS server.
			Secondary		Specify the IP address of the secondary WINS server.
		DNS Server	Primary		Specify the IP address of the primary DNS server.
			Secondary		Specify the IP address of the secondary DNS server.
		APIPA	-		Set the machine to allocate the IP address from the link-local address range automatically.
IPv6	-		Turn the IPv6 protocol on or off.		

Level 3	Level 4	Level 5	Level 6	Descriptions		
Wired LAN	Ethernet	-	-	Select the Ethernet link mode.		
	Wired Status	-	-	View the current wired status.		
	MAC Address	-	-	View the machine's MAC address.		
	Set to Default	-	-	Restore the wired network settings to the factory settings.		
	Wired Enable	-	-	Turn the Wired LAN interface on or off manually.		
WLAN (Wi-Fi)	Find Wi-Fi Network	-	-	Configure your wireless network settings manually.		
	WPS/Push Button	-	-	Configure your wireless network settings using the one-button push method.		
	WPS/PIN Code	-	-	Configure your wireless network settings using WPS with a PIN.		
	Recover WLAN	-	-	Reset and restart your wireless network.		
	WLAN Status	Status	-	-	View the current wireless network status.	
		Signal	-	-	View the current wireless network signal strength.	
		SSID	-	-	View the current SSID.	
		Comm. Mode	-	-	View the current Communication mode.	
	TCP/IP	BOOT Method	-	-	Select the Boot method that best suits your needs.	
		IP Address	-	-	Enter the IP address.	
		Subnet Mask	-	-	Enter the Subnet mask.	
		Gateway	-	-	Enter the Gateway address.	
		Node Name	-	-	Enter the Node name. (up to 32 characters)	
		WINS Configuration	-	-	Select the WINS configuration mode.	
		WINS Server	Primary	-	-	Specify the IP address of the primary WINS server.
			Secondary	-	-	Specify the IP address of the secondary WINS server.
		DNS Server	Primary	-	-	Specify the IP address of the primary DNS server.
			Secondary	-	-	Specify the IP address of the secondary DNS server.
		APIPA	-	-	Set the machine to allocate the IP address from the link-local address range automatically.	
	IPv6	-	-	Turn the IPv6 protocol on or off.		
	MAC Address	-	-	View the machine's MAC address.		
	Set to Default	-	-	Restore the wireless network settings to the factory settings.		
WLAN Enable	-	-	Turns the wireless interface on or off.			

Level 3	Level 4	Level 5	Level 6	Descriptions	
Wi-Fi Direct	Manual	-	-	Configure your Wi-Fi Direct network settings manually.	
	Group Owner	-	-	Set your machine as the Group Owner.	
	Push Button	-	-	Configure your Wi-Fi Direct network settings using the one-button push method.	
	PIN Code	-	-	Configure your Wi-Fi Direct network settings using WPS with a PIN code.	
	Device Information	Device Name	-	-	View your machine's device name.
		SSID	-	-	View the Group Owner's SSID.
		IP Address	-	-	View your machine's current IP Address.
	Status Information	Status	-	-	View the current Wi-Fi Direct network status.
		Signal	-	-	View the current Wi-Fi Direct network signal strength. When your machine acts as Group Owner, the LCD always indicates a strong signal.
	I/F Enable	-	-	-	Turn the Wi-Fi Direct connection on or off.
NFC	-	-	-	Turn the NFC function on or off.	
E-mail/IFAX	Mail Address	-	-	Enter the email address.	
	Setup Server	SMTP	Server	Enter the SMTP server name and address.	
			Port	Enter the SMTP port number.	
			Auth. for SMTP	Select the Security method for email notification.	
			SSL/TLS	Send or receive an email via an email server that requires secure SSL/TLS communication.	
			Verify Cert.	Verify the SMTP Server Certificate automatically.	
		POP3/IMAP4	Protocol	Select the protocol for receiving an email from the server.	
			Server	Enter the server name and address.	
			Port	Enter the port number.	
			Mailbox Name	Enter the mailbox name. (Up to 255 characters)	
			Mailbox Password	Enter the password to log into the server. (Up to 128 characters)	
			Select Folder	Select the specified folder in the mailbox using the IMAP4 protocol.	
			SSL/TLS	Send or receive an email via an email server that requires secure SSL/TLS communication.	

Level 3	Level 4	Level 5	Level 6	Descriptions	
E-mail/IFAX	Setup Server	POP3/IMAP4	Verify Cert.	Verify the SMTP Server Certificate automatically.	
			Auth. for POP3/IMAP4	Select the Security method for email notification.	
	Setup Mail RX	Auto Polling	Auto Polling	Auto Polling	Check the server for new messages automatically.
			Poll Frequency	Poll Frequency	Set the interval for checking new messages on the server.
			Header	-	Select the contents of the email header to be printed.
			Del/Read Error Mail	-	The POP3 server deletes error emails automatically. The IMAP4 server deletes error emails automatically after you read them.
			Notification	-	Receive notification messages.
	Setup Mail TX	Size Limit	Size Limit	Size Limit	Limit the size of email documents.
			Maximum Size (MB)	Maximum Size (MB)	
		Notification	-	Send notification messages.	
	Setup Relay	Relay Broadcast	Relay Broadcast	-	Relay a document to another fax machine.
		Relay Domain	Relay Domain	Relay ##	Register the Domain name.
		Relay Report	Relay Report	-	Print the relay Broadcast Report.
	Report Setting	E-mail	E-mail	Transmission	Select the initial setup for the Transmission Verification Report.
		IFAX	IFAX	Transmission	
	Manual Receive	-	-	-	Check the POP3 or IMAP4 server for new messages manually.
Web Connect Settings	Proxy Settings	Proxy Connection	-	Change the Web connection settings.	
		Address	-		
		Port	-		
		User Name	-		
		Password	-		
Web Based Mgmt	-	-	-	Enable or disable Web Based Management. If you enable this function, make sure you specify the connection method to use Web Based Management.	
Fax to Server	Fax to Server	-	-	Store the prefix/suffix address for the fax server in your Brother machine.	
	Prefix	-	-		
	Suffix	-	-		
IPsec	-	-	-	IPsec is an optional security feature of the IP protocol that provides authentication and encryption services. We recommend contacting your network administrator before changing this setting.	



Level 3	Level 4	Level 5	Level 6	Descriptions
IP Filter	-	-	-	Restrict access to your machine by enabling the IP filter.
Global Detect	Allow Detect	-	-	Enable or disable Global Detect, a function that detects and notifies the user when the user unintentionally connects to a global network.
	Reject Access	-	-	Disable connections to the global network.
Network Reset	-	-	-	Restore all network settings back to the factory settings.

### [Print Reports]

[All Settings] > [Print Reports]

Level 3	Level 4	Descriptions
Transmission	View on LCD	Display Transmission Verification Reports about sent faxes.
	Print Report	Print a Transmission Verification Report of your last transmission.
Address Book	-	Print a list of recipients stored in the Address Book.
Fax Journal	-	Print a list of information about your last 200 incoming and outgoing faxes. (TX means Transmit. RX means Receive.)
User Settings	-	Print a list of your User settings.
Printer Settings	-	Print a list of your Printer settings.
Network Configuration	-	Print a list of your Network settings.
Print File List	-	Print a list of data saved in the machine's memory.
Drum Dot Print	-	Print the Drum Dot Check Sheet.
WLAN Report	-	Print the wireless LAN connection results.

### [Machine Info.]

[All Settings] > [Machine Info.]

Level 3	Level 4	Level 5	Descriptions
Serial No.	-	-	Check your machine's serial number.
Firmware Version	Main Version	-	Check your machine's firmware version.
	Sub3 Version	-	
	Security Version	-	
Firmware Update	-	-	Update your machine's firmware to the latest version.
Firmware Update Setup	Update Method	-	Set the days and times for automatic firmware updates.
	Update Days	-	
	Update Time	-	
Page Counter	Total	Color	Check the total number of pages the machine has printed.
		Black and White	
	Fax	-	

Level 3	Level 4	Level 5	Descriptions
Page Counter	Copy	Color	Check the total number of pages the machine has printed.
		Black and White	
	Print	Color	
		Black and White	
	Other	Color	
		Black and White	
Parts Life <sup>1</sup>	Drum	-	Display the remaining life of the drum unit.
	Belt	-	Display the remaining life of the belt unit.
	Fuser	-	Display the remaining life of the fuser unit.
	Laser Unit	-	Display the remaining life of the laser unit.
	PF Kit MP	-	Display the remaining life of PF Kit MP.
	PF Kit 1	-	Display the remaining life of PF Kit 1.
	PF Kit 2 <sup>2</sup>	-	Display the remaining life of PF Kit 2.
	PF Kit 3 <sup>2</sup>	-	Display the remaining life of PF Kit 3.

<sup>1</sup> The parts life is approximate and may vary by type of use.

<sup>2</sup> Available if the Optional Tray(s) is installed.

## [Initial Setup]

### [All Settings] > [Initial Setup]

Level 3	Level 4	Descriptions
Date & Time	Date	Add the date and time on the screen and in the headings of the faxes you send.
	Time	
	Clock Type	Select the time format (12-hour or 24-hour).
	Auto Daylight (Available only for certain countries)	Set the machine to change automatically for Daylight Saving Time.
	Time Zone	Set your time zone.
Station ID	Fax	Enter your name and fax number so it appears on each page you fax.
	Tel	
	Name	
Tone/Pulse (Available only for certain countries)	-	Select the dialing mode.
Dial Tone	-	Shorten the dial tone detection pause.
Dial Prefix	-	Set a prefix number to be added before the fax number every time you dial.
Compatibility	-	Adjust the equalization for transmission difficulties. VoIP service providers offer fax support using various standards. If you regularly experience fax transmission errors, select Basic (for VoIP).

Level 3	Level 4	Descriptions
<b>Reset</b>	<b>Machine Reset</b>	Restore the machine settings that you have changed.
	<b>Network Reset</b>	Restore all network settings back to the factory settings.
	<b>Address Book &amp; Fax</b>	Erase all stored phone numbers, fax data, and fax settings.
	<b>All Settings</b>	Restore all the machine's settings back to the factory settings and delete the personal data in the memory. You cannot see the data on the machine.
	<b>Factory Reset</b>	Restore all the machine settings back to the factory settings and delete the personal data in the machine's memory. We recommend using this menu option if you want to delete all the data from the machine.
<b>Local Language</b> (Available only for certain countries)	-	Change your LCD language.

## [Admin Settings]



### [Admin Settings]

Level 2	Level 3	Level 4	Level 5	Descriptions	
<b>Home Screen Settings</b>	<b>Icons</b>	-	-	Delete icons, add icons, or move icons to other places on the Home screens.	
	<b>Background Color</b>	-	-	Change the background color on the touchscreen to White or Black.	
	<b>Tabs</b>	<b>Rename</b>	<b>Tab 1</b> ... <b>Tab 8</b>		Change the name of the tabs.
		<b>Main Home Screen</b>	-		Set your Main Home screen.
	<b>Display Information</b>	<b>IP Address</b>	-		Select whether or not to display your machine's IP Address on the Home screens.
	<b>Home Screen Settings Reset</b>	-	-		Restore Home screen settings back to the factory settings.
<b>Other Screen Settings</b>	<b>Copy Screen</b>	-	-	Set the default Copy screen settings.	
	<b>Scan Screen</b>	-	-	Set the default Scan screen settings.	
<b>Restriction Management</b>	<b>User Restriction Function</b>	-	-	Enable or disable restriction functions, for example, Secure Function Lock.	
	<b>Setting Lock</b>	-	-	Restrict unauthorized users from changing the machine's settings.	
	<b>Setting Lock Details</b>	-	-	Select the specific machine settings you want to restrict unauthorized users from changing.	
<b>Password</b>	-	-	-	Register or change the password to log on to the Admin Settings menu.	



## Related Information

- [Settings and Features Tables](#)


## Feature Tables (MFC-L8730CDW)

Related Models: MFC-L8730CDW

- >> [Wi-Fi Setup](#)
- >> [\[Toner\]](#)
- >> [\[Fax\] \(When Fax Preview is Off\)](#)
- >> [\[Fax\] \(When Fax Preview is On\)](#)
- >> [\[Copy\]](#)
- >> [\[Scan\]](#)
- >> [\[Shortcuts\]](#)
- >> [\[Secure Print\]](#)
- >> [\[Web\]](#)
- >> [\[Apps\]](#)
- >> [\[USB\]](#)
- >> [\[2 in 1 ID Copy\]](#)

### Wi-Fi Setup

#### (Wi-Fi Setup)

Level 2	Level 3	Descriptions
 (Wi-Fi Setup)	<b>Find Wi-Fi Network</b>	Configure your wireless network settings manually.
	<b>WPS/Push Button</b>	Configure your wireless network settings using the one-button push method.
	<b>WPS/PIN Code</b> <sup>1</sup>	Configure the wireless network settings using WPS with a PIN code.
	<b>Recover WLAN</b> <sup>1</sup>	Reset and restart your wireless network.
	<b>WLAN Status</b> <sup>1</sup>	Display the wireless network connection status.
	<b>TCP/IP</b> <sup>1</sup>	Change the TCP/IP settings.
	<b>MAC Address</b> <sup>1</sup>	Display your machine's MAC address.
	<b>Set to Default</b> <sup>1</sup>	Restore your machine's wireless network settings to the factory settings.
	<b>WLAN Enable</b> <sup>1</sup>	Turn the wireless interface on or off.

<sup>1</sup> Available after a Wi-Fi® connection has been configured.

### [Toner]

#### [Toner]

Level 2	Level 3	Descriptions
<b>Toner Life</b>	-	View the approximate remaining toner life for each color.
<b>Test Print</b>	-	Print a test page.
<b>Color Correction</b>	<b>Correction Start</b>	Initiate color calibration to check and correct colors.
	<b>Reset</b>	Reset the calibration parameters to the default settings.
<b>Toner Cartridge Check</b>	<b>Black</b> <b>Cyan</b>	View the installed toner cartridge information on the LCD, for example, if the toner cartridge is genuine.


Level 2	Level 3	Descriptions
	Magenta Yellow	

### [Fax] (When Fax Preview is Off)



### [Fax] (When Fax Preview is Off)


Level 3	Level 4	Level 5	Level 6	Descriptions
Redial / Pause	-	-	-	Redial the last number called. When you are entering a fax or telephone number on the touchscreen, Redial changes to Pause on the LCD. Press Pause when you need a delay while dialing numbers, such as access codes and credit card numbers. You can also store a pause when you set up addresses.
Hook	-	-	-	Press before dialing if you want to listen to make sure a fax machine has answered, and then press Fax Start.
Address Book	(Search:)	-	-	Search within the Address Book.
	Edit	Add New Address	Name Address	Store Address Book numbers, set up Group numbers for Broadcasting, change and delete Address Book numbers.
		Setup Groups	Name Add/ Delete	
		Change	(Select Address Book)	
		Delete	(Select Address Book)	
	(Select Address Book)	Apply	-	Start sending a fax using the Address Book.
Call History	Redial	-	-	Redial the last number you dialed.
	Outgoing Call	(Select Outgoing Call)	Apply Edit	Select a number from the Outgoing Call history, and then send a fax to it, add it to the Address Book, or delete it.
Fax Start	-	-	-	Send a fax.
Options	Fax Resolution	-	-	Set the resolution for outgoing faxes.
	Sender Subject	-	-	Edit the subject of an outgoing fax.
	Contrast	-	-	Adjust the contrast.
	2-sided Fax	-	-	Set the 2-sided scanning format.
	Glass Scan Size	-	-	Adjust the scan area of the scanner glass to the size of the document.
	Broadcasting	Add Number	Add Number	Add Number
	Add from Address book			

Level 3	Level 4	Level 5	Level 6	Descriptions	
 <b>Options</b>	<b>Broadcasting</b>	<b>Add Number</b>	<b>Search in Address book</b>	Send the same fax message to more than one fax number.	
	<b>Preview</b>	-	-	Preview a fax message before you send it.	
	<b>Delayed Fax</b>	<b>Delayed Fax</b>	-	-	Set the time of day the delayed faxes will be sent.
		<b>Set Time</b>	-		
	<b>Real Time TX</b>	-	-	-	Send a fax without using the memory.
	<b>Coverpage Setup</b>	<b>Coverpage Setup</b>	-	-	Set the machine to automatically send a pre-programmed cover page.
		<b>Coverpage Message</b>	-	-	
		<b>Total Pages</b>	-	-	
	<b>Overseas Mode</b>	-	-	-	Set to On if you have difficulty sending faxes overseas.
	<b>Call History</b>	-	-	-	Select a number from the Outgoing Call history, and then send a fax to it, add it to the Address Book, or delete it.
<b>Address Book</b>	-	-	-	Select the address of the recipient from the address book.	
<b>Set New Default</b>	-	-	-	Save your settings as the default.	
<b>Factory Reset</b>	-	-	-	Restore all settings back to the factory settings.	
<b>Save as Shortcut</b>	-	-	-	Save the current settings as a shortcut.	

### [Fax] (When Fax Preview is On)



### [Fax] (When Fax Preview is On)


Level 3	Level 4	Level 5	Descriptions
<b>Sending Faxes</b>	<b>Redial / Pause</b>	-	Redial the last number called. When you are entering a fax or telephone number on the touchscreen, Redial changes to Pause on the LCD. Press Pause when you need a delay while dialing numbers, such as access codes and credit card numbers. You can also store a pause when you set up addresses.
	<b>Hook</b>	-	Press before dialing if you want to listen to make sure a fax machine has answered, and then press Fax Start.
	<b>Address Book</b>	-	Select the address of the recipient from the address book.
	<b>Call History</b>	-	Select a number from the Outgoing Call history, and then send a fax to it, add it to the Address Book, or delete it.
	<b>Fax Start</b>	-	Send a fax.
	 <b>Options</b>	-	Select your settings.
	<b>Save as Shortcut</b>	-	Save the current settings as a shortcut.
<b>Received Faxes</b>	<b>Print/Delete</b>	<b>Print All (New Faxes)</b>	Print the new received faxes.

Level 3	Level 4	Level 5	Descriptions
Received Faxes	Print/Delete	Print All (Old Faxes)	Print the old received faxes.
		Delete All (New Faxes)	Delete the new received faxes.
		Delete All (Old Faxes)	Delete the old received faxes.
Address Book	-	-	Select the address of the recipient from the address book.
Call History	-	-	Select a number from the Outgoing Call history, and then send a fax to it, add it to the Address Book, or delete it.

[Copy]




[Copy]

Level 3	Level 4	Level 5	Descriptions	
Black Start	-	-	Make a black and white or grayscale copy.	
Color Start	-	-	Make a color copy.	
ID	-	-	Make a copy of your ID card.	
 Options	Quality	-	Select the Copy resolution for your document type.	
	Select Tray	-	Select the paper tray you want to use.	
	Enlarge/Reduce	100%	-	-
		Enlarge	-	Select an enlargement ratio for the next copy.
		Reduce	-	Select a reduction ratio for the next copy.
		Custom (25-400%)	-	Enter an enlargement or reduction ratio.
	Density	-	-	Adjust the density.
	Remove Background Color	-	-	Change the amount of background color that is removed.
	2-sided Copy	Layout	-	Turn off or turn on 2-sided copying and select flip on long edge or flip on short edge.
	2-sided Copy Page Layout	-	-	Select a page layout option when you make 2-sided N in 1 copies from a 2-sided document.
	Contrast	-	-	Adjust the contrast.
	Stack/Sort	-	-	Select to stack or sort multiple copies.
	2in1/1in1	-	-	If you select 2 in 1 (ID), you can select the layout options.
	Page Layout	-	-	Make N in 1 copies.
Auto Deskew	-	-	Set the machine to correct document skewing automatically.	
Color Adjust	Red	-	Adjust the color for copies.	
	Green	-		
	Blue	-		
Save as Shortcut	-	-	Save the current settings as a shortcut.	







[Scan]







[Scan]


Level 3	Level 4	Level 5	Level 6	Descriptions	
to USB	Other Scan to Actions	-	-	Scan documents to a USB flash drive.	
	 Options	2-sided Scan	-		
		Color Setting	-		
		Resolution	-		
		File Type	-		
		Document Size	-		
		Brightness	-		
		Contrast	-		
		File Name	-		
		File Name Style	-		
		File Size	-		
		Auto Crop	-		
		Auto Deskew	-		
		Skip Blank Page	-		
		Skip Blank Page Sensitivity	-		
		Remove Background Color	-		
		Margin Settings	-		
		Moire Reduction	-		
		Document Separation	Document Separation		
			Copies		
	Number of Pages				
	Color/Gray TIFF Compression	-			
	B&W TIFF Compression	-			
	Set New Default	-			
	Factory Reset	-			
	Save as Shortcut	-			
	Start	-			
to My E-mail	-	-	-	Scan a black and white or a color document to your email address.	
to My Folder	-	-	-	Send scanned data to your folder in the CIFS server on your local network or on the Internet.	
to PC	to File	Other Scan to Actions	-	Scan documents and save them to a folder on your computer.	



Level 3	Level 4	Level 5	Level 6	Descriptions			
to PC	to File	(Select USB or PC)	 Options	Scan documents and save them to a folder on your computer.			
			Save as Shortcut				
			Start				
	to OCR	Other Scan to Actions	(Select USB or PC)	-	Convert your scanned document to an editable text file.		
				 Options			
				Save as Shortcut			
		to Image	Other Scan to Actions	(Select USB or PC)		-	Scan photos or graphics into your graphics applications.
						 Options	
						Save as Shortcut	
	to E-mail	Other Scan to Actions	(Select USB or PC)	-	Send a scanned document as an email attachment.		
				 Options			
				Save as Shortcut			
to E-mail Server	Other Scan to Actions	-	-	Scan a black and white or a color document to the email address you want.			
	Manual	-	-				
	Address Book		-			-	
		(Search:)	-		-		
		Edit	-		-		
to FTP/SFTP	Other Scan to Actions	-	-	Send scanned data via FTP/SFTP.			
	(Select Profile name)	Preview	-				
		 Options	2-sided Scan				
		Color Setting					
		Resolution					
		File Type					
		Document Size					
		Brightness					
		Contrast					
		File Name					
		File Name Style					

Level 3	Level 4	Level 5	Level 6	Descriptions
to FTP/SFTP	(Select Profile name)	 Options	File Size	Send scanned data via FTP/SFTP.
			Auto Deskew	
			Skip Blank Page	
			Skip Blank Page Sensitivity	
			Remove Background Color	
			Margin Settings	
			Moire Reduction	
			Document Separation	
			Color/Gray TIFF Compression	
			B&W TIFF Compression	
			User Name	
			Preview	
		Save as Shortcut	-	
Start	-			
to Network	Other Scan to Actions	-	-	Send scanned data to a CIFS server on your local network or on the Internet.
	(Select Profile name)	Preview	-	
		 Options	2-sided Scan	
			Color Setting	
			Resolution	
			File Type	
			Document Size	
			Brightness	
			Contrast	
			File Name	
			File Name Style	
			File Size	
			Auto Deskew	
			Skip Blank Page	
			Skip Blank Page Sensitivity	



Level 3	Level 4	Level 5	Level 6	Descriptions
to Network	(Select Profile name)	 Options	Remove Background Color	Send scanned data to a CIFS server on your local network or on the Internet.
			Margin Settings	
			Moire Reduction	
			Document Separation	
			Color/Gray TIFF Compression	
			B&W TIFF Compression	
			User Name	
		Preview		
		Save as Shortcut	-	
Start	-			
to SharePoint	Other Scan to Actions	-	-	Send scanned data via a SharePoint server.
	(Select Profile name)	Preview	-	
		 Options	2-sided Scan	
			Color Setting	
			Resolution	
			File Type	
			Document Size	
			Brightness	
			Contrast	
			File Name	
			File Name Style	
			File Size	
			Auto Deskew	
			Skip Blank Page	
			Skip Blank Page Sensitivity	
			Remove Background Color	
			Margin Settings	
			Moire Reduction	
			Document Separation	

Level 3	Level 4	Level 5	Level 6	Descriptions
to SharePoint	(Select Profile name)	 Options	Color/Gray TIFF Compression	Send scanned data via a SharePoint server.
			B&W TIFF Compression	
			User Name	
			Preview	
		Save as Shortcut	-	
		Start	-	
to Web	-	-	-	Upload the scanned data to an Internet service.
WS Scan (Appears when you install a Web Services Scanner, which is displayed in your computer's Network explorer.)	Other Scan to Actions	-	-	Scan data using the Web Service protocol.
	Scan	-	-	
	Scan for E-mail	-	-	
	Scan for Fax	-	-	
	Scan for Print	-	-	

### [Shortcuts]

### + [Shortcuts]

Level 1	Level 2	Level 3	Descriptions	
+ Add Shortcut	Copy	Copy	Select the settings you want.	
		2 in 1 ID Copy		
	Fax	-	Select the settings you want.	
	Scan		to File	Scan a black and white or a color document to your computer.
			to OCR	Convert your scanned document to an editable text file.
			to Image	Scan a color picture into your graphics application.
			to USB	Scan documents to a USB flash drive.
			to E-mail	Scan a black and white or a color document into your email application.
			to E-mail Server	Scan a black and white or a color document to the email address you want.
			to Network	Send scanned data to a CIFS server on your local network or on the Internet.
			to FTP/SFTP	Send scanned data via FTP/SFTP.
	to SharePoint	Send scanned data via a SharePoint server.		
	Web	-	Connect the Brother machine to an Internet service.  Web services may have been added and service names may have been changed by	

Level 1	Level 2	Level 3	Descriptions
 Add Shortcut			the provider since this document was published.
	Apps	-	Connect the Brother machine to the Brother Apps service.
These lists appears when each Shortcut name is pressed for two seconds.	Rename	-	Change the shortcut name.
	Edit	-	Change the shortcut settings.
	Delete	-	Delete the shortcut.
	Register Card/NFC	-	Assign a shortcut to an IC card.
	Delete Card/NFC	-	Remove a shortcut from an IC card.
 Edit/ Delete	(Select shortcut button.)	Rename	Change the shortcut name.
		Edit	Change the shortcut settings.
		Delete	Delete the shortcut.
		Register Card/NFC	Assign a shortcut to an IC card.
		Delete Card/NFC	Remove a shortcut from an IC card.

### [Secure Print]



### [Secure Print]

Level 1	Level 2	Level 3	Descriptions
Secure Print	(Select User)	(Select Secure Print Job)	You can print data saved in the machine's memory when you enter your four-digit password. Active only when the machine has secure print data.

### [Web]



### [Web]

Level 1	Descriptions
Web	Connect the Brother machine to an Internet service.

### [Apps]



### [Apps]

Level 1	Descriptions
Apps	Connect the Brother machine to the Brother Apps service.

### [USB]



### [USB]

Level 1	Level 2	Descriptions
USB	Scan to USB	Scan documents to a USB flash drive.
	Direct Print	Print the data directly from a USB flash drive.

---

## [2 in 1 ID Copy]



### [2 in 1 ID Copy]

Level 1	Descriptions
2 in 1 ID Copy	Copy both sides of an identification card onto one page.



### Related Information

- [Settings and Features Tables](#)
-


## Feature Tables (DCP-L8630CDW)

Related Models: DCP-L8630CDW

- >> [Wi-Fi Setup](#)
- >> [\[Toner\]](#)
- >> [\[Copy\]](#)
- >> [\[Scan\]](#)
- >> [\[Shortcuts\]](#)
- >> [\[Secure Print\]](#)
- >> [\[Web\]](#)
- >> [\[Apps\]](#)
- >> [\[USB\]](#)
- >> [\[2 in 1 ID Copy\]](#)

### Wi-Fi Setup

#### (Wi-Fi Setup)

Level 2	Level 3	Descriptions
 (Wi-Fi Setup)	<b>Find Wi-Fi Network</b>	Configure your wireless network settings manually.
	<b>WPS/Push Button</b>	Configure your wireless network settings using the one-button push method.
	<b>WPS/PIN Code</b> <sup>1</sup>	Configure the wireless network settings using WPS with a PIN code.
	<b>Recover WLAN</b> <sup>1</sup>	Reset and restart your wireless network.
	<b>WLAN Status</b> <sup>1</sup>	Display the wireless network connection status.
	<b>TCP/IP</b> <sup>1</sup>	Change the TCP/IP settings.
	<b>MAC Address</b> <sup>1</sup>	Display your machine's MAC address.
	<b>Set to Default</b> <sup>1</sup>	Restore your machine's wireless network settings to the factory settings.
	<b>WLAN Enable</b> <sup>1</sup>	Turn the wireless interface on or off.

<sup>1</sup> Available after a Wi-Fi® connection has been configured.

### [Toner]

#### [Toner]


Level 2	Level 3	Descriptions
<b>Toner Life</b>	-	View the approximate remaining toner life for each color.
<b>Test Print</b>	-	Print a test page.
<b>Color Correction</b>	<b>Correction Start</b>	Initiate color calibration to check and correct colors.
	<b>Reset</b>	Reset the calibration parameters to the default settings.
<b>Toner Cartridge Check</b>	<b>Black</b> <b>Cyan</b> <b>Magenta</b>	View the installed toner cartridge information on the LCD, for example, if the toner cartridge is genuine.

Level 2	Level 3	Descriptions
	Yellow	

[Copy]




[Copy]

Level 3	Level 4	Level 5	Descriptions	
Black Start	-	-	Make a black and white or grayscale copy.	
Color Start	-	-	Make a color copy.	
ID	-	-	Make a copy of your ID card.	
 Options	Quality	-	Select the Copy resolution for your document type.	
	Select Tray	-	Select the paper tray you want to use.	
	Enlarge/Reduce	100%	-	-
		Enlarge	-	Select an enlargement ratio for the next copy.
		Reduce	-	Select a reduction ratio for the next copy.
		Custom (25-400%)	-	Enter an enlargement or reduction ratio.
	Density	-	Adjust the density.	
	Remove Background Color	-	Change the amount of background color that is removed.	
	2-sided Copy	Layout	Turn off or turn on 2-sided copying and select flip on long edge or flip on short edge.	
	2-sided Copy Page Layout	-	Select a page layout option when you make 2-sided N in 1 copies from a 2-sided document.	
	Contrast	-	Adjust the contrast.	
	Stack/Sort	-	Select to stack or sort multiple copies.	
	2in1/1in1	-	If you select 2 in 1 (ID), you can select the layout options.	
	Page Layout	-	Make N in 1 copies.	
Auto Deskew	-	Set the machine to correct document skewing automatically.		
Color Adjust	Red	-	Adjust the color for copies.	
	Green	-		
	Blue	-		
Save as Shortcut	-	-	Save the current settings as a shortcut.	




[Scan]









[Scan]



Level 3	Level 4	Level 5	Level 6	Descriptions
to USB	Other Scan to Actions	-	-	Scan documents to a USB flash drive.
	 Options	Color Setting	-	
		Resolution	-	
		File Type	-	



Level 3	Level 4	Level 5	Level 6	Descriptions	
to USB	 Options	Document Size	-	Scan documents to a USB flash drive.	
		Brightness	-		
		Contrast	-		
		File Name	-		
		File Name Style	-		
		File Size	-		
		Auto Crop	-		
		Auto Deskew	-		
		Skip Blank Page	-		
		Skip Blank Page Sensitivity	-		
		Remove Background Color	-		
		Margin Settings	-		
		Moire Reduction	-		
		Document Separation	Document Separation		
		Copies			
		Number of Pages			
Color/Gray TIFF Compression	-				
B&W TIFF Compression	-				
Set New Default	-				
Factory Reset	-				
Save as Shortcut	-	-			
Start	-	-			
to My E-mail	-	-	-	Scan a black and white or a color document to your email address.	
to My Folder	-	-	-	Send scanned data to your folder in the CIFS server on your local network or on the Internet.	
to PC	to File	Other Scan to Actions	-	Scan documents and save them to a folder on your computer.	
		(Select USB or PC)	 Options		
			Save as Shortcut		
		Start			
	to OCR	Other Scan to Actions	-		Convert your scanned document to an editable text file.
		(Select USB or PC)	 Options		
		Save as Shortcut			

Level 3	Level 4	Level 5	Level 6	Descriptions	
to PC	to OCR	(Select USB or PC)	Start	Convert your scanned document to an editable text file.	
	to Image	Other Scan to Actions (Select USB or PC)	 Options	Scan photos or graphics into your graphics applications.	
			Save as Shortcut		
			Start		
	to E-mail	Other Scan to Actions (Select USB or PC)	 Options	Send a scanned document as an email attachment.	
			Save as Shortcut		
Start					
to E-mail Server	Other Scan to Actions	-	-	Scan a black and white or a color document to the email address you want.	
	Manual	-	-		
	Address Book	 (Search:)	-		-
		Edit	-		-
		(Select Address Book)	-		-
to FTP/SFTP	Other Scan to Actions	-	-	Send scanned data via FTP/SFTP.	
	(Select Profile name)	Preview	-		
		 Options	Color Setting		
			Resolution		
			File Type		
			Document Size		
			Brightness		
			Contrast		
			File Name		
			File Name Style		
			File Size		
			Auto Deskew		
			Skip Blank Page		
			Skip Blank Page Sensitivity		
Remove Background Color					
Margin Settings					

Level 3	Level 4	Level 5	Level 6	Descriptions
to FTP/SFTP	(Select Profile name)	 Options	Moire Reduction	Send scanned data via FTP/SFTP.
			Document Separation	
			Color/Gray TIFF Compression	
			B&W TIFF Compression	
			User Name	
		Preview		
		Save as Shortcut	-	
		Start	-	
to Network	Other Scan to Actions	-	-	Send scanned data to a CIFS server on your local network or on the Internet.
	(Select Profile name)	Preview	-	
		 Options	Color Setting	
			Resolution	
			File Type	
			Document Size	
			Brightness	
			Contrast	
			File Name	
			File Name Style	
			File Size	
			Auto Deskew	
			Skip Blank Page	
			Skip Blank Page Sensitivity	
			Remove Background Color	
			Margin Settings	
			Moire Reduction	
			Document Separation	
			Color/Gray TIFF Compression	
			B&W TIFF Compression	
	User Name			


Level 3	Level 4	Level 5	Level 6	Descriptions
to Network	(Select Profile name)	 Options	Preview	Send scanned data to a CIFS server on your local network or on the Internet.
		Save as Shortcut	-	
		Start	-	
to SharePoint	Other Scan to Actions	-	-	Send scanned data via a SharePoint server.
	(Select Profile name)	Preview	-	
		 Options	Color Setting	
			Resolution	
			File Type	
			Document Size	
			Brightness	
			Contrast	
			File Name	
			File Name Style	
			File Size	
			Auto Deskew	
			Skip Blank Page	
			Skip Blank Page Sensitivity	
			Remove Background Color	
			Margin Settings	
			Moire Reduction	
			Document Separation	
			Color/Gray TIFF Compression	
		B&W TIFF Compression		
	User Name			
	Preview			
	Save as Shortcut	-		
	Start	-		
to Web	-	-	-	Upload the scanned data to an Internet service.
WS Scan (Appears when you install a Web Services Scanner,	Other Scan to Actions	-	-	Scan data using the Web Service protocol.
	Scan	-	-	

Level 3	Level 4	Level 5	Level 6	Descriptions
which is displayed in your computer's Network explorer.)	Scan for E-mail	-	-	Scan data using the Web Service protocol.
	Scan for Fax	-	-	
	Scan for Print	-	-	

[Shortcuts]

+ [Shortcuts]

Level 1	Level 2	Level 3	Descriptions
+ Add Shortcut	Copy	Copy	Select the settings you want.
		2 in 1 ID Copy	
	Scan	to File	Scan a black and white or a color document to your computer.
		to OCR	Convert your scanned document to an editable text file.
		to Image	Scan a color picture into your graphics application.
		to USB	Scan documents to a USB flash drive.
		to E-mail	Scan a black and white or a color document into your email application.
		to E-mail Server	Scan a black and white or a color document to the email address you want.
		to Network	Send scanned data to a CIFS server on your local network or on the Internet.
		to FTP/SFTP	Send scanned data via FTP/SFTP.
to SharePoint	Send scanned data via a SharePoint server.		
(These settings are available when each Shortcut name is pressed for two seconds.)	Web	-	Connect the Brother machine to an Internet service. Web services may have been added and service names may have been changed by the provider since this document was published.
	Apps	-	Connect the Brother machine to the Brother Apps service.
	Rename	-	Change the shortcut name.
	Edit	-	Change the shortcut settings.
	Delete	-	Delete the shortcut.
✎ Edit/ Delete	(Select shortcut button.)	Register Card/NFC	Assign a shortcut to an IC card.
		Delete Card/NFC	Remove a shortcut from an IC card.
✎ Edit/ Delete		Rename	Change the shortcut name.
		Edit	Change the shortcut settings.
	Delete	Delete the shortcut.	
		Register Card/NFC	Assign a shortcut to an IC card.

Level 1	Level 2	Level 3	Descriptions
 Edit/ Delete	(Select shortcut button.)	Delete Card/NFC	Remove a shortcut from an IC card.

## [Secure Print]



### [Secure Print]

Level 1	Level 2	Level 3	Descriptions
Secure Print	(Select User)	(Select Secure Print Job)	You can print data saved in the machine's memory when you enter your four-digit password. Active only when the machine has secure print data.

## [Web]



### [Web]

Level 1	Descriptions
Web	Connect the Brother machine to an Internet service.

## [Apps]



### [Apps]

Level 1	Descriptions
Apps	Connect the Brother machine to the Brother Apps service.

## [USB]



### [USB]

Level 1	Level 2	Descriptions
USB	Scan to USB	Scan documents to a USB flash drive.
	Direct Print	Print the data directly from a USB flash drive.

## [2 in 1 ID Copy]



### [2 in 1 ID Copy]

Level 1	Descriptions
2 in 1 ID Copy	Copy both sides of an identification card onto one page.



## Related Information

- [Settings and Features Tables](#)

## Feature Tables (MFC-L8930CDW/MFC-L8970CDW/MFC-EX575)

**Related Models:** MFC-L8930CDW/MFC-L8970CDW/MFC-EX575

- >> [Wired Network Setup](#)
- >> [Wi-Fi® Setup](#)
- >> [\[Toner\]](#)
- >> [\[Admin Settings\]](#)
- >> [\[Fax\] \(When Fax Preview is Off\)](#)
- >> [\[Fax\] \(When Fax Preview is On\)](#)
- >> [\[Copy\]](#)
- >> [\[Scan\]](#)
- >> [Shortcuts](#)
- >> [\[Secure Print\]](#)
- >> [\[Web\]](#)
- >> [\[Apps\]](#)
- >> [\[USB\]](#)
- >> [\[2 in 1 ID Copy\]](#)

### Wired Network Setup



#### (Wired Network Setup)

Level 3	Descriptions
TCP/IP	Change the TCP/IP settings.
Ethernet	Select the Ethernet link mode.
Wired Status	View the current wired status.
MAC Address	View the machine's MAC address.
Set to Default	Restore the wired network settings to the factory settings.
Wired Enable	Turn the Wired LAN interface on or off manually.

### Wi-Fi® Setup

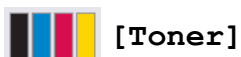


#### (Wi-Fi® Setup)

Level 3	Descriptions
Find Wi-Fi Network	Configure your wireless network settings manually.
WPS/Push Button	Configure your wireless network settings using the one-button push method.
WPS/PIN Code <sup>1</sup>	Configure the wireless network settings using WPS with a PIN code.
Recover WLAN <sup>1</sup>	Reset and restart your wireless network.
WLAN Status <sup>1</sup>	Display the wireless network connection status.
TCP/IP <sup>1</sup>	Change the TCP/IP settings.
MAC Address <sup>1</sup>	Display your machine's MAC address.
Set to Default <sup>1</sup>	Restore your machine's wireless network settings to the factory settings.
WLAN Enable <sup>1</sup>	Turn the wireless interface on or off.

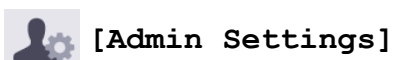
<sup>1</sup> Available after a Wi-Fi® connection has been configured.

**[Toner]**



Level 3	Level 4	Descriptions
Toner Life	-	View the approximate remaining toner life for each color.
Test Print	-	Print a test page.
Color Correction	Correction Start	Initiate color calibration to check and correct colors.
	Reset	Reset the calibration parameters to the default settings.
Toner Cartridge Check	-	View the installed toner cartridge information on the LCD, for example, if the toner cartridge is genuine.


**[Admin Settings]**



Level 2	Descriptions
Admin Settings	Change the screen settings and restrict use of the machine.

**[Fax] (When Fax Preview is Off)**



Level 3	Level 4	Level 5	Level 6	Descriptions
Redial / Pause	-	-	-	Redial the last number called. When you are entering a fax or telephone number on the touchscreen, Redial changes to Pause on the LCD. Press Pause when you need a delay while dialing numbers, such as access codes and credit card numbers. You can also store a pause when you set up addresses.
Hook	-	-	-	Press before dialing if you want to listen to make sure a fax machine has answered, and then press Fax Start.
Address Book	 (Search)	-	-	Search within the Address Book.
	Edit	Add New Address	Name Address	Store Address Book numbers, set up Group numbers for Broadcasting, change and delete Address Book numbers.
		Setup Groups	Name Add/ Delete	
		Change	(Select Address)	
		Delete	(Select Address)	
	(Select Address Book)	Apply	-	Start sending a fax using the Address Book.



Level 3	Level 4	Level 5	Level 6	Descriptions
Call History	Outgoing Call	(Select Outgoing Call)	Apply	Select a number from the Outgoing Call history, and then send a fax to it, add it to the Address Book, or delete it.
			Edit	
Fax Start	-	-	-	Send a fax.
Options	Fax Resolution	-	-	Set the resolution for outgoing faxes.
	Sender Subject	-	-	Edit the subject of an outgoing fax.
	Contrast	-	-	Adjust the contrast.
	2-sided Fax	-	-	Set the 2-sided scanning format.
	Glass Scan Size	-	-	Adjust the scan area of the scanner glass to the size of the document.
	Broadcasting	Add Number	Add Number	Send the same fax message to more than one fax number.
			Add from Address book	
			Search in Address book	
	Preview	-	-	Preview a fax message before you send it.
	Delayed Fax	Delayed Fax	-	Set the time of day the delayed faxes will be sent.
		Set Time	-	
	Real Time TX	-	-	Send a fax without using the memory.
	Coverpage Setup	Coverpage Setup	-	Set the machine to automatically send a pre-programmed cover page.
Coverpage Message		-		
Total Pages		-		
Overseas Mode	-	-	Set to On if you have difficulty sending faxes overseas.	
Set New Default	-	-	Save your settings as the default.	
Factory Reset	-	-	Restore all settings back to the factory settings.	
Save as Shortcut	-	-	-	Save the current settings as a shortcut.

### [Fax] (When Fax Preview is On)



### [Fax] (When Fax Preview is On)

Level 3	Level 4	Level 5	Descriptions
Sending Faxes	Redial / Pause	-	Redial the last number called. When you are entering a fax or telephone number on the touchscreen, Redial changes to Pause on the LCD. Press Pause when you need a delay while dialing numbers, such as access codes and credit card numbers. You can also store a pause when you set up addresses.
	Hook	-	Press before dialing if you want to listen to make sure a fax machine has answered, and then press Fax Start.
	Address Book	-	Select the address of the recipient from the address book.

Level 3	Level 4	Level 5	Descriptions
Sending Faxes	Call History	-	Select a number from the Outgoing Call history, and then send a fax to it, add it to the Address Book, or delete it.
	Fax Start	-	Send a fax.
	Options	-	Select your settings.
	Save as Shortcut	-	Save the current settings as a shortcut.
Received Faxes	Print/Delete	Print All (New Faxes)	Print the new received faxes.
		Print All (Old Faxes)	Print the old received faxes.
		Delete All (New Faxes)	Delete the new received faxes.
		Delete All (Old Faxes)	Delete the old received faxes.
Address Book	-	-	Select the address of the recipient from the address book.
Call History	-	-	Select a number from the Outgoing Call history, and then send a fax to it, add it to the Address Book, or delete it.

[Copy]



[Copy]

Level 3	Level 4	Level 5	Descriptions
Black Start	-	-	Make a black and white or grayscale copy.
Color Start	-	-	Make a color copy.
ID	-	-	Make a copy of your ID card.
Interrupt	-	-	Interrupt a print job with a copy job.
> (more Copy options)	Receipt	Black Start	Set the preset copy settings for copying a receipt.
		Color Start	
		ID	
		Interrupt	
		> (more Copy options)	
		Options	
		Save as Shortcut	
	Normal	Black Start	Set the preset copy settings for a Normal copy.
		Color Start	
		ID	
		Interrupt	
		> (more Copy options)	
		Options	
		Save as Shortcut	
2sided (1⇒2)	Black Start	Set the preset copy settings of 2-sided (1⇒2).	

Level 3	Level 4	Level 5	Descriptions
> (more Copy options)	2sided(1⇒2)	Color Start	Set the preset copy settings of 2-sided (1⇒2).
		ID	
		Interrupt	
		> (more Copy options)	
		Options	
		Save as Shortcut	
	2sided(2⇒2)	Black Start	Set the preset copy settings of 2-sided (2⇒2).
		Color Start	
		ID	
		Interrupt	
		> (more Copy options)	
		Options	
		Save as Shortcut	
	2in1 (ID)	Black Start	Set the preset copy settings of 2in1(ID).
		Color Start	
		ID	
		Interrupt	
		> (more Copy options)	
		Options	
		Save as Shortcut	
	2in1	Black Start	Set the preset copy settings of 2in1.
		Color Start	
		ID	
		Interrupt	
		> (more Copy options)	
		Options	
		Save as Shortcut	
	Paper Save	Black Start	Set the preset copy settings for Paper Save.
Color Start			
ID			
Interrupt			
> (more Copy options)			
Options			
Save as Shortcut			
Options	Quality	-	Select the Copy resolution for your document type.
	Select Tray	-	Select the paper tray you want to use.
	Enlarge/Reduce	100%	-
		Enlarge	Select an enlargement ratio for the next copy.
		Reduce	Select a reduction ratio for the next copy.
		Custom (25-400%)	Enter an enlargement or reduction ratio.
Density	-	Adjust the density.	

Level 3	Level 4	Level 5	Descriptions
Options	Remove Background Color	-	Change the amount of background color that is removed.
	2-sided Copy	Layout	Turn off or turn on 2-sided copying and select flip on long edge or flip on short edge.
	2-sided Copy Page Layout	-	Select a page layout option when you make 2-sided N in 1 copies from a 2-sided document.
	Contrast	-	Adjust the contrast.
	Stack/Sort	-	Select to stack or sort multiple copies.
	2in1/1in1	-	If you select 2 in 1 (ID), you can select the layout options.
	Page Layout	-	Make N in 1 copies.
	Auto Deskew	-	Set the machine to correct document skewing automatically.
	Color Adjust	Red Green Blue	Adjust the color for copies.
Save as Shortcut	-	-	Save the current settings as a shortcut.


[Scan]



[Scan]

Level 3	Level 4	Level 5	Level 6	Descriptions	
to USB	Scan Actions	-	-	Scan documents to a USB flash drive.	
	Options	2-sided Scan	-		
		Color Setting	-		
		Resolution	-		
		File Type	-		
		Document Size	-		
		Brightness	-		
		Contrast	-		
		File Name	-		
		File Name Style	-		
		File Size	-		
		Auto Crop	-		
		Auto Deskew	-		
		Skip Blank Page	-		
		Skip Blank Page Sensitivity	-		
Remove Background Color	-				

Level 3	Level 4	Level 5	Level 6	Descriptions	
to USB	Options	Margin Settings	-	Scan documents to a USB flash drive.	
		Moire Reduction	-		
		Document Separation	Document Separation		
			Copies		
			Number of Pages		
		Color/Gray TIFF Compression	-		
		B&W TIFF Compression	-		
		Set New Default	-		
	Factory Reset	-			
Save as Shortcut	-	-			
Start					
to My E-mail	-	-	-	Scan a black and white or a color document to your email address.	
to My Folder	-	-	-	Send scanned data to your folder in the CIFS server on your local network or on the Internet.	
to PC	to File	Scan Actions	-	Scan documents and save them to a folder on your computer.	
		(Select USB or PC)	Options		
			Save as Shortcut		
	Start				
	to OCR	Scan Actions	-	Convert your scanned document to an editable text file.	
		(Select USB or PC)	Options		
			Save as Shortcut		
	Start				
	to Image	Scan Actions	-	Scan photos or graphics into your graphics applications.	
		(Select USB or PC)	Options		
			Save as Shortcut		
	Start				
to E-mail	Scan Actions	-	Send a scanned document as an email attachment.		
	(Select USB or PC)	Options			
		Save as Shortcut			
Start					
to E-mail Server	Cancel	-	-	Scan a black and white or a color document to the email address you want.	
	Scan Actions	-	-		

Level 3	Level 4	Level 5	Level 6	Descriptions	
to E-mail Server	Manual	-	-	Scan a black and white or a color document to the email address you want.	
	Address Book	 (Search)	-		
		Edit	-		
		(Select Address Book)	-		
	Next	Destinations	-		
		Preview	-		
		Options	2-sided Scan		
			Color Setting		
			Resolution		
			File Type		
			Document Size		
			Sender Subject		
			Brightness		
			Contrast		
			File Name		
			File Name Style		
			File Size		
			Auto Deskew		
			Skip Blank Page		
			Skip Blank Page Sensitivity		
			Remove Background Color		
			Margin Settings		
			Moire Reduction		
			Document Separation		
	Color/Gray TIFF Compression				
	B&W TIFF Compression				
	Preview				
Set New Default					
Factory Reset					
Save as Shortcut	-				

Level 3	Level 4	Level 5	Level 6	Descriptions	
to E-mail Server	Next	Start	-	Scan a black and white or a color document to the email address you want.	
	Destinations	(Select Address)	-		
to FTP/SFTP	Scan Actions	-	-	Send scanned data via FTP/SFTP.	
	(Select Profile name)	Preview	-		
		Options	2-sided Scan		
			Color Setting		
			Resolution		
			File Type		
			Document Size		
			Brightness		
			Contrast		
			File Name		
			File Name Style		
			File Size		
			Auto Deskew		
			Skip Blank Page		
			Skip Blank Page Sensitivity		
			Remove Background Color		
			Margin Settings		
			Moire Reduction		
			Document Separation		
			Color/Gray TIFF Compression		
B&W TIFF Compression					
User Name					
Preview					
	Save as Shortcut	-			
	Start	-			
to Network	Scan Actions	-	-	Send scanned data to a CIFS server on your local network or on the Internet.	
	(Select Profile name)	Preview	-		
		Options	2-sided Scan		
			Color Setting		
			Resolution		
File Type					

Level 3	Level 4	Level 5	Level 6	Descriptions
to Network	(Select Profile name)	Options	Document Size	Send scanned data to a CIFS server on your local network or on the Internet.
			Brightness	
			Contrast	
			File Name	
			File Name Style	
			File Size	
			Auto Deskew	
			Skip Blank Page	
			Skip Blank Page Sensitivity	
			Remove Background Color	
			Margin Settings	
			Moire Reduction	
			Document Separation	
			Color/Gray TIFF Compression	
			B&W TIFF Compression	
		User Name		
Preview				
Save as Shortcut	-			
Start	-			
to SharePoint	(Select Profile name)	Scan Actions	-	Send scanned data via a SharePoint server.
		Preview	-	
		Options	2-sided Scan	
			Color Setting	
			Resolution	
			File Type	
			Document Size	
			Brightness	
			Contrast	
			File Name	
			File Name Style	
			File Size	
			Auto Deskew	




Level 3	Level 4	Level 5	Level 6	Descriptions
to SharePoint	(Select Profile name)	Options	Skip Blank Page	Send scanned data via a SharePoint server.
			Skip Blank Page Sensitivity	
			Remove Background Color	
			Margin Settings	
			Moire Reduction	
			Document Separation	
			Color/Gray TIFF Compression	
			B&W TIFF Compression	
			User Name	
		Preview		
		Save as Shortcut	-	
		Start	-	
to Web	-	-	-	Upload the scanned data to an Internet service.
WS Scan (Appears when you install a Web Services Scanner, which is displayed in your computer's Network explorer.)	Scan	-	-	Scan data using the Web Service protocol.
	Scan for E-mail	-	-	
	Scan for Fax	-	-	
	Scan for Print	-	-	
	Scan Actions	-	-	

## Shortcuts

### + (Shortcuts)

Level 3	Level 4	Level 5	Descriptions
+ Add Shortcut	Copy	-	Select the settings you want.
	Fax	-	Select the settings you want.
	Scan	to File	Scan documents and save them to a folder on your computer.
		to OCR	Convert your scanned document to an editable text file.
to Image		Scan photos or graphics into your graphics applications.	

Level 3	Level 4	Level 5	Descriptions
 Add Shortcut	Scan	to USB	Scan documents to a USB flash drive.
		to E-mail	Send a scanned document as an email attachment.
		to E-mail Server	Scan a black and white or a color document to the email address you want.
		to Network	Send scanned data to a CIFS server on your local network or on the Internet.
		to FTP/SFTP	Send scanned data via FTP/SFTP.
	to SharePoint	Send scanned data via a SharePoint server.	
These lists appears when each Shortcut name is pressed for two seconds.	Web	-	Connect the Brother machine to an Internet service.  Web services may have been added and service names may have been changed by the provider since this document was published.
	Apps	-	Connect the Brother machine to the Brother Apps service.
	Rename	-	Change the shortcut name.
	Edit	-	Change the shortcut settings.
	Delete	-	Delete the shortcut.
	Register Card/NFC	-	Assign a shortcut to an IC card.
	Delete Card/NFC	-	Remove a shortcut from an IC card.

### [Secure Print]



### [Secure Print]

Level 2	Descriptions
Secure Print	You can print data saved in the machine's memory or USB flash drive when you enter your password.  Active only when the machine or USB flash drive has secure print data.

### [Web]



### [Web]

Level 2	Descriptions
Web	Connect the Brother machine to an Internet service.

### [Apps]



### [Apps]

Level 2	Descriptions
Apps	Connect the Brother machine to the Brother Apps service.

---

## [USB]



### [USB]

Level 2	Level 3	Descriptions
USB	Scan to USB	Scan documents to a USB flash drive.
	Direct Print	Print the data directly from a USB flash drive.

---

## [2 in 1 ID Copy]



### [2 in 1 ID Copy]

Level 2	Descriptions
2 in 1 ID Copy	Copy both sides of an identification card onto one page.



### Related Information

- [Settings and Features Tables](#)
-

## Change Machine Settings Using Web Based Management

Web Based Management is a utility that uses a standard web browser to manage your machine using the Hyper Text Transfer Protocol (HTTP) or Hyper Text Transfer Protocol over Secure Socket Layer (HTTPS).

- [What is Web Based Management?](#)
- [Access Web Based Management](#)
- [Change the Login Password Using Web Based Management](#)
- [Set Up Your Machine's Address Book Using Web Based Management](#)

## What is Web Based Management?

Web Based Management is a utility that uses a standard web browser to manage your machine using the Hyper Text Transfer Protocol (HTTP) or Hyper Text Transfer Protocol over Secure Socket Layer (HTTPS).



- We recommend using the latest version of the following web browsers:
  - Microsoft Edge, Firefox, and Google Chrome™ for Windows
  - Safari, Firefox, and Google Chrome™ for Mac
  - Google Chrome™ for Android™
  - Safari and Google Chrome™ for iOS
- Ensure that JavaScript and Cookies are always enabled, regardless of which browser you use.
- Make sure your machine is On and connected to the same network as your computer, and that your network supports the TCP/IP protocol.

The screenshot displays the Brother web-based management interface. On the left is a dark blue sidebar with a navigation menu containing: Logout, Home, Status (highlighted), Auto Refresh Interval, General, Address Book, Fax, Copy, Print, Scan, Administrator, Online Functions, and Network. The main content area is white and features the Brother logo in the top right corner. The 'Status' section is active, showing 'Device Status' as 'Ready' with a green bar. Below this is the 'Automatic Refresh' section with radio buttons for 'Off' (selected) and 'On'. The 'Toner Level' section shows four vertical bars for BK (Black), C (Cyan), M (Magenta), and Y (Yellow). The 'Web Language' section has a dropdown menu set to 'Auto'. The 'Device Location' section has labels for 'Contact :' and 'Location :'. The 'Auto Refresh Interval' section is partially visible below the main content area.

The actual screen may differ from the screen shown above.



### Related Information

- [Change Machine Settings Using Web Based Management](#)

## Access Web Based Management

- We recommend using the latest version of the following web browsers:
  - Microsoft Edge, Firefox, and Google Chrome™ for Windows
  - Safari, Firefox, and Google Chrome™ for Mac
  - Google Chrome™ for Android™
  - Safari and Google Chrome™ for iOS
- Ensure that JavaScript and Cookies are always enabled, regardless of which browser you use.
- We recommend using the HTTPS security protocol when configuring settings using Web Based Management. If you use HTTP when configuring settings using Web Based Management, follow the screen prompts to switch to a secure HTTPS connection.
- When you use HTTPS for Web Based Management configuration, your browser will display a warning dialog box. To avoid displaying the warning dialog box, you can install a self-signed certificate to use SSL/TLS communication. For more information, see the *Security Features Guide*.
- The default password to manage this machine's settings is located on the back of the machine and marked "**Pwd**". Change the default password by following the on-screen instructions when you first log in. We recommend immediately changing the default password to protect your machine from unauthorized access.  
  
You can also find the default password in the Network Configuration Report or on the Printer Settings page.

>> [Access Web Based Management from your Web Browser](#)

>> [Access Web Based Management from Brother iPrint&Scan \(Windows/Mac\)](#)

>> [Access Web Based Management from Brother Utilities \(Windows\)](#)

### Access Web Based Management from your Web Browser

1. Start your web browser.
2. Type "https://machine's IP address" in your browser's address bar (where "machine's IP address" is your machine's IP address).

For example:

https://192.168.1.2

You will find your machine's IP address in the Network Configuration Report.

See [Print the Network Configuration Report](#).



- If you are using a Domain Name System or enable a NetBIOS name, you can type another name, such as "SharedPrinter" instead of the IP address.  
For example: https://SharedPrinter
- If you enable a NetBIOS name, you can also use the node name.  
For example: https://brn123456abcdef
- The NetBIOS name can be found in the Network Configuration Report or on the Printer Settings page.

3. If required, type the password in the **Login** field, and then click **Login**.



The default password to manage this machine's settings is located on the back of the machine and marked "**Pwd**". Change the default password by following the on-screen instructions when you first log in.

4. If you want to pin the navigation bar to the left side of the screen, click ☰ and then click 🌟.

You can now change the machine's settings.



If the machine is idle for a specified amount of time, the user is automatically logged out. Change the logout settings in the **Web Based Management Logout Time** menu.

## Access Web Based Management from Brother iPrint&Scan (Windows/Mac)

1. Start Brother iPrint&Scan.

- Windows

Launch  (**Brother iPrint&Scan**).

- Mac

In the **Finder** menu bar, click **Go > Applications**, and then double-click the iPrint&Scan icon.

The Brother iPrint&Scan screen appears.

2. If your Brother machine is not selected, click the **Add Machine / Select your Machine** button, and then select your model name from the list. Click **OK**.

3. Click the **Supplies/Machine Settings** button.



If the **Supplies/Machine Settings** window appears, click the **All Settings** link.

Web Based Management appears.

4. If required, type the password in the **Login** field, and then click **Login**.



The default password to manage this machine's settings is located on the back of the machine and marked "**Pwd**". Change the default password by following the on-screen instructions when you first log in.


5. If you want to pin the navigation bar to the left side of the screen, click  and then click .

You can now change the machine's settings.



- You can also access Web Based Management from Brother Mobile Connect for mobile devices.
- If the machine is idle for a specified amount of time, the user is automatically logged out. Change the logout settings in the **Web Based Management Logout Time** menu.

## Access Web Based Management from Brother Utilities (Windows)

1. Launch  (**Brother Utilities**), and then click the drop-down list and select your model name (if not already selected).

2. Click **Tools** in the left navigation bar, and then click **Machine Settings**.

Web Based Management appears.

3. If required, type the password in the **Login** field, and then click **Login**.



The default password to manage this machine's settings is located on the back of the machine and marked "**Pwd**". Change the default password by following the on-screen instructions when you first log in.

4. If you want to pin the navigation bar to the left side of the screen, click  and then click .

You can now change the machine's settings.



If the machine is idle for a specified amount of time, the user is automatically logged out. Change the logout settings in the **Web Based Management Logout Time** menu.

If you change the protocol settings, you must restart the machine after clicking **Submit** to activate the configuration.

After configuring the settings, click **Logout**.



## Related Information

- [Change Machine Settings Using Web Based Management](#)

### **Related Topics:**

- [Print the Network Configuration Report](#)
-



## Change the Login Password Using Web Based Management

The default password to manage this machine's settings is located on the back of the machine and marked "Pwd". Change the default password by following the on-screen instructions when you first log in. We recommend immediately changing the default password to protect your machine from unauthorized access.

1. Start Web Based Management. See [Access Web Based Management](#).
2. In the left navigation bar, click **Administrator > Login Password**.



- The default password to manage this machine's settings is located on the back of the machine and marked "Pwd".
- If the left navigation bar is not visible, start navigating from ☰.

3. To change the password, type your current password in the **Enter Old Password** field.
4. Following the on-screen **Login Password** guidelines, type your new password in the **Enter New Password** field.
5. Retype the new password in the **Confirm New Password** field.
6. Click **Submit**.



You can also change the lockout settings in the **Login Password** menu.



### Related Information

- [Change Machine Settings Using Web Based Management](#)

#### Related Topics:

- [Access Web Based Management](#)
- [Check Your Machine's Password](#)

## Set Up Your Machine's Address Book Using Web Based Management

**Related Models:** MFC-L8730CDW/MFC-L8930CDW/MFC-L8970CDW/MFC-EX575

- We recommend using the HTTPS security protocol when configuring settings using Web Based Management.
- When you use HTTPS for Web Based Management configuration, your browser will display a warning dialog box.

1. Start Web Based Management. See [Access Web Based Management](#).
2. In the left navigation bar, click **Address Book**.



If the left navigation bar is not visible, start navigating from ☰.

3. Click the target address numbers, and then add or update the Address Book information as needed.
4. Click **Submit**.



### Related Information

- [Change Machine Settings Using Web Based Management](#)

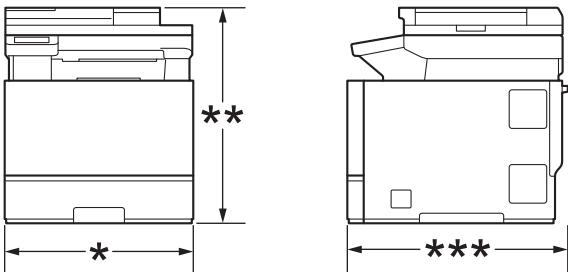
## Appendix

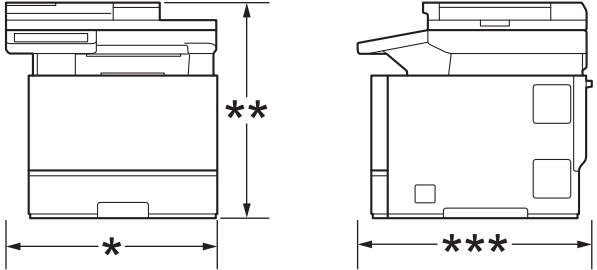
- [Specifications](#)
- [5 GHz Wi-Fi Network Channels Supported by Your Machine \(USA, Canada, Mexico and Caribbean countries only\)](#)
- [Supplies](#)
- [Important Information About Toner Cartridge Life](#)
- [Accessories](#)
- [Brother Help and Customer Support](#)

## Specifications

- >> General Specifications
- >> Document Size Specification
- >> Print Media Specifications
- >> Fax Specifications
- >> Copy Specification
- >> Scanner Specifications
- >> Printer Specifications
- >> Interface Specifications
- >> Direct Print Feature Specifications
- >> Supported Protocols and Security Features
- >> Computer Requirements Specifications

### General Specifications

<b>Printer Type</b>		Laser
<b>Print Method</b>		Electrophotographic Laser Printer
<b>Memory Capacity</b>	<b>Standard</b>	<ul style="list-style-type: none"> <li>• (DCP-L8630CDW/MFC-L8730CDW/MFC-L8930CDW) 512 MB</li> <li>• (MFC-L8970CDW/MFC-EX575) 1 GB</li> </ul>
<b>Machine Display</b>		<ul style="list-style-type: none"> <li>• (DCP-L8630CDW/MFC-L8730CDW) 3.5 in. (8.8 cm) TFT Color touchscreen LCD <sup>1</sup></li> <li>• (MFC-L8930CDW/MFC-L8970CDW/MFC-EX575) 7.0 in. (17.6 cm) TFT Color touchscreen LCD <sup>1</sup></li> </ul>
<b>Power Source</b>		110 V to 120 V AC 50/60 Hz
<b>Power Consumption</b> (Average)	<b>Peak</b>	Approximately 1,010 W
	<b>Printing</b> <sup>2</sup>	Approximately 600 W at 77°F (25°C)
	<b>Printing (Quiet Mode)</b> <sup>2</sup>	Approximately 340 W at 77°F (25°C)
	<b>Copying</b> <sup>2</sup>	Approximately 600 W at 77°F (25°C)
	<b>Copying (Quiet Mode)</b> <sup>2</sup>	Approximately 340 W at 77°F (25°C)
	<b>Ready</b> <sup>2</sup>	Approximately 60 W at 77°F (25°C)
	<b>Sleep</b> <sup>2</sup>	Approximately 8.4 W
	<b>Deep Sleep</b> <sup>2</sup>	Approximately 0.53 W
<b>Power Off</b> <sup>2 3 4</sup>		Approximately 0.03 W
<b>Dimensions</b> (Typical outline view) (DCP-L8630CDW/MFC-L8730CDW)		Unit: in. (mm) <ul style="list-style-type: none"> <li>• (DCP-L8630CDW/MFC-L8730CDW)                             <ul style="list-style-type: none"> <li>* : 15.9 (404)</li> <li>** : 18.1 (460)</li> <li>*** : 18.6 (473)</li> </ul> </li> <li>• (MFC-L8930CDW/MFC-L8970CDW/MFC-EX575)                             <ul style="list-style-type: none"> <li>* : 17.9 (454)</li> <li>** : 18.1 (460)</li> <li>*** : 19.9 (505)</li> </ul> </li> </ul>
		

(MFC-L8930CDW/MFC-L8970CDW/MFC-EX575)				
<b>Weight (with supplies)</b>		<ul style="list-style-type: none"> <li>• (DCP-L8630CDW) -</li> <li>• (MFC-L8730CDW) 56.5 lb (25.6 kg)</li> <li>• (MFC-L8930CDW) 58.4 lb (26.5 kg)</li> <li>• (MFC-L8970CDW) 58.8 lb (26.7 kg)</li> <li>• (MFC-EX575) 59.0 lb (26.8 kg)</li> </ul>		
<b>Noise Level</b>	<b>Sound Pressure</b> <sup>6</sup>	<b>Printing</b>	LpAm = 49 dB (A)	
		<b>Printing (Quiet Mode)</b>	LpAm = 44 dB (A)	
		<b>Ready</b>	Default: LpAm = 31 dB (A) <sup>5</sup>	
	<b>Sound Power</b> <sup>6</sup>	<b>Printing</b>	<b>Monochrome</b>	LWAc = 6.47 B (A)
			<b>Color</b>	LWAc = 6.47 B (A)
		<b>Printing (Quiet Mode)</b>	<b>Monochrome</b>	LWAc = 5.83 B (A)
<b>Color</b>			LWAc = 5.88 B (A)	
<b>Ready</b>	Default: LWAc = 4.43 B (A) <sup>7</sup>			
<b>Temperature</b>	<b>Operating</b>	From 50°F to 90.5°F (10°C to 32.5°C)		
	<b>Storage</b>	From 32°F to 104°F (0°C to 40°C)		
<b>Humidity</b>	<b>Operating</b>	20% to 80% (without condensation)		
	<b>Storage</b>	35% to 85% (without condensation)		
<b>Automatic Document Feeder (ADF)</b>		Up to 80 sheets For best results we recommend: <ul style="list-style-type: none"> <li>• Temperature: 68°F to 86°F (20°C to 30°C)</li> <li>• Humidity: 50% to 70%</li> <li>• Paper: 20 lb (80 g/m<sup>2</sup>)</li> </ul>		

<sup>1</sup> Measured diagonally.

<sup>2</sup> Measured when the machine is connected using the same network connection as the ENERGY STAR Ver. 3.2 test method.

<sup>3</sup> Measured according to IEC 62301 Edition 2.0.

<sup>4</sup> Power consumption varies slightly depending on the usage environment.

<sup>5</sup> If fan motor is functioning: LpAm = 35 dB (A)

<sup>6</sup> Measured in accordance with the method described in ISO 7779.

## Document Size Specification

<b>Document Size</b>	<b>ADF Width</b>	4.1 in. to 8.5 in. (105 mm to 215.9 mm)
	<b>ADF Length</b>	5.8 in. to 14.0 in. (148 mm to 355.6 mm)
	<b>Scanner Glass Width</b>	Up to 8.5 in. (215.9 mm)
	<b>Scanner Glass Length</b>	<ul style="list-style-type: none"> <li>• (DCP-L8630CDW/MFC-L8730CDW) Up to 11.7 in. (297 mm)</li> <li>• (MFC-L8930CDW/MFC-L8970CDW/MFC-EX575) Up to 14 in. (355.6 mm)</li> </ul>

## Print Media Specifications

<b>Paper Input</b>	<b>Paper Tray (Standard)</b>	<b>Paper Type</b>	Plain Paper, Letterhead, Colored Paper, Thin Paper, Recycled Paper
		<b>Paper Size</b>	A4, Letter, B5 (JIS), A5, A5 (Long Edge), B6 (JIS), A6, Executive, Legal, Mexico Legal, India Legal, Folio, 16K (195x270 mm), A4 Short (270 mm Paper)
		<b>Paper Weight</b>	16 to 28 lb (60 to 105 g/m <sup>2</sup> )
		<b>Maximum Paper Capacity</b>	Up to 250 sheets of 20 lb (80 g/m <sup>2</sup> ) Plain Paper
	<b>Multi-Purpose Tray (MP tray)</b>	<b>Paper Type</b>	Plain Paper, Letterhead, Colored Paper, Thin Paper, Thick Paper, Recycled Paper, Bond Paper, Label, Envelope, Env.Thin, Env.Thick, Glossy Paper
		<b>Paper Size</b>	<ul style="list-style-type: none"> <li>• Width: 3 to 8.5 in. (76.2 to 216 mm)</li> <li>• Length: 4.57 to 14 in. (116 to 355.6 mm)</li> <li>• Envelope: COM-10, DL, C5, Monarch</li> </ul>
		<b>Paper Weight</b>	16 to 43 lb (60 to 163 g/m <sup>2</sup> )
		<b>Maximum Paper Capacity</b>	<ul style="list-style-type: none"> <li>• Up to 50 sheets of 20 lb (80 g/m<sup>2</sup>) Plain Paper</li> <li>• Envelope: 10 envelopes up to 10 mm thick</li> </ul>
		<b>Paper Tray 2, 3 (Optional) <sup>1</sup></b>	<b>Paper Type</b>
	<b>Paper Size</b>		A4, Letter, B5 (JIS), A5, B6 (JIS), Executive, Legal, Mexico Legal, India Legal, Folio, 16K (195x270 mm), A4 Short (270 mm Paper)
	<b>Paper Weight</b>		16 to 28 lb (60 to 105 g/m <sup>2</sup> )
	<b>Maximum Paper Capacity</b>		<ul style="list-style-type: none"> <li>• LT-350CL Up to 250 sheets of 20 lb (80 g/m<sup>2</sup>) Plain Paper</li> <li>• LT-360CL Up to 520 sheets of 20 lb (80 g/m<sup>2</sup>) Plain Paper</li> </ul>
<b>Paper Output <sup>2</sup></b>	<b>Face Down Output Tray</b>	Up to 150 sheets of 20 lb (80 g/m <sup>2</sup> ) Plain Paper (face-down delivery to the face-down output paper tray)	
	<b>Face Up Output Tray</b>	One sheet (face up delivery to the face up output tray)	
<b>2-sided</b>	<b>Automatic 2-sided Printing</b>	<b>Paper Type</b>	Plain Paper, Letterhead, Colored Paper, Thin Paper, Recycled Paper, Glossy Paper
		<b>Paper Size</b>	Letter, Legal, Folio, Mexico Legal, India Legal

<b>2-sided</b>	<b>Automatic 2-sided Printing</b>	<b>Paper Weight</b>	16 to 28 lb (60 to 105 g/m <sup>2</sup> )
----------------	-----------------------------------	---------------------	---

- <sup>1</sup> (DCP-L8630CDW/MFC-L8730CDW) Maximum number of Lower Trays: Up to two LT-350CL Lower Trays.  
(MFC-L8930CDW/MFC-L8970CDW/MFC-EX575) Maximum number of Lower Trays: Up to two LT-350CL Lower Trays, or up to two LT-360CL Lower Trays, or a combination of one LT-350CL and one LT-360CL.
- <sup>2</sup> For labels, we recommend removing the printed sheets from the output paper tray immediately after they exit the machine to avoid the possibility of smudging.

## Fax Specifications

### NOTE

This feature is available for MFC models.

<b>Compatibility</b>		ITU-T Super Group 3
<b>Coding System</b>		MH / MR / MMR / JBIG
<b>Modem Speed</b>		33,600 bps (with Automatic Fallback)
<b>2-sided Print Receiving</b>		Yes
<b>Automatic 2-sided Sending</b>		Yes (from the ADF)
<b>Scanning Width</b>		Maximum 8.19 in. (208 mm)
<b>Printing Width</b>		Maximum 8.17 in. (207.4 mm)
<b>Gray Scale</b>		8 bit / 256 levels
<b>Resolution</b>	<b>Horizontal</b>	203 dpi
	<b>Vertical</b>	Standard: 98 dpi Fine: 196 dpi Super fine: 392 dpi Photo: 196 dpi
<b>Address Book</b>		300 Locations
<b>Groups</b>		Up to 20
<b>Broadcasting</b>		350 Locations
<b>Automatic Redial</b>		1 time at 5-minute intervals
<b>Memory Transmission</b>		Up to 500 pages <sup>1</sup>
<b>Out of Paper Reception</b>		Up to 500 pages <sup>1</sup>

<sup>1</sup> 'Pages' refers to the 'ITU-T TestChart Document No.1' (a typical business letter, Standard resolution, JBIG code).

## Copy Specification

<b>Copy Width</b>	Maximum 8.19 in. (208 mm)
<b>Automatic 2-sided Copy</b>	(MFC-L8730CDW/MFC-L8930CDW/MFC-L8970CDW/MFC-EX575) Yes (from the ADF)
<b>Sort Copy</b>	Yes
<b>Stack Copy</b>	Up to 999 pages
<b>Enlarge/Reduce</b>	25 to 400% (in increments of 1%)
<b>Resolution</b>	Maximum 1200 x 600 dpi
<b>First Copy Out Time <sup>1</sup></b>	<b>Monochrome</b> Less than 12.5 seconds
	<b>Color</b>

<b>First Copy Out Time</b> <sup>1</sup>	Less than 12.5 seconds
---	------------------------

<sup>1</sup> From Ready Mode and standard tray.

## Scanner Specifications

<b>Color / Black</b>	Yes / Yes
<b>TWAIN Compliant</b>	Yes (Windows 10 / Windows 11)
<b>WIA Compliant</b>	Yes (Windows 10 / Windows 11)
<b>Color Depth</b>	<ul style="list-style-type: none"> <li>• 48 bit color Processing (Input)</li> <li>• 24 bit color Processing (Output)</li> </ul>
<b>Gray Scale</b>	<ul style="list-style-type: none"> <li>• 16 bit color Processing (Input)</li> <li>• 8 bit color Processing (Output)</li> </ul>
<b>Resolution</b> <sup>1</sup>	<ul style="list-style-type: none"> <li>• Up to 19200 x 19200 dpi (interpolated)</li> <li>• Up to 1200 x 1200 dpi (from Scanner Glass)</li> <li>• Up to 600 x 600 dpi (from the ADF)</li> </ul>
<b>Scanning Width</b>	Maximum 8.27 in. (210 mm)
<b>Automatic 2-sided Scanning</b>	(MFC-L8730CDW/MFC-L8930CDW/MFC-L8970CDW/MFC-EX575) Yes (from the ADF)

<sup>1</sup> Maximum 600 × 600 dpi scanning with the WIA driver in Windows 10 and Windows 11.

## Printer Specifications

<b>Automatic 2-sided Print</b> <sup>1</sup>	Yes
<b>Emulation</b>	PCL6, BR-Script3, PDF Version 2.0
<b>Resolution</b>	600 x 600 dpi, 2,400 dpi class (2400 x 600) quality
<b>Print Speed</b> <sup>2 3</sup>	<b>1-sided Print</b>
	<b>Monochrome</b> Up to 33 pages/minute (Letter size) Up to 31 pages/minute (A4 size)
	<b>Color</b> Up to 33 pages/minute (Letter size) Up to 31 pages/minute (A4 size)
	<b>2-sided Print</b>
	<b>Monochrome</b> Up to 21 sides per minute (Up to 10.5 sheets per minute) (Letter size) Up to 20 sides per minute (Up to 10 sheets per minute) (A4 size)
	<b>Color</b> Up to 21 sides per minute (Up to 10.5 sheets per minute) (Letter size) Up to 20 sides per minute (Up to 10 sheets per minute) (A4 size)
<b>First Print Time</b> <sup>4 5 6 7</sup>	<b>Monochrome</b> Less than 9.9 seconds
	<b>Color</b> Less than 9.9 seconds

<sup>1</sup> The default setting is 2-sided in the USA and some other countries.

<sup>2</sup> The print speed may change depending on the type of document you print.

<sup>3</sup> The print speed may be slower when the machine is connected by wireless LAN.



- 4 Printing from Ready mode and standard tray.
- 5 Length of time from when the machine is started until paper output is complete (except when the machine is turned on or when an error is fixed).
- 6 May vary when calibration or registration is in progress.
- 7 This applies when printing on A4- or Letter-size paper from the standard tray. However, the First Print Time could be longer depending on the paper size and the amount of print data.

## Interface Specifications

<b>USB</b> <sup>1 2</sup>	Hi-Speed USB 2.0 Use a USB 2.0 interface cable (TypeA/B) that is no more than 6 feet (2 meters) long.
<b>LAN</b>	10Base-T/100Base-TX/1000Base-T <sup>3</sup>
<b>Wireless LAN</b>	<b>5 GHz</b> IEEE 802.11a/n (Infrastructure Mode) IEEE 802.11a/n (Wi-Fi Direct) <b>2.4 GHz</b> IEEE 802.11b/g/n (Infrastructure Mode) IEEE 802.11g/n (Wi-Fi Direct)
<b>NFC</b> <sup>4</sup> (MFC-L8730CDW/MFC-L8930CDW/ MFC-L8970CDW/MFC-EX575)	Yes

- 1 Your machine has a USB 2.0 Hi-Speed interface. The machine can also be connected to a computer that has a USB 1.1 interface.
- 2 Third party USB hub devices are not supported.
- 3 Use a Category 5e (or greater) network cable.
- 4 When you connect an external IC card reader, use a HID class driver supported device.

## Direct Print Feature Specifications

<b>Compatibility</b>	PDF version2.0, JPEG, TIFF (scanned by Brother models), PRN-GDI (created by the machine's own printer driver), PRN-PS (created by the machine's own printer driver)
<b>Interface</b>	USB direct interface: Front x1, Rear x1 (MFC-L8970CDW/MFC-EX575)

## Supported Protocols and Security Features

Supported protocols and security features may differ depending on the model.

### Ethernet

10Base-T/100Base-TX/1000Base-T

### Wireless LAN (5GHz)

IEEE 802.11a/n (Infrastructure Mode), IEEE 802.11a/n (Wi-Fi Direct)

### Wireless LAN (2.4GHz)

IEEE 802.11b/g/n (Infrastructure Mode), IEEE 802.11g/n (Wi-Fi Direct)

### Protocols (IPv4)

ARP, RARP, BOOTP, DHCP, APIPA (Auto IP), WINS/NetBIOS name resolution, DNS Resolver, mDNS, LLMNR responder, LPR/LPD, Custom Raw Port/Port9100, POP3, SMTP Client, IPP/IPPS, FTP Client and Server, CIFS Client, TELNET Server, SNMPv1/v2c/v3, HTTP/HTTPS server, TFTP client and server, ICMP, Web Services (Print/Scan), SNTTP Client, LDAP, LDAPS, IMAP4, Syslog

### Protocols (IPv6)

NDP, RA, DNS resolver, mDNS, LLMNR responder, LPR/LPD, Custom Raw Port/Port9100, IPP/IPPS, POP3, SMTP Client, FTP Client and Server, CIFS Client, TELNET Server, SNMPv1/v2c/v3, HTTP/HTTPS server, TFTP client and server, ICMPv6, Web Services (Print/Scan), SNTTP Client, LDAP, LDAPS, IMAP4, Syslog

## Network Security (Wired)

APOP, SMTP-AUTH, SSL/TLS (IPP, HTTP, SMTP, POP3, IMAP4, FTP, LDAP), SNMP v3, 802.1x (EAP-MD5, EAP-FAST, PEAP, EAP-TLS, EAP-TTLS), OAuth (SMTP, POP3, IMAP4), Kerberos, IPsec

## Network Security (Wireless)

APOP, SMTP-AUTH, SSL/TLS (IPP, HTTP, SMTP, POP3, IMAP4, FTP, LDAP), SNMP v3, 802.1x (EAP-FAST, PEAP, EAP-TLS, EAP-TTLS), OAuth (SMTP, POP3, IMAP4), Kerberos, IPsec

## Wireless Network Security

WEP 64/128 bit, WPA-PSK (TKIP/AES), WPA2-PSK (TKIP/AES), WPA3-SAE (AES) (Wi-Fi Direct supports WPA2-PSK (AES) only)

## Wireless Certification

Wi-Fi CERTIFIED, WPA3-Enterprise/Personal, Wi-Fi Protected Setup, Wi-Fi Direct

## Computer Requirements Specifications

Supported Operating Systems And Software Functions

Computer Platform & Operating System Version		Computer Interface			Processor	Hard Disk Space to Install <sup>1</sup>	
		USB <sup>2</sup>	Wired LAN	Wireless LAN		For Drivers	For Applications (including Drivers)
Windows Operating System	Windows 10 Home / 10 Pro / 10 Education / 10 Enterprise <sup>3 4</sup>	Printing PC Fax <sup>5</sup> Scanning			32 bit (x86) or 64 bit (x64) processor	80 MB	2.0 GB
	Windows 11 Home / 11 Pro / 11 Education / 11 Enterprise <sup>3 4</sup>				64 bit (x64) processor		
	Windows Server 2016	Printing Scanning	Printing		64 bit (x64) processor	80 MB	80 MB
	Windows Server 2019						
	Windows Server 2022						
Mac Operating System <sup>6</sup>	macOS v13	Printing PC Fax (Send) <sup>5</sup> Scanning			64bit processor	N/A	500 MB
	macOS v14						
	macOS v15						
ChromeOS™		Printing Scanning			N/A	N/A	N/A
Linux (Supported Package Management System: dpkg, rpm) <sup>7</sup>		Printing PC Fax (Send) <sup>5</sup> Scanning			32bit (x86) or 64bit (x64) processor	20 MB	20 MB

<sup>1</sup> An Internet connection is required to install the software.

<sup>2</sup> Third party USB ports are not supported.

<sup>3</sup> For WIA, 1200x1200 resolution.

<sup>4</sup> PaperPort™ 14SE supports Windows 10 and Windows 11.

<sup>5</sup> PC Fax supports black and white only.

<sup>6</sup> macOS Disclaimer

---

AirPrint capable: Printing, scanning, or PC faxing (Send) via macOS requires the use of AirPrint. Mac drivers are not provided for this machine.

7 The driver is known to work on the following Linux Distributions:

Red Hat Enterprise Linux 8.6 64bit, Red Hat Enterprise Linux 9.1 64bit, Fedora 39 64bit, Mageia 9 32bit, Mageia 9 64bit, openSUSE 15.5 64bit, SUSE Enterprise15-SP4 64bit, Debian 12.2.0 32bit, Debian 12.2.0 64bit, Ubuntu MATE 18.04 32bit, Ubuntu 22.04 64bit, Ubuntu 23.10 64bit, Linux Mint 21.2 64bit, Ubuntu 24.04 64bit.

For the latest driver updates, go to your model's **Downloads** page at [support.brother.com/downloads](https://support.brother.com/downloads).

For the latest supported OS, go to your model's **Supported OS** page at [support.brother.com/os](https://support.brother.com/os).

All trademarks, brand and product names are the property of their respective companies.



## Related Information

- [Appendix](#)

## 5 GHz Wi-Fi Network Channels Supported by Your Machine (USA, Canada, Mexico and Caribbean countries only)

When connecting your machine to a 5 GHz Wi-Fi network, make sure your wireless LAN access point/router is set to one of the channels available in your country and listed in the table below (recommended channel: 5.18 - 5.24 GHz). For more information about changing the channel setting, see the instructions supplied with your wireless LAN access point/router.

Wi-Fi 5 GHz Channels	5.18 - 5.24 GHz (36/40/44/48)
	5.26 - 5.32 GHz (52/56/60/64)
	5.5 - 5.72 GHz (100/104/108/112/116/132/136/140/144)
	5.745 - 5.825 GHz (149/153/157/161/165)



### Related Information

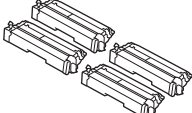
- [Appendix](#)

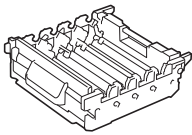
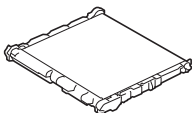
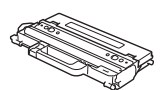
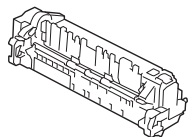
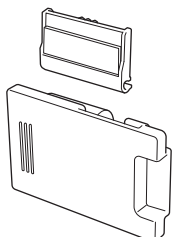
## Supplies

When the time comes to replace supplies, such as the toner cartridge or drum unit, an error will appear on your machine's control panel. For more information about the supplies for your machine, visit [go.brother/original](http://go.brother/original) or contact your local Brother dealer.



The Supply Order Number (No.) varies depending on your country and region.

Supply Items	Supply Order No.	Approximate Life (Page Yield)	Applicable Models
<b>Toner Cartridge</b> 	Standard Toner: <ul style="list-style-type: none"> <li>Black: TN635BK</li> <li>Cyan: TN635C</li> <li>Magenta: TN635M</li> <li>Yellow: TN635Y</li> </ul>	<ul style="list-style-type: none"> <li>Black: Approximately 3,000 pages<sup>1</sup><sub>2</sub></li> <li>Cyan / Magenta / Yellow: Approximately 1,800 pages<sup>1</sup><sub>2</sub></li> </ul>	MFC-L8730CDW/ MFC-L8930CDW/ MFC-L8970CDW/MFC-EX575
	High Yield Toner: <ul style="list-style-type: none"> <li>Black: TN635XLBK</li> <li>Cyan: TN635XLC</li> <li>Magenta: TN635XLM</li> <li>Yellow: TN635XLY</li> </ul>	<ul style="list-style-type: none"> <li>Black: Approximately 5,500 pages<sup>1</sup><sub>2</sub></li> <li>Cyan / Magenta / Yellow: Approximately 4,500 pages<sup>1</sup><sub>2</sub></li> </ul>	MFC-L8730CDW/ MFC-L8930CDW/ MFC-L8970CDW/MFC-EX575
	Super High Yield Toner: <ul style="list-style-type: none"> <li>Black: TN635XXLBK</li> <li>Cyan: TN635XXLC</li> <li>Magenta: TN635XXLM</li> <li>Yellow: TN635XXLY</li> </ul>	<ul style="list-style-type: none"> <li>Black: Approximately 7,500 pages<sup>1</sup><sub>2</sub></li> <li>Cyan / Magenta / Yellow: Approximately 6,500 pages<sup>1</sup><sub>2</sub></li> </ul>	MFC-L8930CDW/ MFC-L8970CDW/MFC-EX575
	Ultra High Yield Toner: <ul style="list-style-type: none"> <li>Black: TN637BK</li> <li>Cyan: TN637C</li> <li>Magenta: TN637M</li> <li>Yellow: TN637Y</li> </ul>	<ul style="list-style-type: none"> <li>Black: Approximately 10,000 pages<sup>1</sup><sub>2</sub></li> <li>Cyan / Magenta / Yellow: Approximately 10,000 pages<sup>1</sup><sub>2</sub></li> </ul>	MFC-L8970CDW/MFC-EX575

Supply Items	Supply Order No.	Approximate Life (Page Yield)	Applicable Models
	Starter Toner: (Supplied with your machine)	<ul style="list-style-type: none"> <li>Black: Approximately 3,000 pages<sup>1</sup><sub>2</sub></li> <li>Cyan / Magenta / Yellow: Approximately 1,800 pages<sup>1</sup><sub>2</sub></li> </ul>	MFC-L8730CDW/ MFC-L8930CDW
		<ul style="list-style-type: none"> <li>Black: Approximately 5,500 pages<sup>1</sup><sub>2</sub></li> <li>Cyan / Magenta / Yellow: Approximately 4,500 pages<sup>1</sup><sub>2</sub></li> </ul>	MFC-L8970CDW
		<ul style="list-style-type: none"> <li>Black: Approximately 7,500 pages<sup>1</sup><sub>2</sub></li> <li>Cyan / Magenta / Yellow: Approximately 6,500 pages<sup>1</sup><sub>2</sub></li> </ul>	MFC-EX575
<b>Drum Unit</b> 	DR635CL	Approximately 30,000 pages <sup>3</sup>	MFC-L8730CDW/ MFC-L8930CDW/ MFC-L8970CDW/MFC-EX575
<b>Belt Unit</b> 	BU635CL	Approximately 50,000 pages <sup>4</sup>	MFC-L8730CDW/ MFC-L8930CDW/ MFC-L8970CDW/MFC-EX575
<b>Waste Toner Box</b> 	WT229CL	Approximately 50,000 pages <sup>5</sup>	MFC-L8730CDW/ MFC-L8930CDW/ MFC-L8970CDW/MFC-EX575
<b>Fuser Unit</b> 	FD-5000 115V	Approximately 100,000 pages <sup>6</sup>	MFC-L8730CDW/ MFC-L8930CDW/ MFC-L8970CDW/MFC-EX575
<b>Paper Feeding Kit for the Multi-purpose (MP) Tray</b> 	PF-M5000	Approximately 50,000 pages <sup>7</sup>	MFC-L8730CDW/ MFC-L8930CDW/ MFC-L8970CDW/MFC-EX575

<sup>1</sup> The approximate cartridge yield is declared in accordance with ISO/IEC 19798.

- 
- 2 Letter or A4 size single-sided pages
  - 3
    - Approximately 30,000 pages based on one page per job (A4/letter single-sided pages)
    - Approximately 50,000 pages based on three pages per job (A4/letter single-sided pages)

The number of pages may be affected due to a variety of factors including but not limited to media type and media size.
  - 4
    - Approximately 50,000 pages based on one page per job (A4/letter single-sided pages)
    - Approximately 100,000 pages based on three pages per job (A4/letter single-sided pages)

The number of pages may be affected due to a variety of factors including but not limited to media type and media size.
  - 5 Approximately 50,000 pages based on five pages per job (A4/Letter single-sided pages). The number of pages may be affected due to a variety of factors including but not limited to media type and media size.
  - 6 Approximately 100,000 pages based on five pages per job (A4/Letter single-sided pages). The number of pages may be affected due to a variety of factors including but not limited to media type and media size.
  - 7 Approximately 50,000 pages based on five pages per job (A4/Letter single-sided pages). The number of pages may be affected due to a variety of factors including but not limited to media type and media size.



## Related Information

- [Appendix](#)
-

## Important Information About Toner Cartridge Life

### Toner Cartridge Life

This product detects the life of the toner cartridges using the following two methods:

- Detection by counting the dots of each color that are necessary to create an image
- Detection by counting the rotations of the developer roller

The print operation will stop when either of the upper limits is reached. The upper limit is set above the number of dots or rotations that would be required for the cartridge to perform consistently with its advertised page yield. This function is intended to reduce the risk of poor print quality and damage to the machine.

There are two messages that indicate when the toner is low or needs replacing: Toner Low and Replace Toner.

Toner Low is displayed on the LCD when the number of dots or rotations of the developer roller nears its maximum count. Replace Toner is displayed on the LCD when the number of dots or rotations of the developer roller reaches its maximum count.

### Color Correction

The number of developer roller rotations that is counted may not only be for normal operations, such as printing and copying, but also for machine adjustments, such as Color Calibration and Color Registration.

#### Color Calibration (Adjustment of Color Density)

To obtain stable print quality, the density of each toner cartridge needs to be maintained at a fixed value. If the density balance between the colors cannot be kept, the tint becomes unstable, and accurate color reproduction becomes impossible. The toner density can change due to chemical changes to the toner that affect its electrical charge, deterioration of the developer unit, and temperature and humidity levels in the machine. During calibration, the density level adjustment test patterns are printed on the belt unit.

Calibration is mainly performed at the following times:

- When you start the Color Correction from the control panel to improve the color density.
- When you replace a used toner cartridge or drum unit with a new one.
- When the machine detects that the ambient temperature and humidity have changed.
- When a specified number of printed pages is reached.

#### Color Registration (Correction of Color Position)

In this machine, the drum unit and developer unit are prepared for black (K), yellow (Y), magenta (M), and cyan (C), respectively. Four color images are combined into one image, and therefore color registration errors (for example, how the four color images align) may occur. When registration errors occur, registration correction test patterns are printed on the belt unit.

Registration is mainly performed at the following times:

- When you start the Color Correction to clear the color registration error.
- When a specified number of printed pages is reached.



### Related Information

- [Appendix](#)



## Accessories

Availability of accessories may vary depending on your country or region. For more information about the accessories for your machine, visit [go.brother/original](http://go.brother/original) or contact your Brother dealer or Brother Customer Service.

Order No.	Items	Applicable Models
LT-350CL	Lower Tray (250 sheets)	MFC-L8730CDW/MFC-L8930CDW/MFC-L8970CDW/ MFC-EX575
LT-360CL	Lower Tray (520 sheets)	MFC-L8930CDW/MFC-L8970CDW/MFC-EX575



### Related Information

- [Appendix](#)

## Brother Help and Customer Support

### IMPORTANT

For technical help, you must call the country where you bought the machine. Calls must be made **from within** that country.

>> [FAQs \(Frequently Asked Questions\)](#)

>> [For Customer Service](#)

>> [Ordering Accessories and Supplies](#)

### FAQs (Frequently Asked Questions)

For more information on your Brother machine, visit the Brother support website at [support.brother.com](http://support.brother.com). For additional help and tips, go to your model's **FAQs & Troubleshooting** page; for the latest drivers and software, go to your model's **Downloads** page.

### For Customer Service

**In USA:**

[www.brother-usa.com/support](http://www.brother-usa.com/support)

1-877-BROTHER (1-877-276-8437)

**In Canada:**

[www.brother.ca/support](http://www.brother.ca/support)

### Service Center Locator (USA only)

For the location of a Brother authorized service center, call 1-877-BROTHER (1-877-276-8437) or visit [www.brother-usa.com/support](http://www.brother-usa.com/support).

### Service Center Locations (Canada only)

For the location of a Brother authorized service center, visit [www.brother.ca/support](http://www.brother.ca/support).

### Ordering Accessories and Supplies

We recommend Genuine Brother supplies, which are available at most Brother retailers. If you cannot find the supplies you need and have a Visa, MasterCard, Discover, American Express credit card, or PayPal account, you can order directly from Brother. Visit us online for a complete selection of the Brother accessories and supplies that are available for purchase.

### NOTE

In Canada, only Visa and MasterCard are accepted.

**In USA:**

1-877-BROTHER (1-877-276-8437)

[www.brother-usa.com/support](http://www.brother-usa.com/support)

**In Canada:**

[www.brother.ca](http://www.brother.ca)



## Related Information

- [Appendix](#)

**brother**



USA/CAN  
Version A