

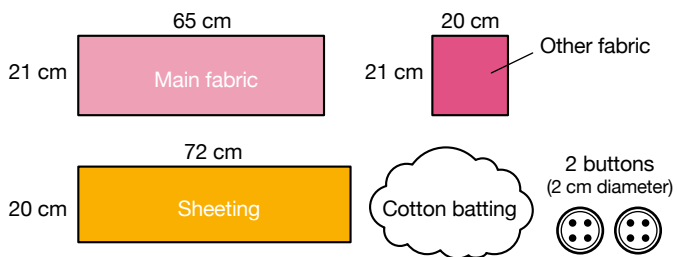
Buttressed mini cushion

1. If there are no instructions to use a specific stitch, use the straight stitch.
2. Presser foot "J" (straight stitch), overcasting foot "G" and buttonhole foot "A" will be used.

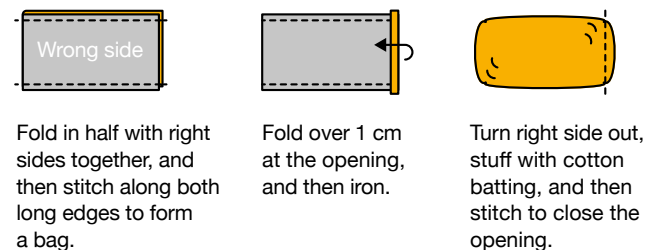


Materials

- Main fabric (65 cm wide × 21 cm)
- Other fabric (20 cm wide × 21 cm)
- Sheeting (72 cm wide × 20 cm)
- Buttons (2 cm diameter) – 2 pieces
- Cotton batting



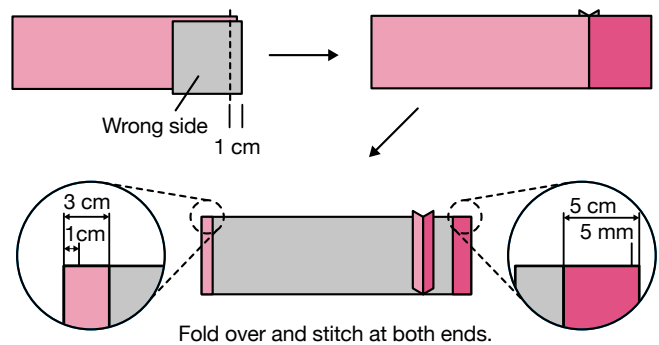
1 Make a plain cushion with the sheeting.



2 Sew the edges of the main fabric and other fabric with an overcasting stitch.



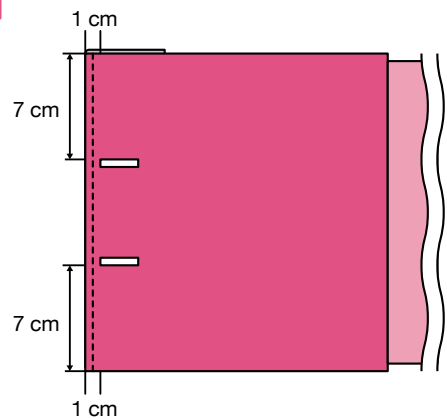
3 Sew together the main fabric and other fabric with their right sides together.



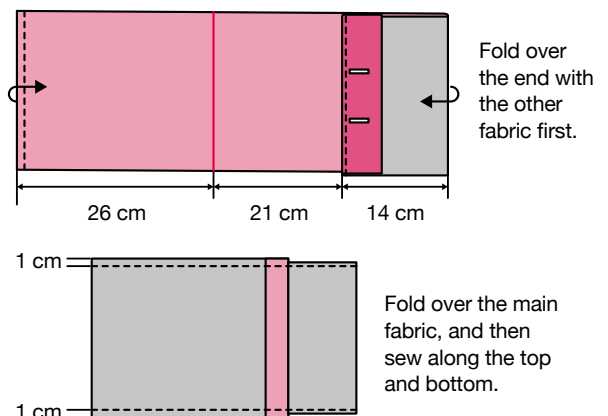
4 Sew buttonholes in the folded portion of the other fabric.



For details on free-arm sewing, refer to the manual for your sewing machine.



5 Fold over, and then stitch along the top and bottom.



6 Turn right side out, sew on buttons, and then insert the plain cushion to complete the project.

