

b-PAC Application Examples

[Print from Web Application]

Brother Industries, Ltd.

Purpose:

This document explains the system configuration and coding examples to print labels from the web.

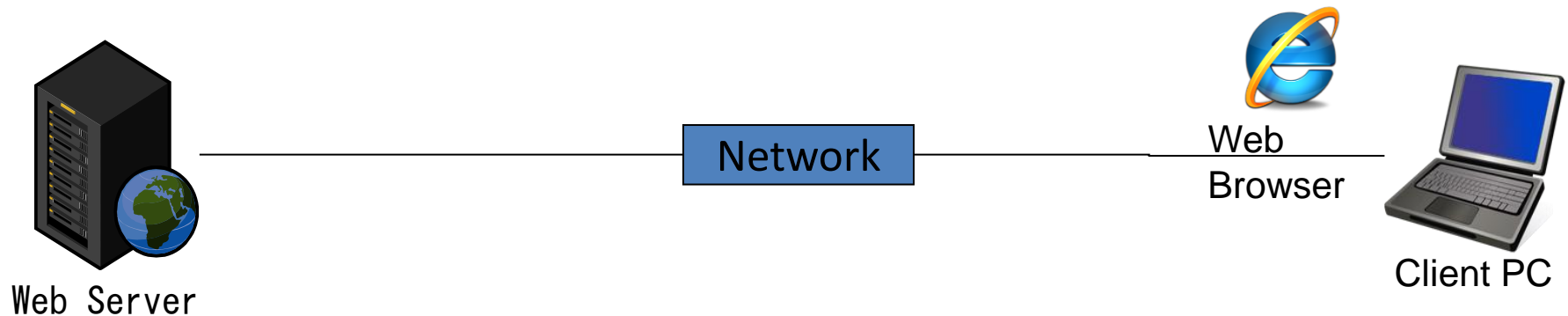
Subject:

Developers who has knowledge about web programming.

Application software which uses web system.

It will be work by showing and running HTML or script on the web browser which comes from the Web Server.

In this document, we explain about how to print labels from web application.



The solutions explained in this document use b-PAC to print labels. Based on this, the following components are required:

- (1) b-PAC (COM component)
- (2) Windows PC to run b-PAC
- (3) Label printer which support b-PAC
- (4) Printer driver for the label printer

For (2) Windows PC, you have 2 options that either to install b-PAC in the Web Server side or in the web browser of Client PC side.

Need to decide which PC to install (4) printer driver depends on system configurations.

Brother b-PAC Extension will become necessary in some environments.

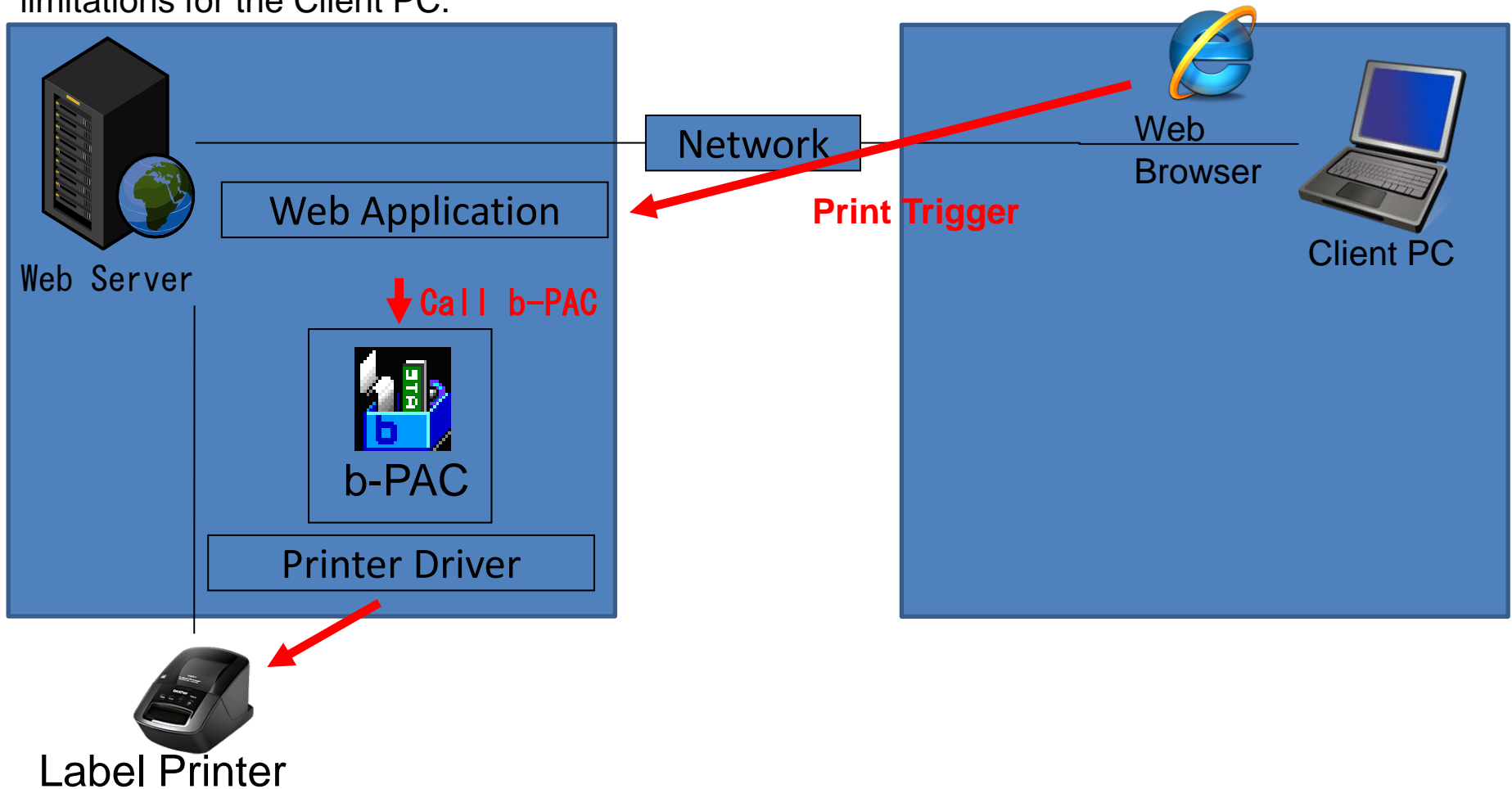
System Configuration	Requirement for Server	Development Language for Server	Requirement for Client	Development Language for Client
<p><u>#1</u> Printing labels from the printer connected to the server</p>	<p>Installation Code execution Label Printer Windows Only</p>	<p>Anything that can call COM (ex: C#, Java, PHP, Ruby)</p>	<p>None</p>	
<p><u>#2</u> Printing labels from the printer connected to the client PC (Server generates the print command)</p>	<p>Installation Code execution Windows Only</p>	<p>Anything that can call COM (ex: C#, Java, PHP, Ruby)</p>	<p>Label Printer</p>	
<p><u>#3</u> Printing labels from client side script</p>	<p>None</p>	<p>Unrestricted</p>	<p>Installation Code execution Label Printer Windows Only Internet Explorer</p>	<p>VBScript, Jscript</p>
			<p>Chrome, Firefox, Microsoft Edge (Brother b-PAC Extension will become necessary)</p>	<p>JavaScript</p>

System Configuration #1

Printing labels from the Label Printer connected to the Web Server.

Printer Driver and b-PAC are installed in the Web Server. (Server OS is Windows only.)

In the Web Server, any development language is fine if the language can call COM. No limitations for the Client PC.



ASP.NET(VB)

Example to use ASP.NET server.

Execute b-PAC on the server.

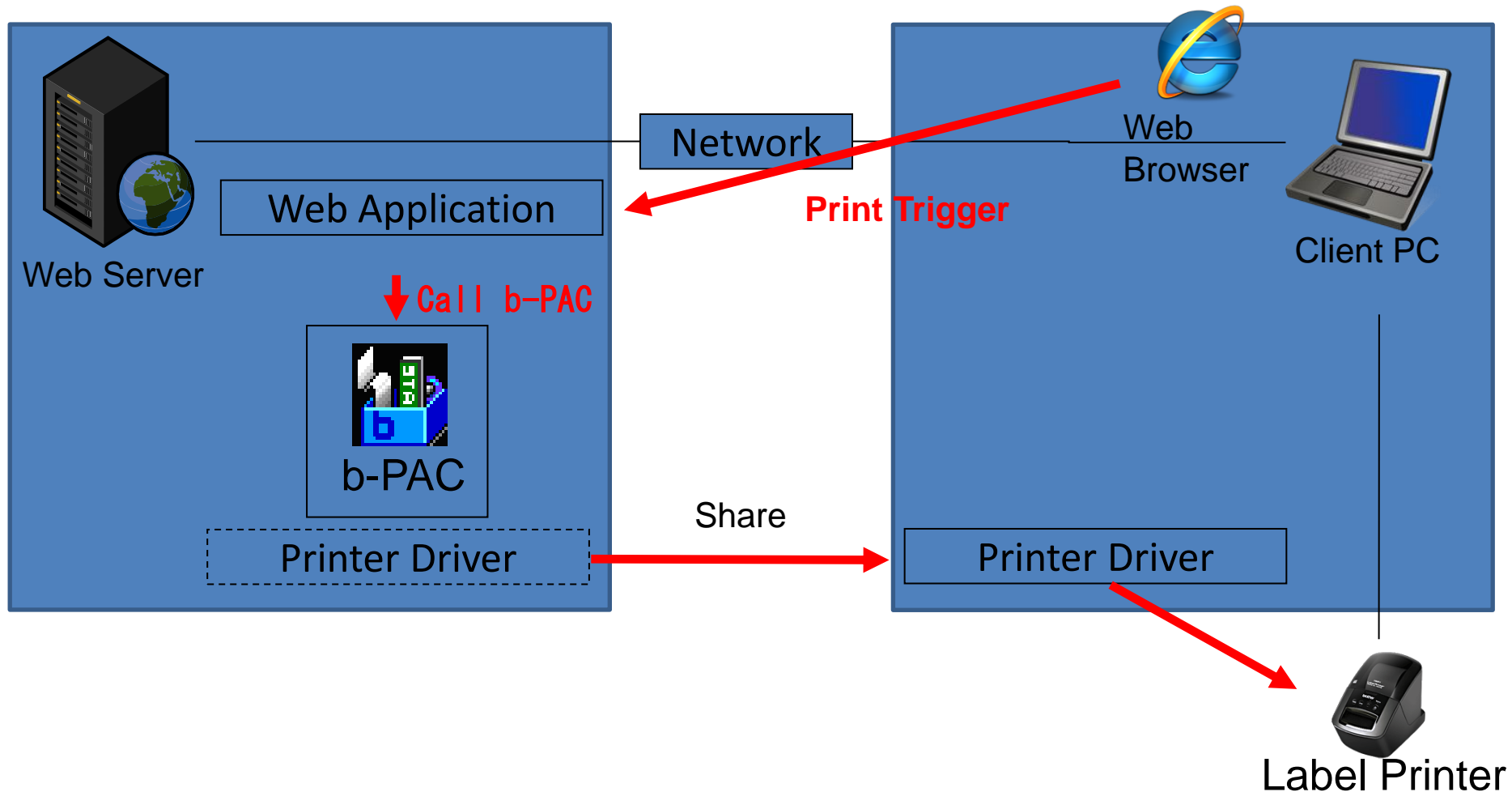
```
Dim objDoc As bpac.DocumentClass = New bpac.DocumentClass
Try
    objDoc.Open(strLbxPath)
    objDoc.GetObject("txtName").Text = "web print"
    objDoc.StartPrint("", bpac.PrintOptionConstants.bpoDefault)
    objDoc.PrintOut(1, 0)
    objDoc.EndPrint()
Catch ex As Exception
    Me.lblErr.Text = "error" & vbTab & ex.Message
End Try
objDoc.Close()
```

System Configuration #2

Printing labels from the LabelPrinter connected to the Client PC.

It is required to found from the Web Server side by sharing the local Label Printer.

How to develop software is the same as system configuration #1. (Server OS is Windows only.)



The difference between configuration #1 and configuration #2 is that output destination printer is shared printer.

Therefore, the code of configuration #1 can be applied to configuration #2 as it is.

System Configuration #3

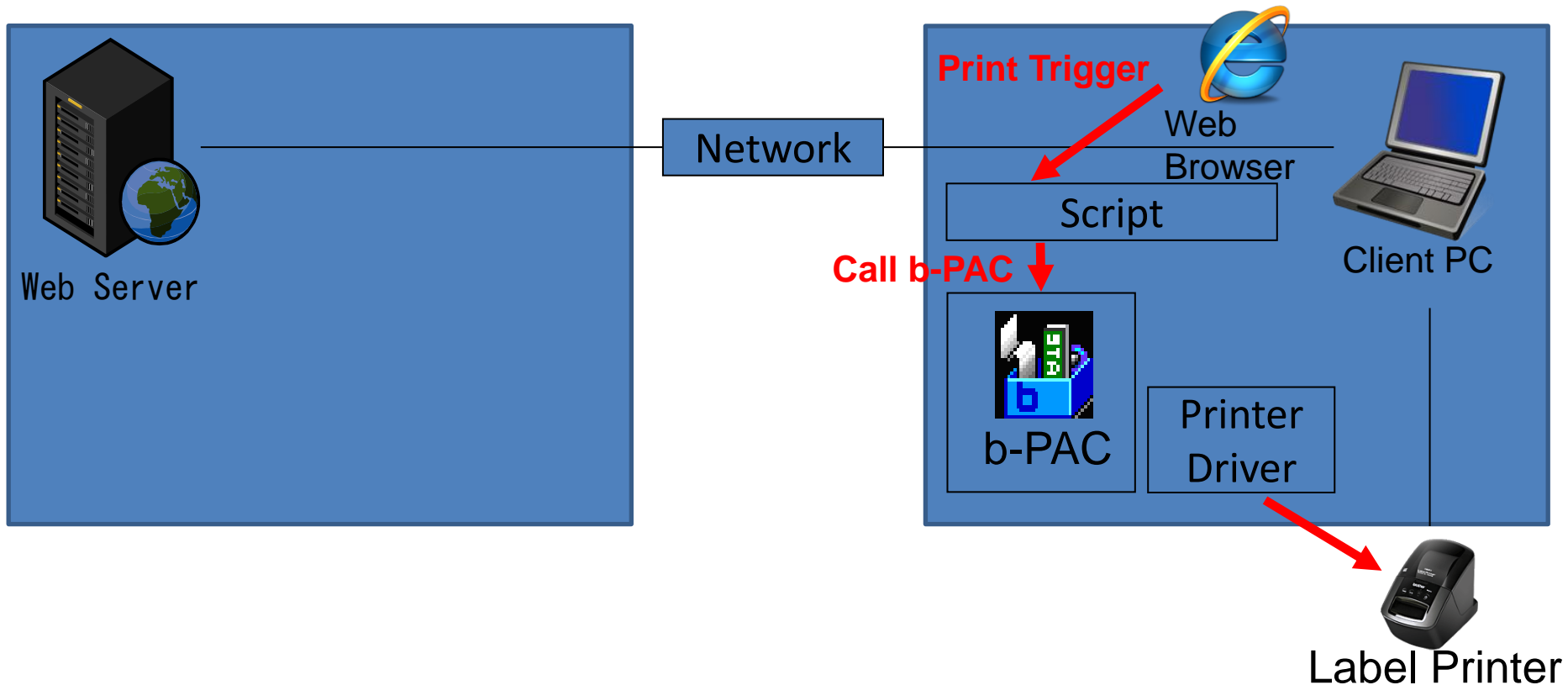
Printing labels from the Label Printer connected to the Client PC.

Installing b-PAC SDK in the Client PC (Client PC is Windows only)

VBScript or Jscript is available when using Internet Explorer.

JavaScript is available when using Chrome, Firefox, and Microsoft Edge.

※In this case, Brother b-PAC Extension will become necessary.



Source code: Example 1

HTML which show in Web Browser (Internet Explorer) on Client PC side.
Then you can print by using b-PAC solution.

VBScript

```
<html>
<head>
<meta http-equiv="x-ua-compatible" content="IE=8">
<title> Asset Labelling </title>
<script LANGUAGE="VBScript">
<!--
Sub DoPrint()
  Dim TheForm
  Set TheForm = Document.ValidForm
  Dim ObjDoc
  Set ObjDoc = CreateObject("bpac.Document")
  bRet = ObjDoc.Open("c:\temp\Asset Name.lbx")
  If ( bRet <> False ) Then
```

Source code: Example 1(cont.)

```
ObjDoc.GetObject("Name").Text = TheForm.FixedAsset.Value
  ObjDoc.StartPrint "DocumentName", 0
  ObjDoc.PrintOut 1, 0
  ObjDoc.EndPrint
End If
Set ObjDoc = Nothing
End Sub
-->
</script>
</head>
<body>
<form NAME="ValidForm">
Asset Name :<INPUT VALUE="asset1" NAME="FixedAsset" SIZE=30><br>
<input TYPE="button" VALUE="Print" onClick="DoPrint">
</form>
</body>
</html>
```

Source code: Example 2

JScript

```
<html>
<head>
<title> Asset Labelling </title>
<script LANGUAGE="JavaScript">
<!--
function DoPrint() {
    var theForm = document.getElementById("ValidForm");
    var objDoc = new ActiveXObject("bpac.Document");
    if (objDoc.Open("c:\%temp%\Asset Name.lbx") != false) {
        objDoc.GetObject("Name").Text = theForm.FixedAsset.value;
        objDoc.StartPrint("", 0);
        objDoc.PrintOut(1, 0);
        objDoc.EndPrint();
        objDoc.Close();
    }
}
```

Source code: Example 2(cont.)

```
}  
}  
-->  
</script>  
</head>  
<body>  
<form Id="ValidForm">  
Asset Name :<INPUT VALUE="asset1" NAME="FixedAsset" SIZE=30><br>  
<input TYPE="button" VALUE="Print" onClick="DoPrint()">  
</form>  
</body>  
</html>
```

Source code: Example 3

HTML which show in Web Browser (Chrome, Firefox, or Microsoft Edge) on Client PC side.
Then you can print by using b-PAC solution.

JavaScript

```
<html>
<head>
<title> > Asset Labelling </title>
<script type="module">
import * as bpac from './bpac.js' ;
window.DoPrint = async function DoPrint () {
  const theForm = document.getElementById("ValidForm");
  const objDoc = bpac.IDocument;
  const ret = await objDoc.Open("c:¥¥temp¥¥Asset Name.lbx");
  if (ret != false) {
    const objName = await objDoc.GetObject("objName");
    objName.Text = theForm.FixedAsset.value;
    objDoc.StartPrint("", 0);
    objDoc.PrintOut(1, 0);
    objDoc.EndPrint();
    objDoc.Close();
  }
}
```

Source code: Example 3(cont.)

```
    }  
  }  
</script>  
</head>  
<body>  
<form Id="ValidForm">  
Asset Name:<INPUT VALUE="asset1" NAME="FixedAsset" SIZE=30><br>  
<input TYPE="button" VALUE="Print" onClick="DoPrint()">  
</form>  
</body>  
</html>
```


If you have any questions, please access to the following web pages.

b-PAC: <http://www.brother.co.jp/eng/dev/bpac/>

How to: <http://www.brother.co.jp/eng/dev/bpac/use/>

FAQ: <http://www.brother.co.jp/eng/dev/bpac/faq/>